



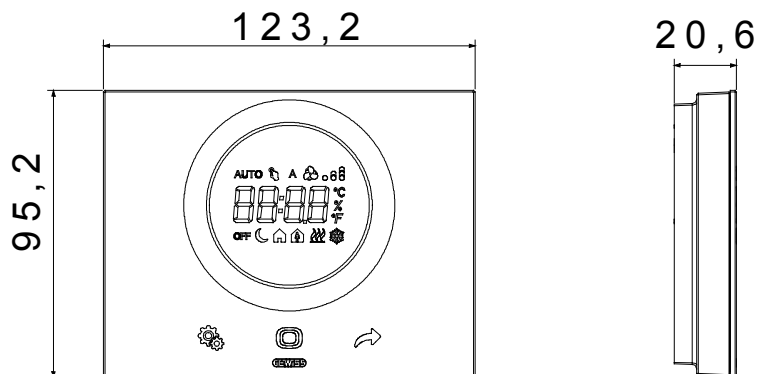
Wall-mounting thermostat to control heating/cooling and humidification/dehumidification systems on the BUS and manage the temperature in manual mode or on 3 levels (comfort, pre-comfort, economy). Control algorithms for 2- or 4-way systems: two points (ON/OFF or 0%-100%), proportional-integral (PWM or continuous adjustment), fan coil (max. 3 speeds or with continuous adjustment 0%-100%). Includes 1 input for external NTC temperature sensor (for room temperature measurement compensation or for underfloor heating protection).

Equipped with a user interface with touch commands (capacitive) on technopolymer plate and backlit display. The thermostat has built-in proximity, temperature and humidity sensors. The device supports KNX Secure. To be configured with ETS software. The thermostat can be combined with KNX flush-mounting timed thermostats or Smart Gateway for local temperature adjustment: in this case, the thermostat acts as a slave by executing the temperature sent by the master. Available a "hotel" operating mode with simplified functionalities and user interface for hotel applications.

Equipped with front plate and with coupling terminal for connection to bus. Wall fixing with wall plugs or screw fixing on rectangular 3 modules boxes (centre distance 83.5 mm). Plate material: technopolymer.

Category	Thermo ICE KNX wall mounting thermostat	Communication	KNX Secure
Colour	Black	Material	Front plate in technopolymer
Installation	Wall mount	Power supply	110-230V ac - 50/60Hz
Current absorbed by power supply	< 3 W (in stand-by < 1 W)	Interfaces	KNX TP1
Current absorbed by KNX bus (mA)	10	Measured sizes	Temperature, humidity, one additional input for external NTC temperature sensor
No. input channels	1 for external NTC sensor (type: NTC 10K, es. GW 10 800)	Input voltage	-
Wiring terminals	With screw	Terminal tightening capacity stranded cables (mm <sup>2</sup> )	Max 1,5 mm <sup>2</sup>
Terminal tightening capacity solid cables (mm <sup>2</sup> )	Max 1,5 mm <sup>2</sup>	Working temperature	-5 ÷ +45 °C
Relative humidity (non-condensative)	Max 93%	Stocking temperature	-25 ÷ +70 °C
Connection to the KNX bus	KNX bus terminal	Dimensions LxHxD (mm)	123,2x95,2x20,6
IP degree	IP20	Standard	Low Voltage Directive 2014/35/EU (LVD) Electromagnetic Compatibility Directive 2014/30/EU (EMC) Directive RoHS 2011/65/EU Directive ERP 2009/125/EU EN 60730-1, EN 60730-2-9

### DIMENSIONAL



### TECHNICAL SYMBOLOGY

## IP

IP20

STANDARDS/APPROVALS

