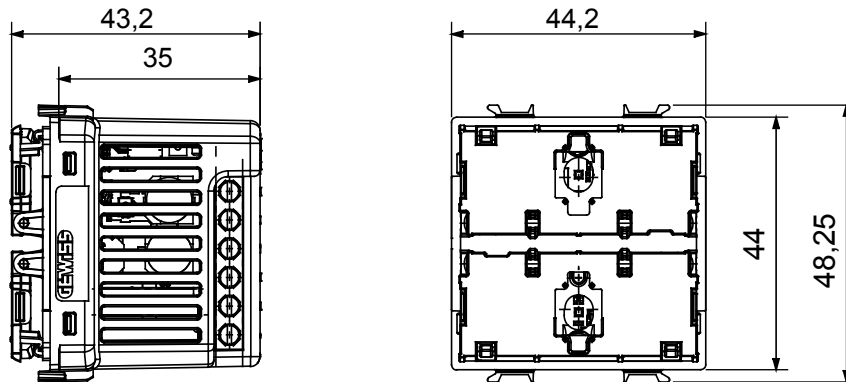


Wireless connected device with Zigbee protocol from the ChoruSmart system that can be with Home Gateway for "CONNECTED SMART HOME" solutions, for residential and small offices, both for new builds and renovations. Zigbee technology is a secure and reliable technology in which data is encrypted and every node in the network ensures reachability across all devices (mesh network).

Output contacts	2,3 A 240 V ac (according to IEC 60669-2-1)	Power supply	100 ± 240 V ac - 50/60 Hz
No. modules	2	No. output channels	1
Radio connections	Zigbee (IEEE 802.15.4)	Standard	2014/53/EU, 2011/65/EU + 2015/863, EN 60669-2-1, EN 60669-1, EN 301 489-1, EN 301 489-17, EN 300 328, EN IEC 63000
Working temperature	-5 ÷ +45 °C	Relative humidity (non-condensative)	Max 93%
Power output Zigbee	10 dBm	Dispersible max power (W)	2
Wiring terminals	With screw	Terminal tightening capacity stranded cables (mm ²)	Max. 1,5
Terminal tightening capacity solid cables (mm ²)	Max. 1,5	Category	Axial roller shutter command connected
No. input channels	2 (for local command replication or sending additional Zigbee commands)	Input voltage	Mains supply voltage
IP degree	IP20 (with button key)	LED colour	Blue
Local control	Via 2 front push buttons (to complete with button key)	Power supply of EGO SMART plate	Yes
Zigbee control extension if installed on EGO SMART plate (with front push buttons)	Yes		

DIMENSIONAL



TECHNICAL SYMBOLOGY

IP

IP20 (with button key)

STANDARDS/APPROVALS

