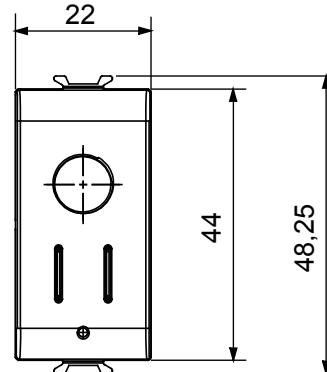
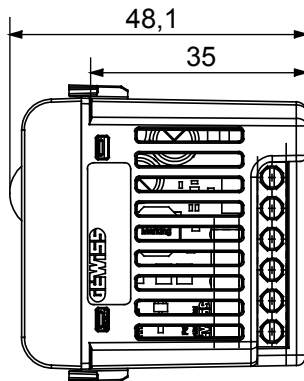




Wireless connected device with Zigbee protocol from the ChoruSmart system that can be with Home Gateway for "CONNECTED SMART HOME" solutions, for residential and small offices, both for new builds and renovations. Zigbee technology is a secure and reliable technology in which data is encrypted and every node in the network ensures reachability across all devices (mesh network).

Colour	Satin black	Output contacts	1 NO 2 A (AC1) 240 Vac
Power supply	100 ÷ 240 V ac - 50/60 Hz	No. modules	1
No. output channels	1	Radio connections	Zigbee (IEEE 802.15.4)
Standard	2014/53/EU, 2011/65/EU + 2015/863, EN 60669-2-1, EN 60669-1, EN 301 489-1, EN 301 489-17, EN 300 328, EN IEC 63000	Working temperature	-5 ÷ +45 °C
Relative humidity (non-condensative)	Max 93%	Power output Zigbee	10 dBm
Wiring terminals	With screw	Terminal tightening capacity stranded cables (mm <sup>2</sup> )	Max. 1,5
Terminal tightening capacity solid cables (mm <sup>2</sup> )	Max. 1,5	Category	Movement detector
No. input channels	2 (for local command replication or sending additional Zigbee commands)	Input voltage	Mains supply voltage
IP degree	IP20	240 V ac Incandescent-halogen lamps	500W
240 V ac LED lamps	100 W	Loads piloted from electronic transf. 240 V ac	250 VA
Technology	Infrared	Light sensor	1-600 lux
Horizontal bearing angle	±48°	Vertical bearing angle	±10°

### DIMENSIONAL



### TECHNICAL SYMBOLOGY

**IP**

IP20

### STANDARDS/APPROVALS

