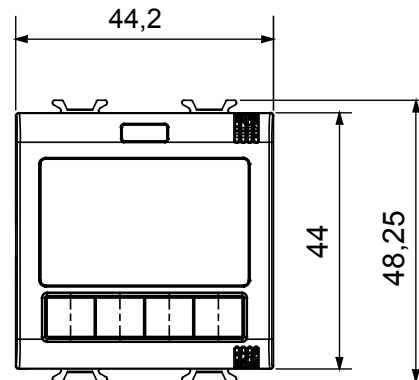
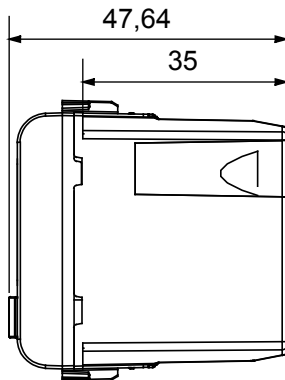




Wireless connected device with Zigbee protocol from the ChoruSmart system that can be with Home Gateway for "CONNECTED SMART HOME" solutions, for residential and small offices, both for new builds and renovations. Zigbee technology is a secure and reliable technology in which data is encrypted and every node in the network ensures reachability across all devices (mesh network).

| | | | |
|---|---------------------------|--|--|
| Colour | Satin White | Output contacts | 1 NO / NC 5A (AC1) 240 V ac |
| Power supply | 100 ÷ 240 V ac - 50/60 Hz | No. modules | 2 |
| Radio connections | Zigbee (IEEE 802.15.4) | Standard | 2014/53/EU, 2011/65/EU + 2015/863, EN 60730-1, EN 60730-2-7, EN 60730-2-9, EN 301 489-1, EN 301 489-17, EN 300 328, EN IEC 63000 |
| Working temperature | -5 ÷ +45 °C | Relative humidity (non-condensative) | Max 93% |
| Power output Zigbee | 10 dBm | Wiring terminals | With screw |
| Terminal tightening capacity stranded cables (mm ²) | Max. 1,5 | Terminal tightening capacity solid cables (mm ²) | Max. 1,5 |
| Category | Thermostat | IP degree | IP20 |
| Measured sizes | Temperature, humidity | Functions | Heating and cooling control; algorithms for 2-way systems: two-point (On/Off) and proportional integral (PWM). |
| Type of display | LCD | | |

DIMENSIONAL



TECHNICAL SYMBOLOGY

IP

IP20

STANDARDS/APPROVALS

