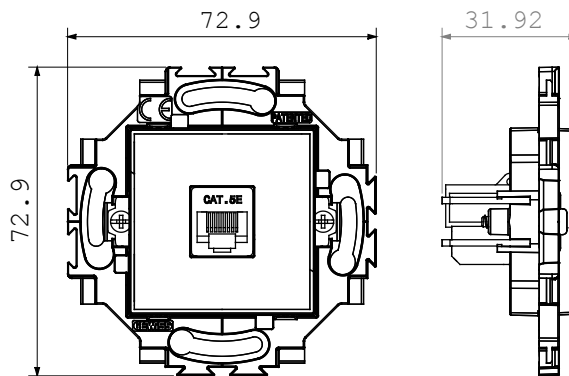


Residential series suitable for installations on round and square boxes, characterised by an elegant appearance and classic shapes. The plates, made of technopolymer in seven colours and with different modularities, from 1 to 5-gang, can be installed in both horizontal and vertical positions. The series, developed around a core of monobloc devices, is available in two colours: white and ivory, both with a glossy finish. Expandable with ChorusSmart modular devices.

| | | | |
|----------------|---------------|---------------------------|----------------------|
| Category | Data socket | Colour | White |
| Material | Technopolymer | Finishing | Glossy |
| Description | RJ45 | Use category | 5e |
| Cables | FTP | Connection | Toolless |
| Number pairs | 4 | Fixing | With clutches/Screws |
| Glow wire test | 850 °C | Thermo-pressure with ball | 125 °C |
| Standard | EN 50173 | | |

DIMENSIONAL



TECHNICAL SYMBOLOGY



STANDARDS/APPROVALS

