



Complete system for the connection and distribution of LAN networks in residential and tertiary sector environments.

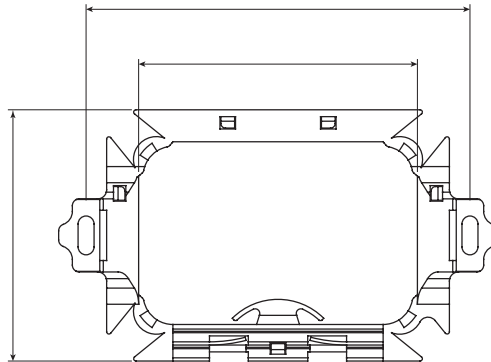
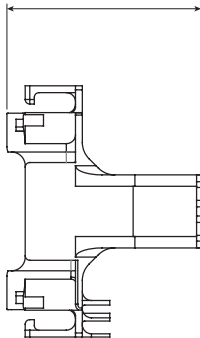
The range includes fibre optic solutions, wall panels, floor cabinets and copper wiring products.

The Data Center series provides all the products necessary to create a multi-service fibre optic infrastructure for residential buildings, in full compliance with all the indications dictated by the new CEI Guidelines 306-2 and Law 164/14.

Category	Optical splice holder	Material	Plastic
Colour	Black	Characteristics	Ready to accommodate max 4m fibre optic (Ø 0.9mm)
Fixing	With screws	Suitable for support	3 modules
N. splices	3		

### DIMENSIONAL

3,5  
2,5  
1



### STANDARDS/APPROVALS

