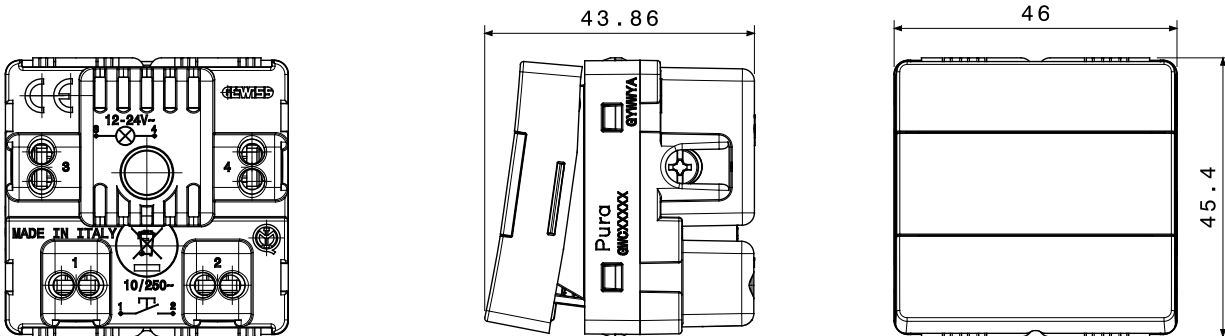




A complete range of commands and protections, energy and signal sockets, temperature control units, comfort management solutions, and acoustic/visual signalling devices. The commands, available with two different buttons designs, are illuminated with LED light and feature elegant indicator icons. System Pura is available in two colours and two finishes: glossy white, satin black and satin white. The series proposes intuitive and modern solutions designed to enhance any space. These features make it ideal for both residential applications and special installations, where reliability and aesthetics must coexist harmoniously.

Category	Push-button	Description	1P NO - 10 A
Colour	Satin black	Voltage	250 V ac
Type	Name plate	Signalling unit	-
Standard	EN 60669-1	Resistance at test voltage	2000 V at 50 Hz for 1 minute
Insulation resistance	> 5 MOhm	Wiring terminals	With screw
Prolonged operation switch (no. of position changes)	40.000 at In 250 V ac cosφ=0,6	Thermo-pressure with ball	125 °C
Glow Wire Test	850 °C	Terminal grip on cable traction	> 50 N
Terminal tightening capacity stranded cables (mm ²)	min. 0,75 - max. 2x4	Terminal tightening capacity solid cables (mm ²)	min. 0,5 - max. 2x2,5
No. modules	2	Material	Technopolymer
Halogen Free	Halogen-free in compliance with EN IEC 63355	Electrocod	0130

DIMENSIONAL



TECHNICAL SYMBOLOGY



STANDARDS/APPROVALS

