

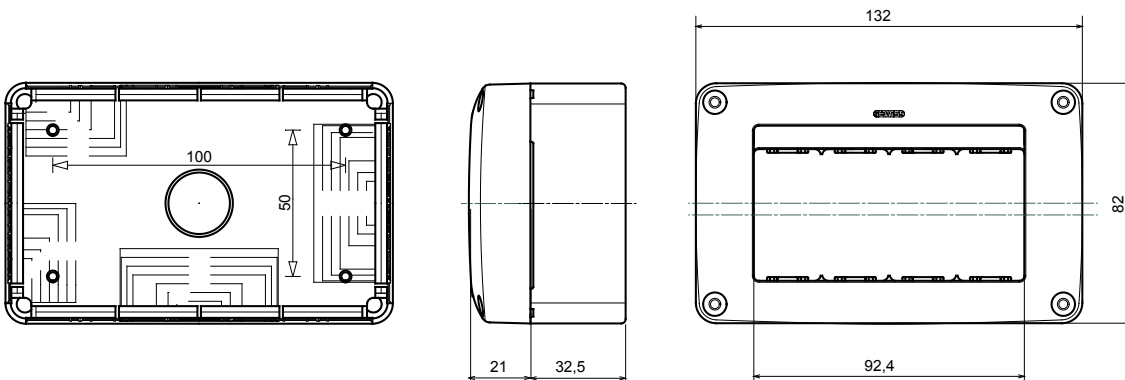
A complete, versatile system of modular containers, perfectly integrable in the SYSTEM domestic range and able to meet the high protection installation requirements of the residential, commercial and industrial sectors. The 27 COMBI range is available both in the IP40 version and in watertight versions with IP55, IP65 and IP66 degree of protection, recommended for all outdoor applications which are subjected to extreme atmospheric conditions.

| | | | |
|-----------------------------|---------------------------|--------------------------|------------------|
| Description | 4 modules | No. gangs | 4 |
| Colour | White RAL 9010 | No. knockout holes Ø23 | 1 on the bottom |
| Type of knockout holes | Removable with tool | IP degree | IP40 |
| Insulation class | II | Mechanical resistance | IK07 |
| Compartment pre-arrangement | 1 | Characteristics | Halogen free |
| Lid screws | Corrosion-resistant steel | Torque screws tightening | 0.8 Newton/meter |
| Outer dim. LxHxD (mm) | 132x82x54 | Glow Wire Test | 650 °C |
| Thermo-pressure with ball | 70 °C | Standard | EN 50085-2-1 |
| Installation temperature | -5 +60 °C | Electrocod | 0212 |

BEHAVIOUR WITH CHEMICAL AND ATMOSPHERIC AGENTS

| Saline solution | Acids | | Bases | | Solvents | | | | Mineral oil | UV rays |
|-----------------|--------------------|-----------|--------------|-----------|--------------------|---------------|---------------|---------------|--------------------|-----------|
| | Concentrated | Diluted | Concentrated | Diluted | Hexane | Benzol | Acetone | Alcohol | | |
| Resistant | Limited resistance | Resistant | Resistant | Resistant | Limited resistance | Not resistant | Not resistant | Not resistant | Limited resistance | Resistant |

DIMENSIONAL



TECHNICAL SYMBOLOGY



IP
IP40



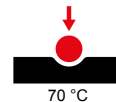
II

IK
IK07

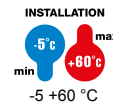


Halogen free

GWT
650 °C



70 °C



INSTALLATION
-5 +60 °C

STANDARDS/APPROVALS



UK
CA CE