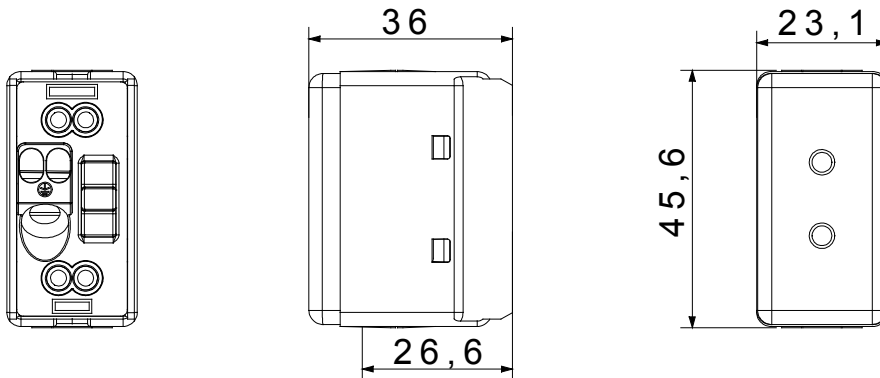




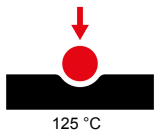
The System modular devices make it possible to create infinite combination between devices and plates, thanks to a complete range that is able to satisfy all design, functional and installation requirements. Colour and finiture: glossy white, bright and versatile  
The range includes commands, socket- outlets, protection, indicators, connectors and devices for the control, safety and comfort of your home.

|  |                       |   |                      |
|--|-----------------------|---|----------------------|
| Category   | -                     | Description   | 2P - 6A - 24V        |
| For plug pins  | Ø 3 mm                | Centre distance   | 12.4 mm              |
| Thermo-pressure with ball                                    | 125 °C                | Terminal tightening capacity stranded cables (mm <sup>2</sup> ) | min. 0,75 - max. 2x4 |
| Terminal tightening capacity solid cables (mm <sup>2</sup> ) | min. 0,5 - max. 2x2,5 | Colour  | White                |
| No. SYSTEM modules   | 1                     | Cable fixing  | With screw           |
| Material   | Technopolymer         | Electrocod  | 0131                 |

### DIMENSIONAL



### TECHNICAL SYMBOLOGY



### STANDARDS/APPROVALS

