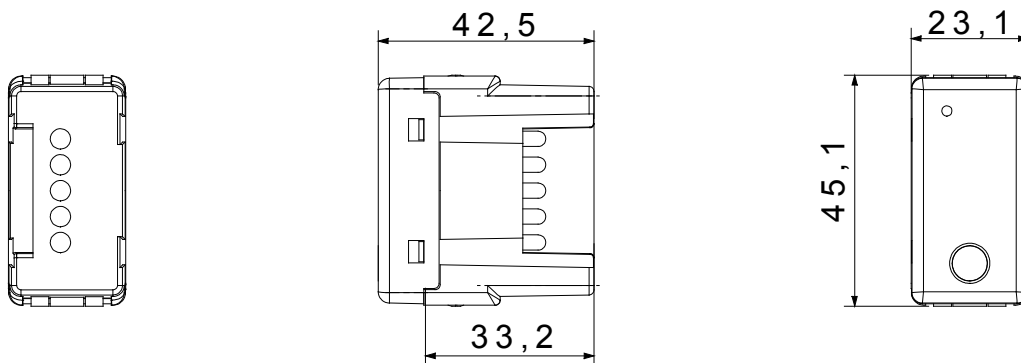




The System modular devices make it possible to create infinite combination between devices and plates, thanks to a complete range that is able to satisfy all design, functional and installation requirements. Colour and finiture: glossy white, bright and versatile  
The range includes commands, socket- outlets, protection, indicators, connectors and devices for the control, safety and comfort of your home.

Category	Relay	Output contacts	1NO/NC 12 V (max. 1A)
Description	For call	Colour	White
No. of poles	1	Voltage	12V ac/dc
Standard	EN 60669-1 / EN 60669-2-2	Frequency	-
Resistance at test voltage	2000 V at 50 Hz for 1 minute	Insulation resistance	> 5 MOhm
Wiring terminals	With screw	Prolonged operation switch (no.of position changes)	40.000 at In 250 V ac cosφ=0,6
Thermo-pressure with ball	125 °C	Glow Wire Test	850 °C
Terminal grip on cable traction	> 50 N	Terminal tightening capacity stranded cables (mm <sup>2</sup> )	min. 0,75 - max. 2x4
Terminal tightening capacity solid cables (mm <sup>2</sup> )	min. 0,5 - max. 2x2,5	No. SYSTEM modules	1
Rated power (AC1)	0 VA	Rated power (AC15)	0 VA
230V incandescent/halogen lamps	-	Fluorescent lamps with electronic ballast	0 W
Fluorescent lamps with compensated ballast	0 W	CFL lamps	0 W
230V LED lamps	0 W	Halogen/LED lamps with electronic transformer	0 W
Halogen/LED lamps with electromechanical transformer	0 W	Material	Technopolymer
Electrocod	140		

### DIMENSIONAL



### TECHNICAL SYMBOLOGY



### STANDARDS/APPROVALS

