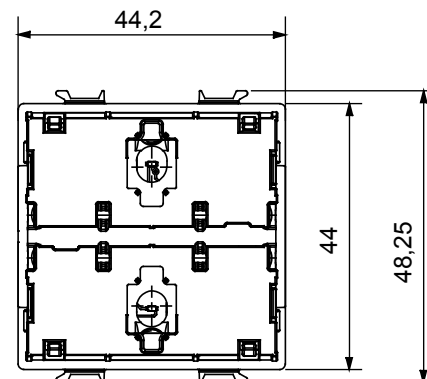
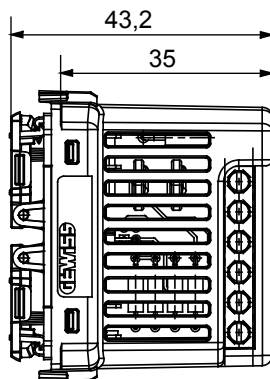




Flush-mounting axial auxiliary module with two commands. Two axial push-buttons on the front; this product can be used in combination with the auxiliary wired inputs of the following devices of the Chorusmart range: connected commands, connected 1- channel On/Off actuator, connected movement sensors, EVO commands, or as a wired command for a connected 2-channel ZigBee interface. The device must be completed with one of the front buttons key available.

Description	2-channel auxiliary axial control	Output contacts	n. 2 x 1A (AC1)
Power supply	100 ÷ 240 V ac - 50/60 Hz	No. modules	2
No. output channels	2	Standard	2014/35/EU (LVD), 2011/65/EU + 2015/863 (RoHS), EN 60669-1, EN IEC 63000
Working temperature	-5 ÷ +45 °C	Relative humidity (non-condensative)	Max 93%
Wiring terminals	With screw	Terminal tightening capacity stranded cables (mm ²)	Max. 1,5
Terminal tightening capacity solid cables (mm ²)	Max. 1,5	Category	2-channel auxiliary axial control
No. input channels	-	IP degree	IP20 (with button key)
240 V ac Incandescent-halogen lamps	-	240 V ac LED lamps	-
Loads piloted from electronic transf. 240 V ac	-	LED colour	Blue
Local control	Via 2 front push buttons (to complete with button key)	Load control	-
Material	Technopolymer		

DIMENSIONAL



TECHNICAL SYMBOLOGY

IP

IP20 (with button key)

STANDARDS/APPROVALS

