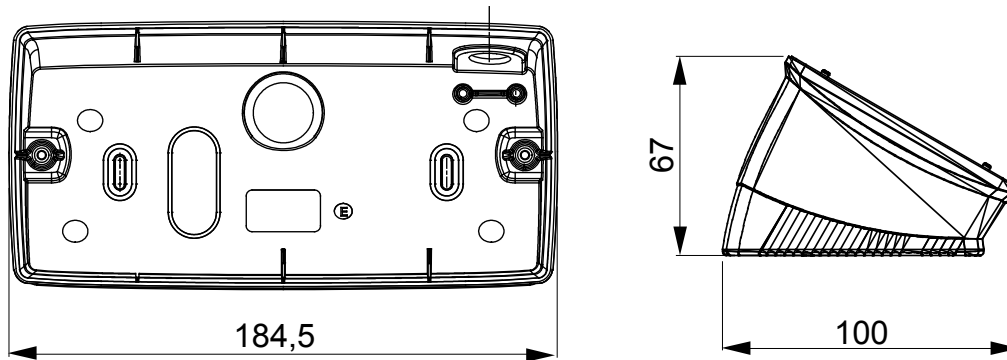




A range of tabletop panels, wall boxes and self-supporting wall enclosures suitable for housing ChorusSmart modular devices. Wall boxes and panels, available in black and white, must be completed with ChorusSmart support and One plates. The self-supporting enclosures, available in grey RAL 7035, are characterised in IP40 and IP55 versions: both have pre-cut knockouts, and the watertight version is also provided with a door with a transparent UV membrane. Self-supporting boxes and enclosures are designed to be fitted with an earth terminal.

Description	6 modules	Colour	Satin White
Support	GW16806	Suitable for plates	ONE
Torque screws tightening	0.8 Newton/meter	Outer dim. LxHxD (mm)	181x90x69
Glow wire test	650 °C	Thermo-pressure with ball	70 °C
Standard	EN 60670-1	Electrocod	0122

DIMENSIONAL



TECHNICAL SYMBOLOGY



STANDARDS/APPROVALS

