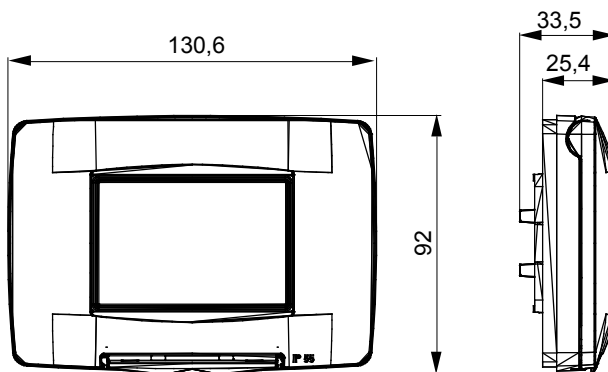




Range of ChoruSmart domestic series plates, made in a wide variety of shapes, colours, materials and finishes. It includes five different shapes (ONE, GEO, EGO, LUX, ICE and ICE Touch) for rectangular boxes with a capacity of up to 12 modules and three different shapes (ONE International, GEO International and LUX International) suitable for round/square boxes, both single and combined in horizontal or vertical configurations, with a capacity of 2 up to 2+2+2+2 modules. All ChoruSmart domestic series plates use the same supports, without the need for additional adapters. The range also includes blank plates, watertight IP55 plates and contour plates.

| | | | |
|---------------------------|---------------|----------------|--------------|
| Description | 3 modules | Colour | Glossy white |
| Material | Technopolymer | Finishing | Glossy |
| IP degree | IP55 | For box | Rectangular |
| Included support | GW16803 | Glow wire test | 650 °C |
| Thermo-pressure with ball | 70 °C | Standard | EN 60669-1 |
| Electrocod | 0110 | | |

DIMENSIONAL



TECHNICAL SYMBOLOGY

IP

IP55

GWT

650 °C



70 °C

STANDARDS/APPROVALS

