

70 RT HP



Rotary isolator switches

Energy and safety. For all your projects.



70 RT HP is a comprehensive range of 16A to 160A rotary isolator switches available in enclosures made from both insulating materials and aluminium. Provided in control or emergency versions, they are compatible with the main applications for residential, commercial and industrial contexts.

DC versions are available, suitable also for photovoltaic applications, ranging from 16A to 32A, in an insulating enclosure. The series is completed with versions for board from 16A to 1000A and for DIN rail fixing from 16A to 63A, which can be equipped with auxiliary contacts.

The devices have been designed to reduce wiring time, facilitate installation and ensure the maximum safety and robustness even in the most demanding conditions.



Residential



Office



Industry



Sport



Healthcare



Retail



Hospitality



Transportation

Performance

The switches of the 70 RT HP Series ensure high performance, thanks to protection ratings of IP66/IP67/IP69, impact resistance up to IK11 and optimized wiring and installation times.

Reliability

The rotary switch disconnecter guarantees complete reliability when insulating an electrical line or network. Designed to deliver high electrical performances, the switch can operate with highly inductive motors (AC23A utilization category) even in the most demanding industrial environments.

Versatility

70 RT HP is available in surface-mounted versions and for distribution boards, with either front-panel installation or DIN rail mounting (EN 50022).

This makes the product range extremely flexible, as it can be installed on all GEWISS distribution boards.

Safety

The patented and innovative padlocking system accommodates up to three padlocks, allowing the rotary switch to be locked in both the ON and OFF positions (OFF only for the Emergency version). The 70 RT HP disconnection solution helps to ensure a safe working environment for personnel and protects valuable electrical equipment from damage.

Insulating Enclosure



Designed to meet the **highest standards of safety, durability and performance**, the 70 RT HP in an insulating enclosure is the essential component in maintaining operational continuity and protecting equipment and workers.

- Insulating enclosure provides **double insulation**, reducing the risk of electrical leakage.
- Full rating up to 125A with **AC-21A, AC-22A and AC-23A** ensures optimal operation of inductive motors in demanding applications, supporting HVAC systems, elevators, and ventilation units.
- Designed to withstand severe impacts, featuring an **IK08** impact resistance rating for enhanced durability and protection.
- Engineered for resilience, rotary isolator switches are available with high degrees of protection (**IP66/IP67/IP69**) against dust and water ingress, guaranteeing reliability and longevity even in the most challenging environments.
- Functions reliably in temperatures **up to 60°C** without derating.
- Ideal for **indoor and outdoor applications** with superior environmental resistance.
- **Up to 8P** to handle the connection with multiple devices.
- **Additional auxiliary contacts** extend the switch's functionality, enabling connections to indicator lights, smoke meters, or other monitoring devices, enhancing system integration and visibility.



Aluminium Enclosure



Built to perform, designed for safety

The 70RT HP housed in an aluminium enclosure plays a vital role in energy systems by providing a clear isolation point for **safe maintenance** and preventing accidental electrocution

- **Versatile applications:** ideal for HVAC, industrial cooling, ventilation, elevators, pumps, and motors, but also in technical rooms and professional kitchens.
- **AC-23A rating** ensures efficient inductive motor operation in demanding conditions.
- **Up to IK11 impact resistance** withstands severe impacts, including those from heavy machinery.
- **Superior environmental protection: IP66/IP69 ratings** safeguard against dust and water in harsh conditions.



- **Reliable performance up to 60°C** without derating, plus **UV resistance** for longevity.
- **Solvent chemical resistance** preserves integrity during cleaning and processing.
- **Multipole design** adapts to various electrical configurations.
- The **refined aluminium enclosure** integrates seamlessly into residential and commercial spaces.
- **Auxiliary contacts** enable real-time monitoring for enhanced safety and control.
- **ATEX-certified models** ensure secure operation in explosion-prone environments.

Direct Current version in Insulating Enclosure



Ensure reliable power management for photovoltaic and battery storage systems supporting routine maintenance and emergency intervention in total safety.

- A **dedicated offering**, available in both DC and AC versions, meets evolving renewable energy needs. The DC switches are available in versions ranging from 16 A to 32 A, housed in an insulating enclosure.
- Complying with EN 60947-1:2021, EN 60947-3:2021 and EN 60947-3:2021 - Annex D - standards for use in photovoltaic (DC-PV2) and for battery storage system (DC-21B) applications.
- **IK08** impact resistance and **IP66/IP67/IP69** dust and water ingress ratings ensure durability and longevity, even in extreme climate conditions.
- Reliable performance **up to 60°C** without derating, plus **UV resistance** for endurance.
- **Versatility of installation** is ensured by the jumpers, which enable multiple wiring configurations to meet all the installers needs.



Versions for boards

The **70 RT HP for boards** (16 A ÷ 1000 A) and **DIN rail fixing** (16 A ÷ 63 A) are designed for safe and efficient electrical management in panel-mounted versions, providing control for demanding and large-scale applications and guaranteeing personnel safety.

- Ideal for industrial automation, energy distribution, and control of heavy machinery, our solution ensures **safety, reliability and compliance with demanding operational standards** by safely disconnecting power sources during servicing.
- **Safe Load Switching:** ensures reliable opening and closing under load. Visible opening with manual operation. Equipped with knobs for direct operation or door interlocking via the installation of an extension shaft.
- **Secure Isolation:** provides effective circuit disconnection, particularly for machine control circuits.
- **Multipole design:** offers flexibility to adapt to various electrical configurations.



Conformity to standards

The 70 RT HP series complies with international standards:

CE

IEC 60947-1:2020

IEC 60947-3:2020

IEC 60947-3:2021
(Annex D)

Switches, disconnectors, switch-disconnectors and fuse-combination units for use in photovoltaic (PV) DC applications

IEC 60947-1:2021

IEC 60947-3:2021

IEC 60079-0:2018

EN 60079-31:2014

IEC 63000:2018: 70 ATEX

AC21A - AC22A

AC23A / 415V ratings

ISO 4898-2

Resistance to UV rays

70 RT HP series



70 RT HP IN INSULATING ENCLOSURE

Details overview pg. 15
Product codes chart pg. 16
Technical data sheets pg. 18



70 RT HP IN ALUMINIUM ENCLOSURE

Details overview pg. 23
Product codes chart pg. 24
Technical data sheets pg. 26



70 RT HP IN INSULATING ENCLOSURE FOR DIRECT CURRENT

Details overview pg. 31
Product codes chart pg. 32
Technical data sheets pg. 32



70 RT HP ATEX VERSION IN ALUMINIUM ENCLOSURE

Product codes chart pg. 34
Technical data sheets pg. 35



70 RT HP VERSION FOR BOARDS/DIN RAIL













Details overview pg. 37
Product codes chart pg. 38
Technical data sheets pg. 42



COMPLEMENTARY ITEMS




pg. 47

Rotary isolators







In	POLES	VERSIONS IN INSULATING ENCLOSURE				VERSIONS IN ALUMINIUM ENCLOSURE		VERSIONS IN ALUMINIUM ENCLOSURE		AUXILIARY CONTACTS			VERSION IN INSULATING ENCLOSURE FOR DIRECT CURRENT	ATEX VERSIONS IN ALUMINIUM ENCLOSURE		
		CONTROL	CONTROL	EMERGENCY	EMERGENCY	CONTROL	CONTROL	EMERGENCY	EMERGENCY	1NO + 1NC	2NO	2NC		CONTROL	EMERGENCY	
																
Dim: 125 x 150 x 75,5 mm	Dim: 153,6 x 200,6 x 117 mm	Dim: 125 x 150 x 75,5 mm	Dim: 153,6 x 200,6 x 117 mm	Dim: 141 x 184 x 96 mm	Dim: 165 x 219 x 108 mm	Dim: 141 x 184 x 96 mm	Dim: 165 x 219 x 108 mm	Dim: 141 x 184 x 96 mm	Dim: 165 x 219 x 108 mm	Dim: 153,6 x 200,6 x 117 mm	Dim: 140 x 165 x 63 mm	Dim: 140 x 165 x 63 mm				
16A	2P	GW 70 401 P		GW 70 431 P		GW 70 301 M									GW 70 451	GW 70 471
	3P	GW 70 402 P		GW 70 432 P		GW 70 302 M									GW 70 452	GW 70 472
	3P+N	GW 70 402 NP		GW 70 432 NP		GW 70 302 NM										
	4P	GW 70 403 P		GW 70 433 P		GW 70 303 M										
	6P		GW 70 601 P		GW 70 641 P											
25A	2P	GW 70 416 P		GW 70 486 P		GW 70 316 M										
	3P	GW 70 417 P		GW 70 487 P		GW 70 317 M										
	3P+N	GW 70 417 NP		GW 70 487 NP		GW 70 317 NM										
	4P	GW 70 418 P		GW 70 488 P		GW 70 318 M										
	6P		GW 70 602 P		GW 70 642 P											
32A	2P	GW 70 404 P		GW 70 434 P		GW 70 304 M										
	3P	GW 70 405 P		GW 70 435 P		GW 70 305 M										
	3P+N	GW 70 405 NP		GW 70 435 NP		GW 70 305 NM										
	4P	GW 70 406 P		GW 70 436 P		GW 70 306 M										
	6P		GW 70 603 P		GW 70 643 P											
40A	2P	GW 70 413 P		GW 70 441 P		GW 70 313 M	GW 70 901 M									
	3P	GW 70 414 P		GW 70 442 P		GW 70 314 M	GW 70 902 M									
	3P+N	GW 70 414 NP		GW 70 442 NP		GW 70 314 NM	GW 70 902 NM									
	4P	GW 70 415 P		GW 70 443 P		GW 70 315 M	GW 70 903 M									
	6P		GW 70 604 P		GW 70 644 P											
63A	3P	GW 70 407 P		GW 70 437 P		GW 70 307 M										
	3P+N	GW 70 407 NP		GW 70 437 NP		GW 70 307 NM										
	4P	GW 70 408 P		GW 70 438 P		GW 70 308 M										
	6P		GW 70 605 P		GW 70 645 P											
	8P		GW 70 625 P		GW 70 665 P											
80A	3P	GW 70 419 P		GW 70 489 P		GW 70 319 M										
	3P+N	GW 70 419 NP		GW 70 489 NP		GW 70 319 NM										
	4P	GW 70 420 P		GW 70 490 P		GW 70 320 M										
100A	3P	GW 70 421 P		GW 70 491 P		GW 70 321 M										
	3P+N	GW 70 421 NP		GW 70 491 NP		GW 70 321 NM										
	4P	GW 70 422 P		GW 70 492 P		GW 70 322 M										
	6P		GW 70 607 P		GW 70 647 P											
	8P		GW 70 627 P		GW 70 667 P											
125A	3P	GW 70 423 P		GW 70 493 P		GW 70 323 M										
	3P+N	GW 70 423 NP		GW 70 493 NP		GW 70 323 NM										
	4P	GW 70 424 P		GW 70 494 P		GW 70 324 M										
160A	3P	GW 70 425 P		GW 70 495 P		GW 70 325 M										
	3P+N	GW 70 425 NP		GW 70 495 NP		GW 70 325 NM										
	4P	GW 70 426 P		GW 70 496 P		GW 70 326 M										

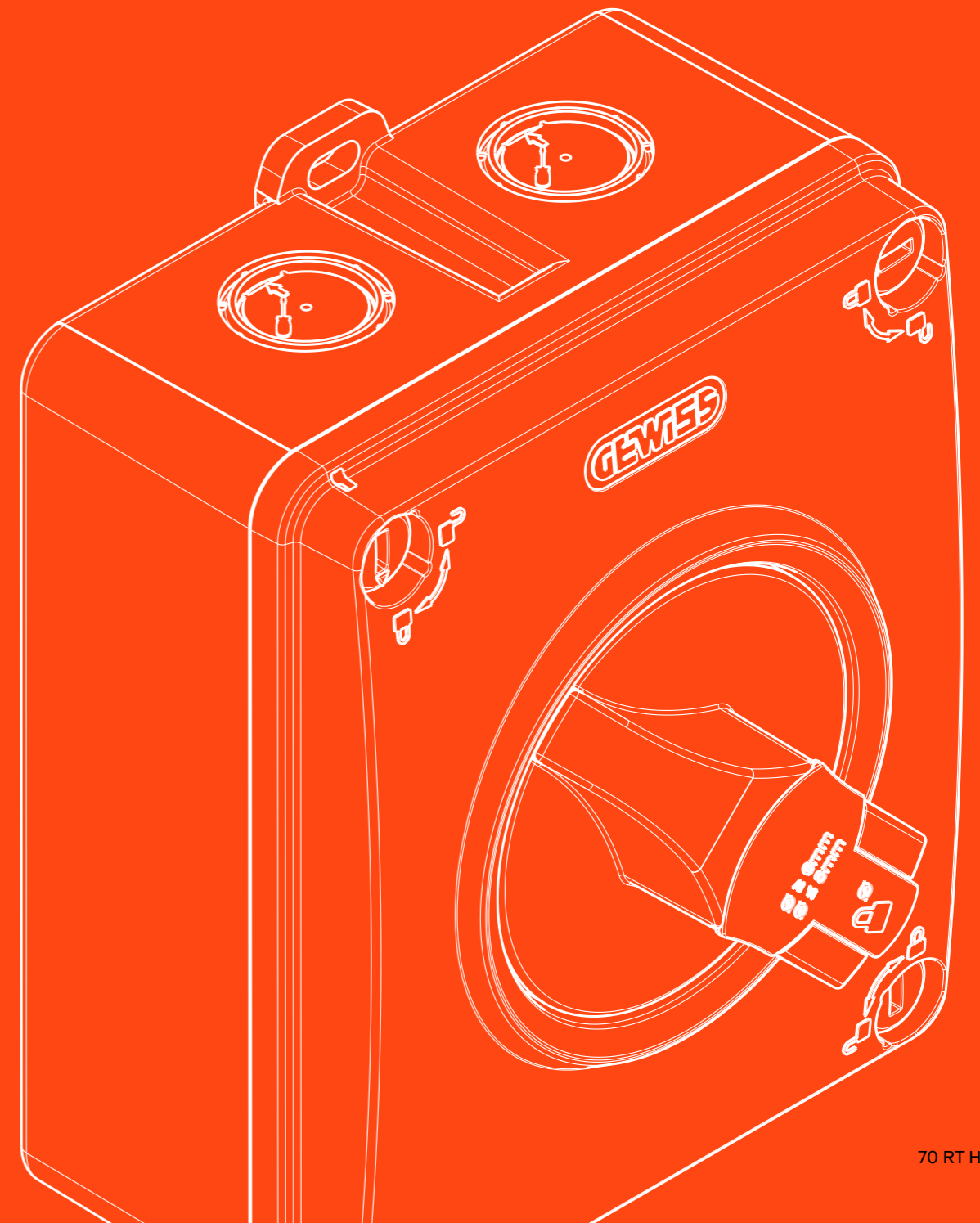
NOTE: the dimensions shown above refer to the external dimensions of the boxes without considering the knob.

Rotary isolators

In	POLES	VERSIONS FOR BOARD				
		PANEL/DOOR MOUNTING (*)	DIN RAIL MOUNTING	AUXILIARY CONTACTS		
					1NO + 1NC	2NO
16A	2P	GW 70 001	GW 70 201	GW 70 026	GW 70 027	GW 70 028
	3P	GW 70 002	GW 70 202			
	4P	GW 70 003	GW 70 203			
25A	3P	GW 70 052	GW 70 204	GW 70 026	GW 70 027	GW 70 028
	4P	GW 70 053				
32A	2P	GW 70 004	GW 70 204	GW 70 026	GW 70 027	GW 70 028
	3P	GW 70 005	GW 70 205			
	4P	GW 70 006	GW 70 206			
40A	3P	GW 70 055	GW 70 207	GW 70 026	GW 70 027	GW 70 028
	4P	GW 70 056				
63A	3P	GW 70 007	GW 70 207	GW 70 026	GW 70 027	GW 70 028
	4P	GW 70 008	GW 70 208			
80A	3P	GW 70 058	GW 70 207	GW 70 026	GW 70 027	GW 70 028
	4P	GW 70 059				
100A	3P	GW 70 061	GW 70 207	GW 70 026	GW 70 027	GW 70 028
	4P	GW 70 062				
125A	3P	GW 70 064	GW 70 207	GW 70 029	GW 70 027	GW 70 028
	4P	GW 70 065				
160A	3P	GW 70 067	GW 70 207	GW 70 029	GW 70 027	GW 70 028
	4P	GW 70 068				

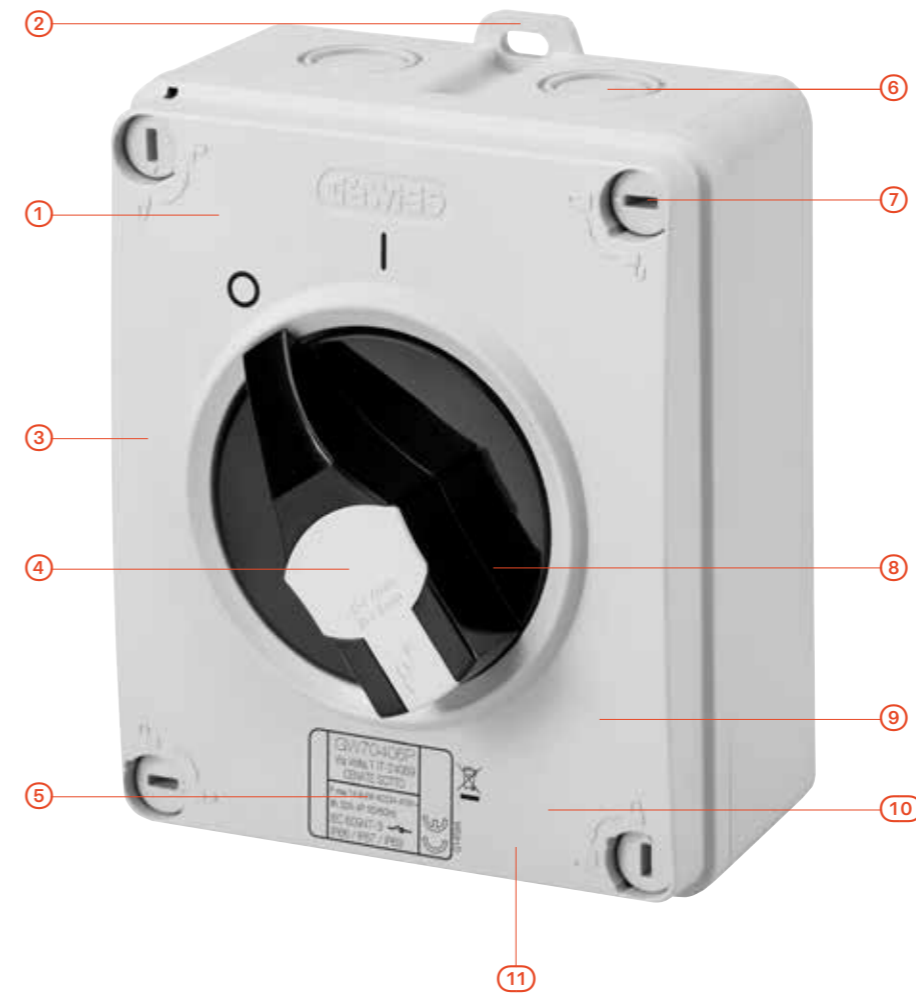
(*) Versions for panel/door mounting can be accessorized with galvanized steel extending brackets GW 70 009.

In	POLES	VERSIONS FOR BOARD					
		PANEL/DOOR MOUNTING	AUXILIARY CONTACTS		PHASE BARRIERS	TERMINAL COVERS	SHAFTS
							
200A	3P	GW 70 070	GW 70 035	GW 70 036	GW 70 171	GW 70 181	GW 70 040
	4P	GW 70 071			GW 70 172	GW 70 182	
250A	3P	GW 70 073	GW 70 035	GW 70 036	GW 70 171	GW 70 181	GW 70 040
	4P	GW 70 074			GW 70 172	GW 70 182	
315A	3P	GW 70 076	GW 70 035	GW 70 036	GW 70 173	GW 70 183	GW 70 040
	4P	GW 70 077			GW 70 174	GW 70 184	
400A	3P	GW 70 079	GW 70 035	GW 70 036	GW 70 173	GW 70 183	GW 70 041
	4P	GW 70 080			GW 70 174	GW 70 184	
630A	3P	GW 70 085	GW 70 035	GW 70 036	GW 70 175	GW 70 185	GW 70 041
	4P	GW 70 086			GW 70 176	GW 70 186	
800A	3P	GW 70 088	GW 70 035	GW 70 036	GW 70 175	GW 70 185	GW 70 041
	4P	GW 70 089			GW 70 176	GW 70 186	
1000A	3P	GW 70 091	GW 70 035	GW 70 036	GW 70 175	GW 70 185	GW 70 041
	4P	GW 70 092			GW 70 176	GW 70 186	





70 RT HP in insulating enclosure



TOTAL PROTECTION

- ① IP66 / IP67 / IP69 - Total protection from dust and water.
- ② External wall-mounting eyelets (x2) to maintain the protection rating.
- ③ IK08 - Withstands high levels of mechanical stress.
- ④ SAFETY
 - ON/OFF status indication for safe operation: visually clear.
 - Patented locking system: hidden inside the handle, allows locking in ON or OFF position (OFF only for Emergency version).
 - Up to 3 padlocks can be installed simultaneously.
- ⑤ Front label for easy reading of technical data and standards.

QUICK ASSEMBLY

- ⑥ Double metric input to reduce wiring times.
- ⑦ Quarter-turn closure: reduced installation times (versions 16-80A up to 4P).

RELIABILITY

- ⑧ Ergonomic handle resistant to high mechanical stress. The shape ensures a solid grip and prevents dirt accumulation.
- ⑨ High resistance to UV rays.
- ⑩ Good resistance to chemicals.

ACCESSORIABILITY

- ⑪ Housable auxiliary contacts

Emergency version



70 RT HP in insulating enclosure

70 RT HP - SURFACE MOUNTING ROTARY ISOLATOR IN INSULATING ENCLOSURE - IP66/IP67/69

Control versions



GW 70 406 P

Surface-mounting isolator - control version with lockable black knob - IP66/IP67/IP69

Code	No. of poles	Outer dim. LxHxD (mm)	Cable entries	Lid screws (no. and type)	Pack Carton
Rated current (A): 16					
GW 70 401 P	2P	125x150x75,5	2 x M20/25 + 2 x M20/25	4 insul. 1/4 turn	1/16
GW 70 402 P	3P	125x150x75,5	2 x M20/25 + 2 x M20/25	4 insul. 1/4 turn	1/16
GW 70 402 NP	3P+N	125x150x75,5	2 x M20/25 + 2 x M20/25	4 insul. 1/4 turn	1/16
GW 70 403 P	4P	125x150x75,5	2 x M20/25 + 2 x M20/25	4 insul. 1/4 turn	1/16
GW 70 601 P	6P	153,6x200,6x117	4xM20	4 insulation	1/4
GW 70 621 P	8P	153,6x200,6x117	4xM20	4 insulation	1/4
Rated current (A): 25					
GW 70 416 P	2P	125x150x75,5	2 x M20/25 + 2 x M20/25	4 insul. 1/4 turn	1/16
GW 70 417 P	3P	125x150x75,5	2 x M20/25 + 2 x M20/25	4 insul. 1/4 turn	1/16
GW 70 417 NP	3P+N	125x150x75,5	2 x M20/25 + 2 x M20/25	4 insul. 1/4 turn	1/16
GW 70 418 P	4P	125x150x75,5	2 x M20/25 + 2 x M20/25	4 insul. 1/4 turn	1/16
GW 70 602 P	6P	153,6x200,6x117	4xM25	4 insulation	1/4
GW 70 622 P	8P	153,6x200,6x117	4xM25	4 insulation	1/4
Rated current (A): 32					
GW 70 404 P	2P	125x150x75,5	2 x M20/25 + 2 x M20/25	4 insul. 1/4 turn	1/16
GW 70 405 P	3P	125x150x75,5	2 x M20/25 + 2 x M20/25	4 insul. 1/4 turn	1/16
GW 70 405 NP	3P+N	125x150x75,5	2 x M20/25 + 2 x M20/25	4 insul. 1/4 turn	1/16
GW 70 406 P	4P	125x150x75,5	2 x M20/25 + 2 x M20/25	4 insul. 1/4 turn	1/16
GW 70 603 P	6P	153,6x200,6x117	4xM25	4 insulation	1/4
GW 70 623 P	8P	153,6x200,6x117	4xM25	4 insulation	1/4
Rated current (A): 40					
GW 70 413 P	2P	125x150x75,5	2 x M20/25 + 2 x M20/25	4 insul. 1/4 turn	1/16
GW 70 414 P	3P	125x150x75,5	2 x M20/25 + 2 x M20/25	4 insul. 1/4 turn	1/16
GW 70 414 NP	3P+N	125x150x75,5	2 x M20/25 + 2 x M20/25	4 insul. 1/4 turn	1/16
GW 70 415 P	4P	125x150x75,5	2 x M20/25 + 2 x M20/25	4 insul. 1/4 turn	1/16
GW 70 604 P	6P	153,6x200,6x117	4xM32	4 insulation	1/4
GW 70 624 P	8P	153,6x200,6x117	4xM32	4 insulation	1/4
Rated current (A): 63					
GW 70 407 P	3P	156x200x95	2 x M25/32 + 2 x M25/32	4 insul. 1/4 turn	1/6
GW 70 407 NP	3P+N	156x200x95	2 x M25/32 + 2 x M25/32	4 insul. 1/4 turn	1/6
GW 70 408 P	4P	156x200x95	2 x M25/32 + 2 x M25/32	4 insul. 1/4 turn	1/6
GW 70 605 P	6P	236,5x315,5x178	-	4 insulation	1
GW 70 625 P	8P	315,5x236,5x178	-	4 insulation	1
Rated current (A): 80					
GW 70 419 P	3P	156x200x95	2 x M25/32 + 2 x M25/32	4 insul. 1/4 turn	1/6
GW 70 419 NP	3P+N	156x200x95	2 x M25/32 + 2 x M25/32	4 insul. 1/4 turn	1/6
GW 70 420 P	4P	156x200x95	2 x M25/32 + 2 x M25/32	4 insul. 1/4 turn	1/6
Rated current (A): 100					
GW 70 421 P	3P	236,5x316x178	-	4 insulation	1
GW 70 421 NP	3P+N	236,5x316x178	-	4 insulation	1
GW 70 422 P	4P	236,5x316x178	-	4 insulation	1
GW 70 607 P	6P	236,5x315,5x178	-	4 insulation	1
GW 70 627 P	8P	315,5x236,5x178	-	4 insulation	1
Rated current (A): 125					
GW 70 423 P	3P	236,5x316x178	-	4 insulation	1
GW 70 423 NP	3P+N	236,5x316x178	-	4 insulation	1
GW 70 424 P	4P	236,5x316x178	-	4 insulation	1
Rated current (A): 160					
GW 70 425 P	3P	236,5x316x178	-	4 insulation	1
GW 70 425 NP	3P+N	236,5x316x178	-	4 insulation	1
GW 70 426 P	4P	236,5x316x178	-	4 insulation	1

NOTE: Can be padlocked in both ON and OFF positions with a maximum of three locks, each with a diameter of up to 8 mm. The 63-100A 6P-8P versions can be padlocked only in the OFF position, with an IP66/IP69 protection rating. Versions 100-160A, up to 4P, and 63-100A, 6P and 8P, allow for the installation of a maximum of 2 x M63 cable glands. All Lid screws are sealable.

Emergency versions



GW 70 436 P

Surface-mounting isolator - emergency version with lockable red knob - IP66/IP67/IP69

Code	No. of poles	Outer dim. LxHxD (mm)	Cable entries	Lid screws (no. and type)	Pack Carton
Rated current (A): 16					
GW 70 431 P	2P	125x150x75,5	2 x M20/25 + 2 x M20/25	4 insul. 1/4 turn	1/16
GW 70 432 P	3P	125x150x75,5	2 x M20/25 + 2 x M20/25	4 insul. 1/4 turn	1/16
GW 70 432 NP	3P+N	125x150x75,5	2 x M20/25 + 2 x M20/25	4 insul. 1/4 turn	1/16
GW 70 433 P	4P	125x150x75,5	2 x M20/25 + 2 x M20/25	4 insul. 1/4 turn	1/16
GW 70 641 P	6P	153,6x200,6x117	4xM20	4 insulation	1/4
GW 70 661 P	8P	153,6x200,6x117	4xM20	4 insulation	1/4
Rated current (A): 25					
GW 70 486 P	2P	125x150x75,5	2 x M20/25 + 2 x M20/25	4 insul. 1/4 turn	1/16
GW 70 487 P	3P	125x150x75,5	2 x M20/25 + 2 x M20/25	4 insul. 1/4 turn	1/16
GW 70 487 NP	3P+N	125x150x75,5	2 x M20/25 + 2 x M20/25	4 insul. 1/4 turn	1/16
GW 70 488 P	4P	125x150x75,5	2 x M20/25 + 2 x M20/25	4 insul. 1/4 turn	1/16
GW 70 642 P	6P	153,6x200,6x117	4xM25	4 insulation	1/4
GW 70 662 P	8P	153,6x200,6x117	4xM25	4 insulation	1/4
Rated current (A): 32					
GW 70 434 P	2P	125x150x75,5	2 x M20/25 + 2 x M20/25	4 insul. 1/4 turn	1/16
GW 70 435 P	3P	125x150x75,5	2 x M20/25 + 2 x M20/25	4 insul. 1/4 turn	1/16
GW 70 435 NP	3P+N	125x150x75,5	2 x M20/25 + 2 x M20/25	4 insul. 1/4 turn	1/16
GW 70 436 P	4P	125x150x75,5	2 x M20/25 + 2 x M20/25	4 insul. 1/4 turn	1/16
GW 70 643 P	6P	153,6x200,6x117	4xM25	4 insulation	1/4
GW 70 663 P	8P	153,6x200,6x117	4xM25	4 insulation	1/4
Rated current (A): 40					
GW 70 441 P	2P	125x150x75,5	2 x M20/25 + 2 x M20/25	4 insul. 1/4 turn	1/16
GW 70 442 P	3P	125x150x75,5	2 x M20/25 + 2 x M20/25	4 insul. 1/4 turn	1/16
GW 70 442 NP	3P+N	125x150x75,5	2 x M20/25 + 2 x M20/25	4 insul. 1/4 turn	1/16
GW 70 443 P	4P	125x150x75,5	2 x M20/25 + 2 x M20/25	4 insul. 1/4 turn	1/16
GW 70 644 P	6P	153,6x200,6x117	4xM32	4 insulation	1/4
GW 70 664 P	8P	153,6x200,6x117	4xM32	4 insulation	1/4
Rated current (A): 63					
GW 70 437 P	3P	156x200x95	2 x M25/32 + 2 x M25/32	4 insul. 1/4 turn	1/6
GW 70 437 NP	3P+N	156x200x95	2 x M25/32 + 2 x M25/32	4 insul. 1/4 turn	1/6
GW 70 438 P	4P	156x200x95	2 x M25/32 + 2 x M25/32	4 insul. 1/4 turn	1/6
GW 70 645 P	6P	236,5x315,5x178	-	4 insulation	1
GW 70 665 P	8P	315,5x236,5x178	-	4 insulation	1
Rated current (A): 80					
GW 70 489 P	3P	156x200x95	2 x M25/32 + 2 x M25/32	4 insul. 1/4 turn	1/6
GW 70 489 NP	3P+N	156x200x95	2 x M25/32 + 2 x M25/32	4 insul. 1/4 turn	1/6
GW 70 490 P	4P	156x200x95	2 x M25/32 + 2 x M25/32	4 insul. 1/4 turn	1/6
Rated current (A): 100					
GW 70 491 P	3P	236,5x316x178	-	4 insulation	1
GW 70 491 NP	3P+N	236,5x316x178	-	4 insulation	1
GW 70 492 P	4P	236,5x316x178	-	4 insulation	1
GW 70 647 P	6P	236,5x315,5x178	-	4 insulation	1
GW 70 667 P	8P	315,5x236,5x178	-	4 insulation	1
Rated current (A): 125					
GW 70 493 P	3P	236,5x316x178	-	4 insulation	1
GW 70 493 NP	3P+N	236,5x316x178	-	4 insulation	1
GW 70 494 P	4P	236,5x316x178	-	4 insulation	1
Rated current (A): 160					
GW 70 495 P	3P	236,5x316x178	-	4 insulation	1
GW 70 495 NP	3P+N	236,5x316x178	-	4 insulation	1
GW 70 496 P	4P	236,5x316x178	-	4 insulation	1

NOTE: Can be padlocked in the OFF position with a maximum of three locks, each with a diameter of up to 8 mm. The 63-100A 6P-8P versions can be padlocked only in the OFF position, with an IP66/IP69 protection rating. Versions 100-160A, up to 4P, and 63-100A, 6P and 8P, allow for the installation of a maximum of 2 x M63 cable glands. All Lid screws are sealable.

70 RT HP in insulating enclosure

ROTARY ISOLATOR SWITCHES IN INSULATING ENCLOSURE

Rotary isolator switches are available in control (with a black knob) or emergency versions (with a red knob). Complying with EN 60947-3 standard.

Electrical data 16 A ÷ 160 A 2P, 3P, 3P+N, 4P

Rated current IEC		16A	25A	32A	40A	63A	80A	100A	125A	160A		
Rated insulation voltage Ui	VAC	690	690	690	690	690	690	1000	1000	1000		
Rated impulse withstand voltage Uimp	kV	4	4	4	4	4	4	8	8	8		
Thermal current Ith/Ithe	A	16	25	32	40	63	80	100	125	160		
Rated operational current IEC	AC21A Resistive loads, including moderate overloads	415V	A	16	25	32	40	63	80	100	125	160
	AC22A Mixed resistive and inductive loads, including moderate overloads	415V	A	16	25	32	40	63	80	100	125	125
	AC23A Switching of motor loads or other highly inductive loads (3 phases/3 poles)	415V	A	16	25	32	40	63	80	100	125	125
Rated short time withstand current Icw (1s)	A	160	250	320	400	630	800	2500	2500	2500		
Conditional short circuit current (Icc)	415V	10	10	10	10	6	6	10	10	10		
	500V	6	6	6	6	6	6	6	6	6		
Associated fuse for conditional short circuit current - Type gG	A	16	25	32	40	63	80	100	125	160		
WIRING *												
Tightening torque	Nm	1			3			6				
Max. flexible wire	mm ²	1 ÷ 10			2,5 ÷ 25			4 ÷ 70				
Max. rigid wire	mm ²	1 ÷ 10			2,5 ÷ 25			4 ÷ 70				

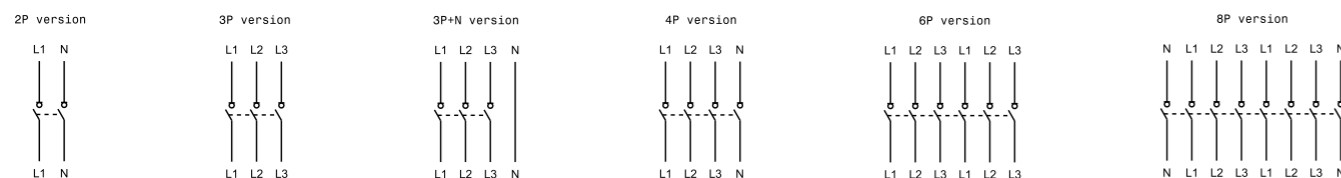
* The surface of the wiring terminals is knurled to improve the grip of the stripped cable inserted into the terminal and to facilitate wiring operations.

Electrical data 16 A ÷ 100 A 6P, 8P

Rated current IEC		16A	25A	32A	40A	63A	100A		
Rated insulation voltage Ui	VAC	1000	1000	1000	1000	1000	1000		
Rated impulse withstand voltage Uimp	kV	8	8	8	8	8	8		
Thermal current Ith/Ithe	A	16	25	32	40	63	100		
Rated operational current IEC	AC21A Resistive loads, including moderate overloads	415V	A	16	25	32	40	63	100
	AC22A Mixed resistive and inductive loads, including moderate overloads	415V	A	16	25	32	40	63	100
	AC23A Switching of motor loads or other highly inductive loads (3 phases/3 poles)	415V	A	16	25	32	40	63	100
Conditional short circuit current (Icc)	415V	10	10	10	10	10	10		
Associated fuse for conditional short circuit current - Type gG	A	40	40	40	40	100	100		
WIRING *									
Tightening torque	Nm	2					6		
Max. flexible wire	mm ²	0,75 ÷ 16					4 ÷ 70		
Max. rigid wire	mm ²	0,75 ÷ 16					4 ÷ 70		

* The surface of the wiring terminals is knurled to improve the grip of the stripped cable inserted into the terminal and to facilitate wiring operations.

WIRING DIAGRAM



Behaviour with chemical and atmospheric agents

Saline solution	Acids		Bases		Solvents				Mineral oil	UV rays
	Concentrated	Diluted	Concentrated	Diluted	Hexane	Benzol	Acetone	Alcohol		
Resistant	Limited resistance	Resistant	Not resistant	Limited resistance	Limited resistance	Not resistant	Not resistant	Limited resistance	Resistant	Resistant

Mechanical data 16 A ÷ 160 A 2P, 3P, 3P+N, 4P

In (A)		16	25	32	40	63	80	100	125	160	
Poles	2P	x	x	x	x						
	3P	x	x	x	x	x	x	x	x	x	
	3P+N	x	x	x	x	x	x	x	x	x	
	4P	x	x	x	x	x	x	x	x	x	
Degree of protection		IP66/IP67/IP69									
Impact resistance		IK08									
Protection against indirect contact		☐									
Glow Wire Test (°C)		650 (enclosure)									
Range of temperature (°C)		-25; +60									
Housable auxiliary contacts		Max. 2 (1 per side)			Max. 3 (2 on one side + 1 on opposite side)		Max. 4 (2 per side)		Max. 3 (2 on one side + 1 on opposite side)		Max. 4 (2 per side)
		2 x M20/M25			2 x M25/M32		-		-		Max.1
Cable entries	Upper sides	2 x M20/M25			2 x M25/M32		-		-		
	Lower sides	2 x M20/M25			2 x M25/M32		-		-		
Knob position		Open - OFF position		Close - ON position		Open - OFF position		Close - ON position			

NOTE: to install the enclosure by drilling the internal fixing points, it is necessary to use the screw caps GW 44 622 or GW 44 623 to maintain the double insulation and the IP protection degree. Only operate the knob with the cover screws fully tightened.

Mechanical data 16 A ÷ 100 A 6P, 8P

In (A)		16	25	32	40	63	100
Poles	6P	x		x		x	
	8P		x		x		x
Degree of protection		IP66/67/69				IP66/69	
Impact resistance		IK08					
Protection against indirect contact		☐					
Glow Wire Test (°C)		650 (enclosure)					
Range of temperature (°C)		-25; +60					
Housable auxiliary contacts		Max. 4 (2 per side)	Max. 1	Max. 4 (2 per side)	Max. 1	Max. 4 (2 per side)	Max. 1
		2 x M20		2 x M25		2 x M32	
Cable entries	Upper sides	2 x M20		2 x M25		2 x M32	
	Lower sides	2 x M20		2 x M25		2 x M32	
Knob position		Open - OFF position		Close - ON position			

NOTE: to install the enclosure by drilling the internal fixing points, it is necessary to use the screw caps GW 44 622 or GW 44 623 to maintain the double insulation and the IP protection degree.

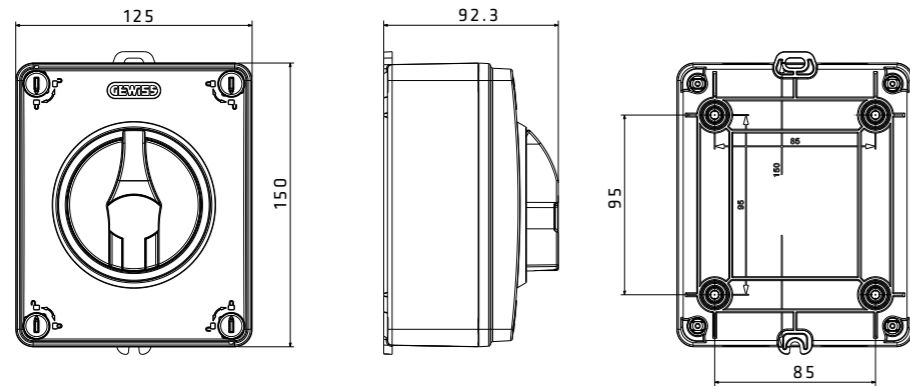
Auxiliary Contacts

Technical data	
type: Auxiliary Contacts NO or NC	Thermal current in Air (Ith): 16 A
Rated insulation voltage (Ui): 400 V	Thermal current in Enclosure (Ithe): 10A
Conditional short circuit current (Icc - 400 V): 1 kA	Rated impulse withstand voltage (Uimp): 4 kV
Associated fuse size for conditional short circuit current - Type gG: 6A	Category of uses AC15: 6A (230V)
Tightening torque: 0,8 Nm	3A (380V)

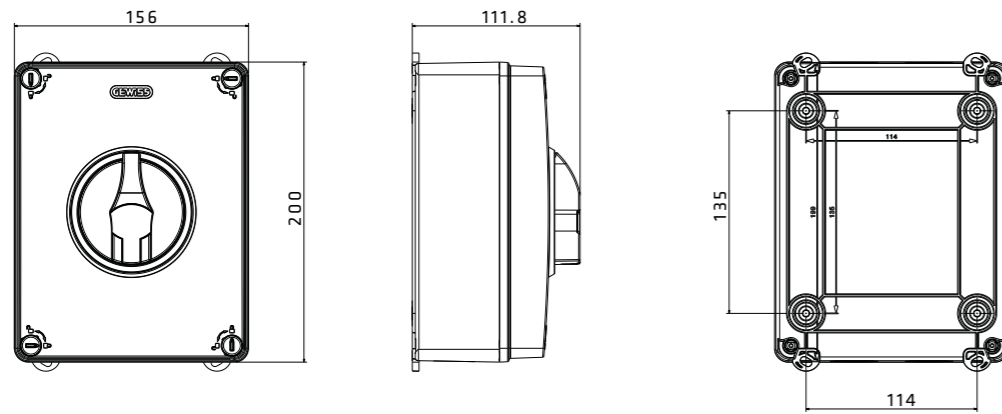
70 RT HP in insulating enclosure

Dimension tables 16 A ÷ 160 A 2P, 3P, 3P+N, 4P

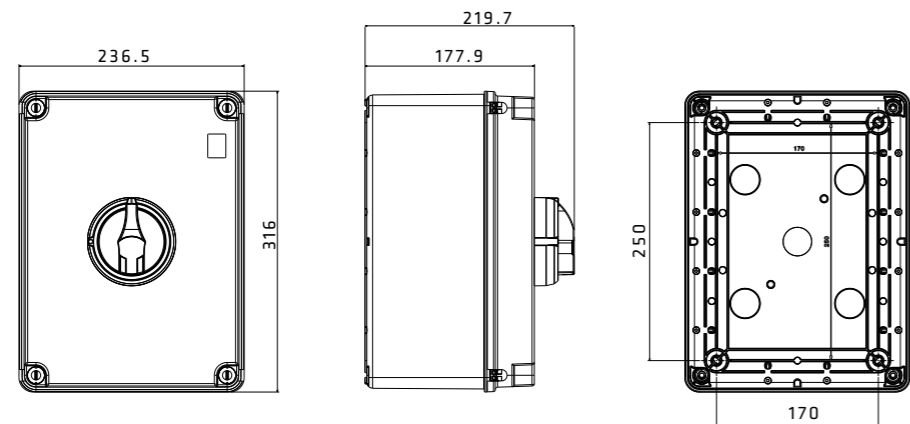
ISOLATORS IN ENCLOSURE 16 A ÷ 40 A



ISOLATORS IN ENCLOSURE 63 A - 80 A

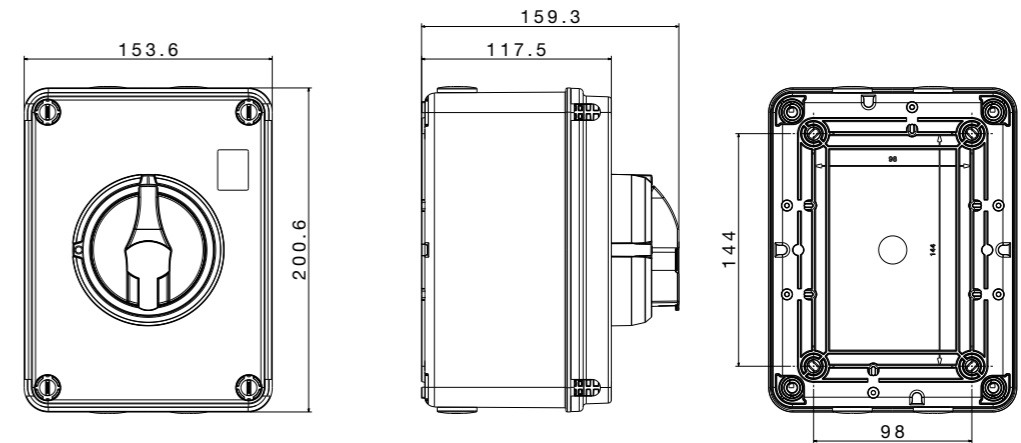


ISOLATORS IN ENCLOSURE 100 A ÷ 160 A

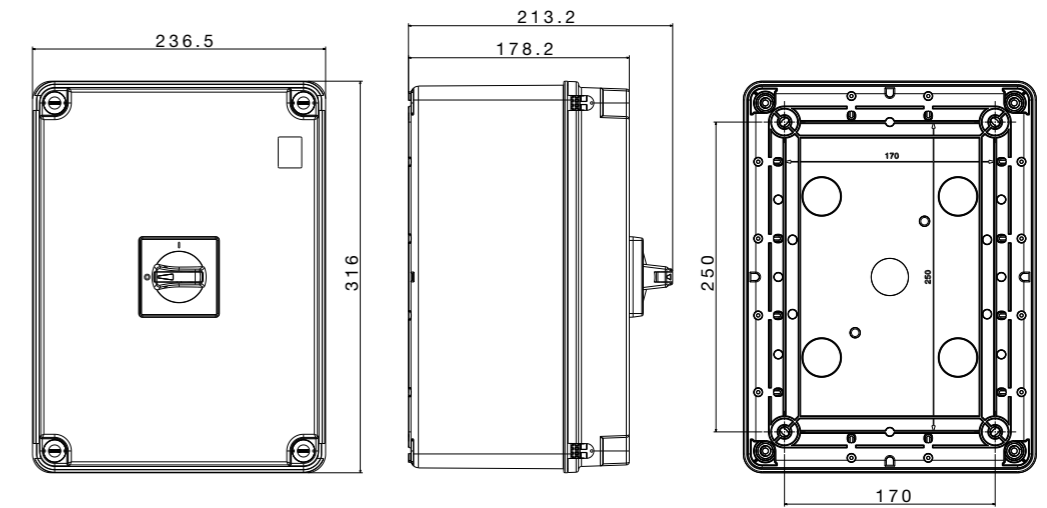


Dimension tables 16 A ÷ 100 A 6P, 8P

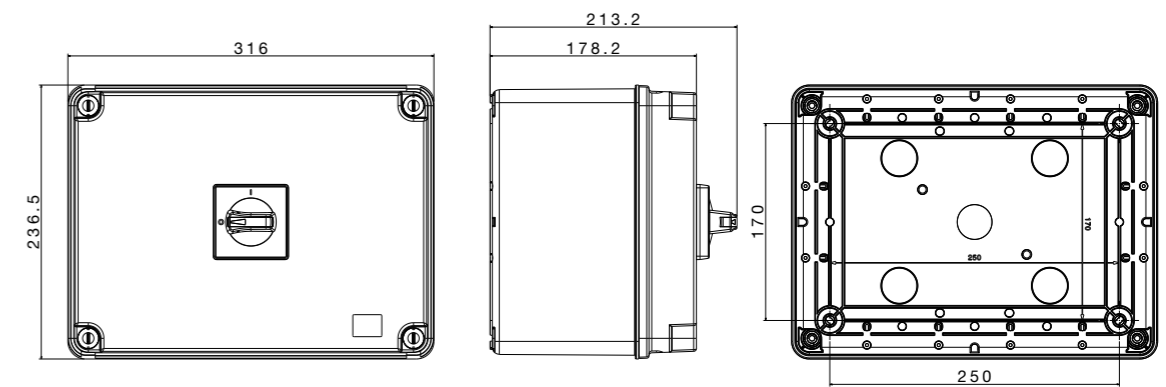
ISOLATORS IN ENCLOSURE 16 A ÷ 40 A 6P - 8P



ISOLATORS IN ENCLOSURE 63 A ÷ 100 A 6P



ISOLATORS IN ENCLOSURE 63 A ÷ 100 A 8P





70 RT HP in aluminium enclosure



TOTAL PROTECTION

- ① IP66 / IP69 - Total protection from dust and water.
- ② Four external wall mounting eyelets to maintain the protection rating and stability.
- ③ IK11 - High level of impact resistance for versions from 16A to 80A, 2P, 3P, 3P+N, 4P and from 16A to 40A 6P, 8P.
- ④ SAFETY
 - ON/OFF status indication for safe operation: visually clear.
 - **Patented locking system:** hidden inside the handle, allows locking in ON or OFF position (OFF only for Emergency version).
 - Up to 3 padlocks can be installed simultaneously.
- ⑤ Front label for easy reading of technical data and standards.

MADE IN ITALY (imprinted on enclosure)

- ⑥ Patented design. 60-micron polyester powder coating provides durability, corrosion resistance and an appealing finish.

QUICK ASSEMBLY

- ⑦ Simple wiring for time saving and optimized installation space.
- ⑧ Double metric entries on both top and bottom sides (up to 80A 4P and 40A 8P).
- ⑨ Earthing wiring predisposition with clearly marked drilling points.

RELIABILITY

- ⑩ Ergonomic handle resistant to high mechanical stress – solid grip and anti-dirt design.
- ⑪ High resistance to UV rays
- ⑫ High resistance to chemicals

ACCESSORIABILITÀ

- ⑬ Housable auxiliary contacts

Emergency version



70 RT HP in aluminium enclosure

ROTARY ISOLATOR SWITCHES IN ALUMINIUM ENCLOSURE

Rotary isolator switches are available in control (with a black knob) or emergency versions (with a red knob). Complying with EN 60947-3 standard.

Electrical data 16 A ÷ 160 A 2P, 3P, 3P+N, 4P

Rated current IEC		16A	25A	32A	40A	40A HWC	63A	80A	100A	125A	160A
Rated insulation voltage Ui		VAC	690	690	690	690	690	690	1000	1000	1000
Rated impulse withstand voltage Uimp		kV	4	4	4	4	4	4	8	8	8
Thermal current Ith/Ithe		A	16	25	32	40	63	80	100	125	160
Rated operational current IEC	AC21A Resistive loads, including moderate overloads	415V A	16	25	32	40	63	80	100	125	160
	AC22A Mixed resistive and inductive loads, including moderate overloads	415V A	16	25	32	40	63	80	100	125	125
	AC23A Switching of motor loads or other highly inductive loads (3 phases/3 poles)	415V A	16	25	32	40	63	80	100	125	125
Rated short time withstand current Icw (1s)		A	160	250	320	400	630	800	2500	2500	2500
Conditional short circuit current (Icc)		415V 500V kA	10	10	10	10	6	6	10	10	10
Associated fuse for conditional short circuit current - Type gG		A	16	25	32	40	63	80	100	125	160
WIRING *			1			3			6		
Tightening torque		Nm	1			3			6		
Max. flexible wire		mm ²	1 ÷ 10			1 ÷ 16			4 ÷ 70		
Max. rigid wire		mm ²	1 ÷ 10			1 ÷ 16			4 ÷ 70		

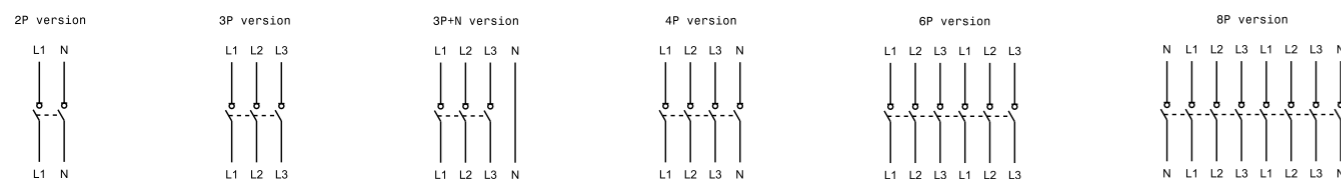
* The surface of the wiring terminals is knurled to improve the grip of the stripped cable inserted into the terminal and to facilitate wiring operations.

Electrical data 16 A ÷ 100 A 6P, 8P

Rated current IEC		16A	25A	32A	40A	63A	100A
Rated insulation voltage Ui		VAC	1000	1000	1000	1000	1000
Rated impulse withstand voltage Uimp		kV	8	8	8	8	8
Thermal current Ith/Ithe		A	16	25	32	40	100
Rated operational current IEC	AC21A Resistive loads, including moderate overloads	415V A	16	25	32	40	100
	AC22A Mixed resistive and inductive loads, including moderate overloads	415V A	16	25	32	40	100
	AC23A Switching of motor loads or other highly inductive loads (3 phases/3 poles)	415V A	16	25	32	40	100
Conditional short circuit current (Icc)		415V kA	10	10	10	10	10
Associated fuse for conditional short circuit current - Type gG		A	40	40	40	40	100
WIRING *			2			6	
Tightening torque		Nm	2			6	
Max. flexible wire		mm ²	0,75 ÷ 16			4 ÷ 70	
Max. rigid wire		mm ²	0,75 ÷ 16			4 ÷ 70	

* The surface of the wiring terminals is knurled to improve the grip of the stripped cable inserted into the terminal and to facilitate wiring operations.

WIRING DIAGRAM



Behaviour with chemical and atmospheric agents

Saline solution	Acids		Bases		Solvents				Mineral oil	UV rays
	Concentrated	Diluted	Concentrated	Diluted	Hexane	Benzol	Acetone	Alcohol		
Resistant	Limited resistance	Limited resistance	Limited resistance	Limited resistance	Resistant	Resistant	Resistant	Resistant	Resistant	Resistant

Mechanical data 16 A ÷ 160 A 2P, 3P, 3P+N, 4P

In (A)	16	25	32	40	40 HWC	63	80	100	125	160			
Poles	2P	x	x	x	x	x							
	3P	x	x	x	x	x	x	x	x				
	3P+N	x	x	x	x	x	x	x	x	x			
	4P	x	x	x	x	x	x	x	x	x			
Degree of protection		IP66/IP69											
Impact resistance	Enclosure	IK11											
	Knob	IK10											
Glow Wire Test (°C)		650 (knob)											
Range of temperature (°C)		-25; +60											
Housable auxiliary contacts		Max. 2 (1 per side)						Max. 4 (2 per side)	Max. 3 (1 side fourth pole + 2 opposite side)	Max. 4 (2 per side)	Max. 3 (1 side fourth pole + 2 opposite side)	Max. 4 (2 per side)	Max. 1
Cable entries*	Upper sides	1 x M20 + 1 x M25		2 x M25		2 x M32							
	Lower sides	1 x M20 + 1 x M25		2 x M25		2 x M32							
Pre-arrangement	Upper sides	2 x drilling points M16 max											
	Lower sides	2 x drilling points M16 max											
Back	2 x drilling points M25 max	2 x drilling points M25 max		2 x drilling points M32 max									
	Open - OFF position		Close - ON position		Open - OFF position		Close - ON position						
Knob position													
	Cover screws		2 Nm										
	Caps		2 Nm										
Nuts		2 Nm											

Mechanical data 16 A ÷ 100 A 6P, 8P

In (A)	16	25	32	40	63	100					
Poles	6P	x	x	x	x	x					
	8P	x	x	x	x	x					
Degree of protection		IP66/69									
Impact resistance	Enclosure	IK11				IK10					
	Knob	IK08									
Glow Wire Test (°C)		650 (enclosure)									
Range of temperature (°C)		-25; +60									
Housable auxiliary contacts		Max. 4 (2 per side)	Max. 2 (1 per side)	Max. 4 (2 per side)	Max. 2 (1 per side)	Max. 4 (2 per side)	Max. 2 (1 per side)	Max. 4 (2 per side)	Max. 1	Max. 4 (2 per side)	Max. 1
Cable entries*	Upper sides	2 x M20			2 x M25						
	Lower sides	2 x M20			2 x M25						
Pre-arrangement	Upper sides	2 x drilling points M16 max									
	Lower sides	2 x drilling points M16 max									
Back	2 x drilling points M20 max			2 x drilling points M25 max							
	Open - OFF position		Close - ON position		Open - OFF position		Close - ON position				
Knob position											
	Cover screws		2 Nm								
	Caps		2 Nm								
Nuts		2 Nm									

* It's recommended to install cable glands with a minimum thread length of 10 mm.

Auxiliary Contacts

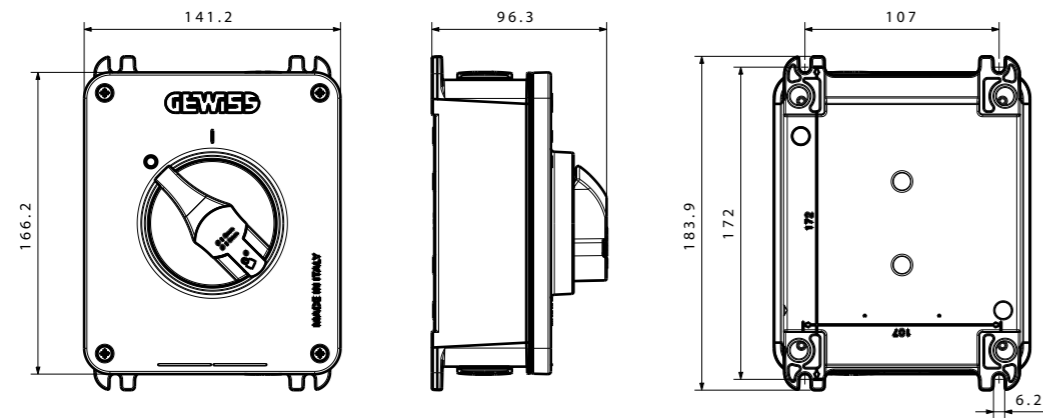
Technical data	
Type: Auxiliary Contacts NO or NC	Thermal current in Air (Ith): 16 A
Rated insulation voltage (Ui): 400 V	Thermal current in Enclosure (Ithe): 10A
Conditional short circuit current (Icc - 400 V): 1 kA	Rated impulse withstand voltage (Uimp): 4 kV
Associated fuse size for conditional short circuit current - Type gG: 6A	Category of uses AC15: 6A (230V)
Tightening torque: 0,8 Nm	3A (380V)

70 RT HP in aluminium enclosure

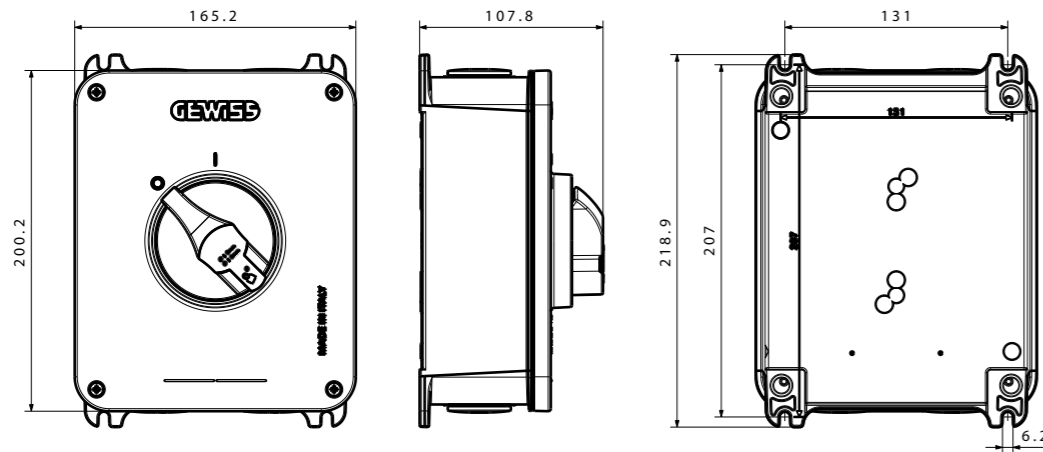
Dimension tables 16 A ÷ 160 A 2P, 3P, 3P+N, 4P

Isolators in aluminium enclosure

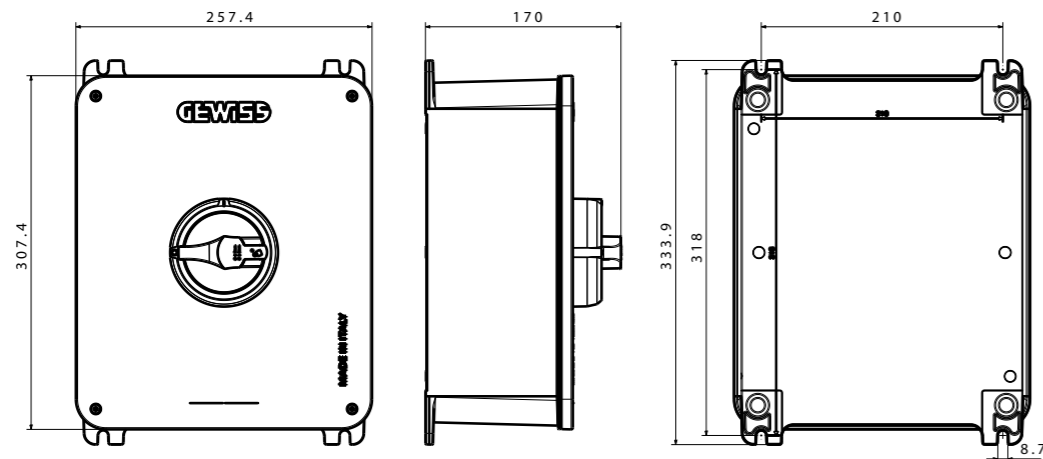
ISOLATORS IN ENCLOSURE 16 A ÷ 40 A



ISOLATORS IN ENCLOSURE 40 A HWC ÷ 80 A



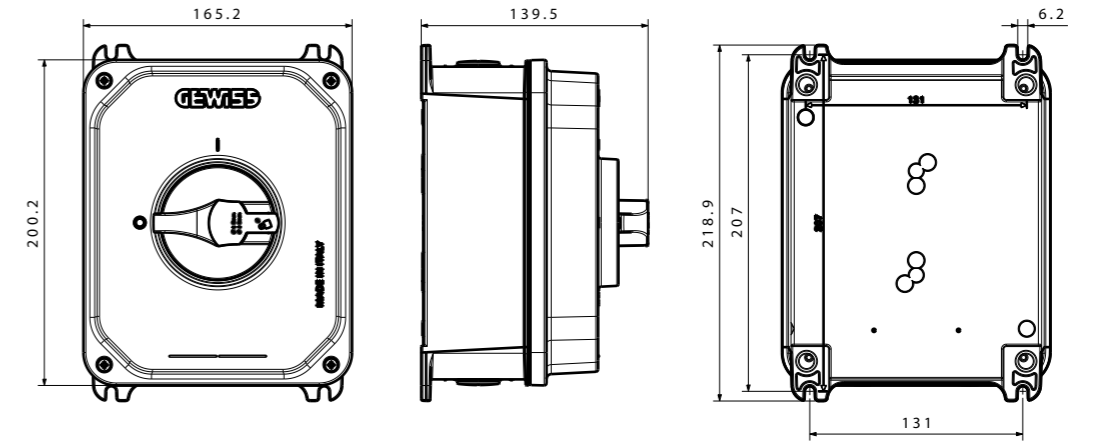
ISOLATORS IN ENCLOSURE 100 A ÷ 160 A



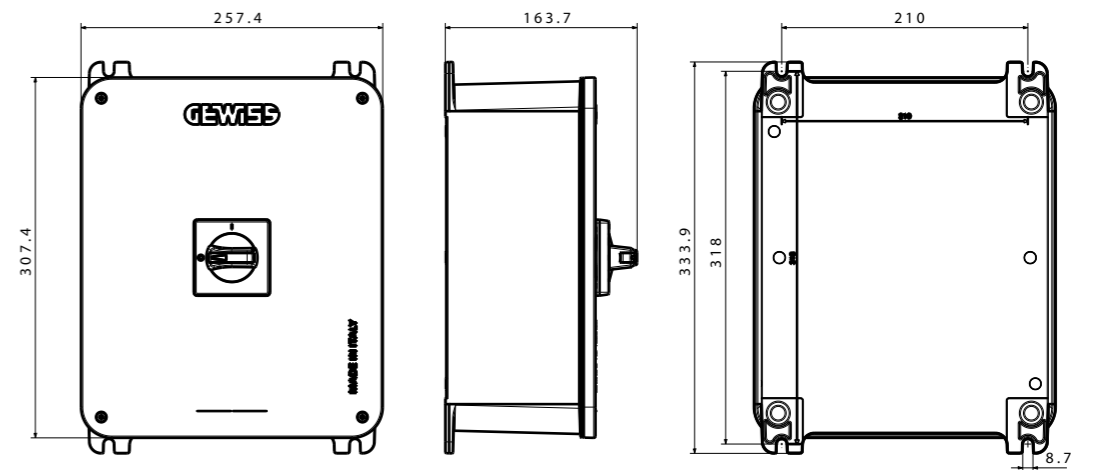
Dimension tables 16 A ÷ 100 A 6P, 8P

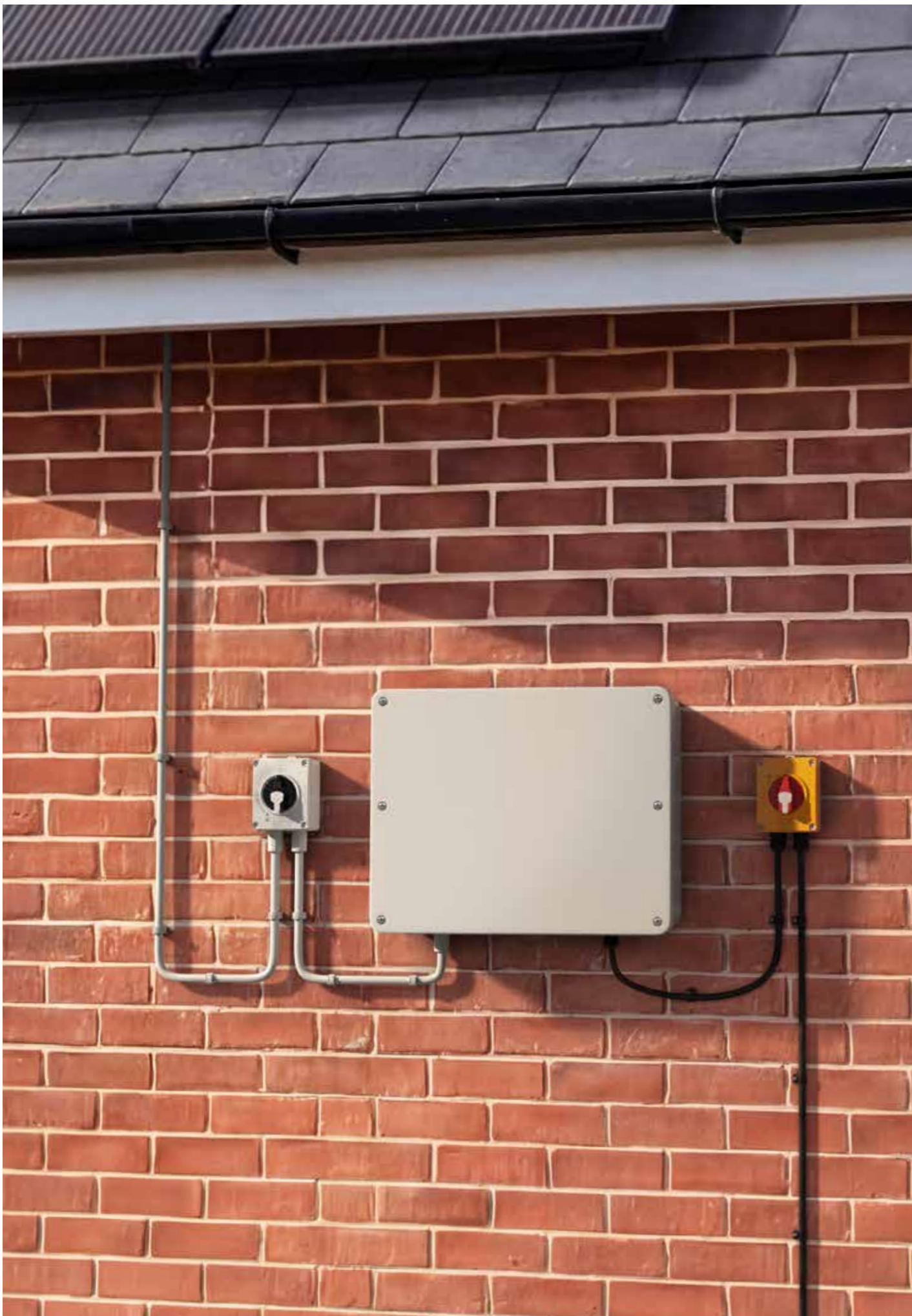
Isolators in aluminium enclosure

ISOLATORS IN ENCLOSURE 16 A ÷ 40 A

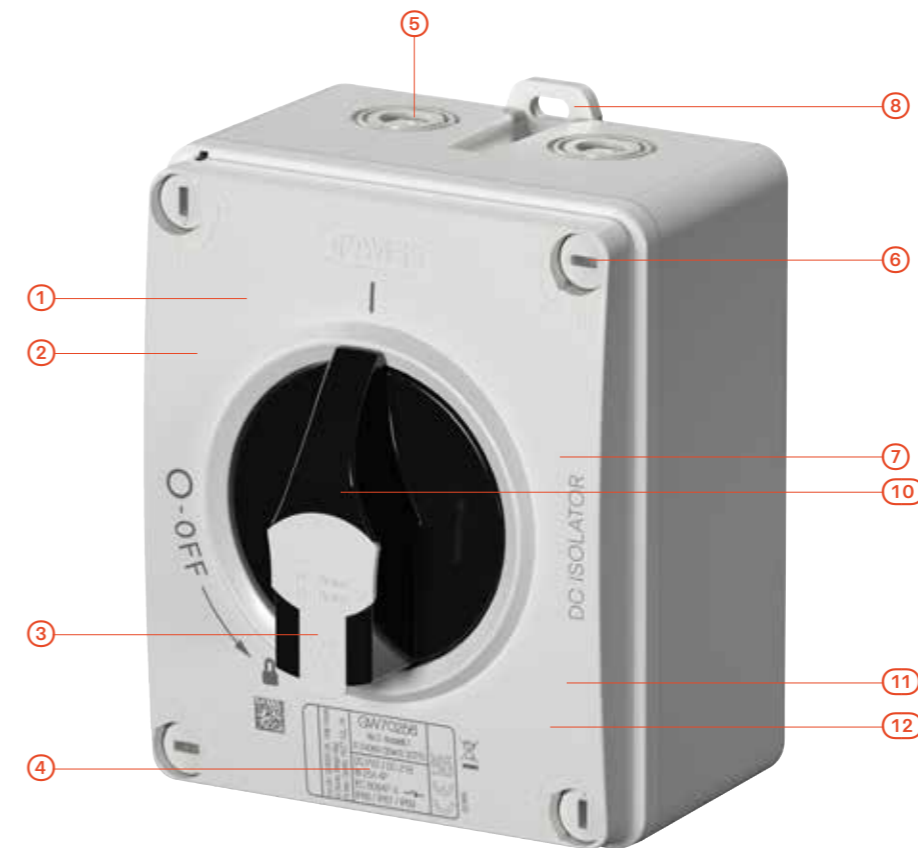


ISOLATORS IN ENCLOSURE 63 A ÷ 100 A





70 RT HP in insulating enclosure for direct current



TOTAL PROTECTION

- ① IP66 / IP67 / IP69 - Total protection from dust and water.
- ② IK08 - High level of impact resistance.
- ③ SAFETY
 - ON/OFF status indication for safe operation: visually clear.
 - Patented locking system: hidden inside the handle, allows locking in ON or OFF PADLOCKABLE position.
 - Up to 3 padlocks can be installed simultaneously.
- ④ Laser marking enables easy identification and easy reading of technical data and standards.

QUICK ASSEMBLY

- ⑤ Knockout 2xM20/M25/MC4 solar connectors on top and bottom to reduce wiring time.
- ⑥ Quarter-turn closure: reduced installation times.

- ⑦ Two earth terminals are included.
- ⑧ Double installation option: two external wall-mounting eyelets or four internal drilling points, sealable with dedicated caps to maintain the required IP rating

VERSATILITY & ACCESSORIABILITY

- ⑨ Two jumpers are supplied to allow multiple installation configurations while a jumpers kit is available as a separate item to enable 2P series + 2P parallel configurations.



RELIABILITY

- ⑩ Ergonomic handle resistant to high mechanical stress – solid grip and anti-dirt design.
- ⑪ Resistance to UV rays.
- ⑫ Good resistance to chemicals.

70 RT HP in insulating enclosure for AC - emergency version



70 RT HP in insulating enclosure for direct current

70 RT HP - SURFACE MOUNTING ROTARY ISOLATOR IN INSULATING ENCLOSURE IN DIRECT CURRENT - IP66/IP67/IP69

Versions for photovoltaic application and storage battery systems



GW 70 253

Surface-mounting isolator - control version with lockable black knob - IP66/IP67/IP69

Code	No. of poles	Outer dim. LxHxD (mm)	Cable entries	Lid screws (no. and type)	Jumpers included	Pack Carton
Rated current (A): 16						
GW 70 253	4P	125x150x107,1	2 x M12/20/25 + 2 x M12/20/25	4 insul. 1/4 turn	2	1/16
Rated current (A): 25						
GW 70 256	4P	125x150x107,1	2 x M12/20/25 + 2 x M12/20/25	4 insul. 1/4 turn	2	1/16
Rated current (A): 32						
GW 70 259	4P	125x150x107,1	2 x M12/20/25 + 2 x M12/20/25	4 insul. 1/4 turn	2	1/16



GW 70 291

Two jumpers kit

Code	For isolator	Pack Carton
GW 70 291	16 A - 25 A - 32 A	1/32

ROTARY ISOLATOR SWITCHES IN DIRECT CURRENT

Rotary disconnecter switches in insulating enclosure.
Complying with EN 60947-1:2021, EN 60947-3:2021 and EN 60947-3:2021 - Annex D.

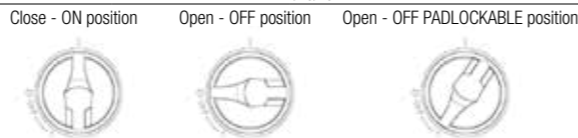
Electrical data

Rated current IEC	DC-PV2	16A				25A				32A				
		A2+2	A4	A4B - A40 - A4U	A4U	A2+2	A4	A4B - A40 - A4U	A4U	A2+2	A4	A4B - A40 - A4U	A4U	
Rated operational current IEC	Connection and disconnection of individual PV strings.	600V	A	29	16	16	36	25	25	55	32	32		
	DC-21B	1200V	A	9	9	16	12	11	25	13	13	32		
		1500V	A	3	3	16	5	4	20	6	5	23		
Rated insulation voltage Ui		VDC	1500											
Rated impulse withstand voltage Uimp		kV	8											
Thermal current Ith/Ithe		A	16 / 16				25 / 25				32 / 32			
Rated short time withstand current Icw (1s)		A	A2+2	A4	A4B - A40 - A4U	A2+2	A4	A4B - A40 - A4U	A2+2	A4	A4B - A40 - A4U	A4U		
		A	1700	1000	1700	1700	1000	1700	1700	1000	1700	1000	1700	
WIRING														
Tightening torque		Nm	1,5											
Max. flexible wire		mm ²	4 ÷ 10											
Max. rigid wire		mm ²	4 ÷ 10											

Mechanical data

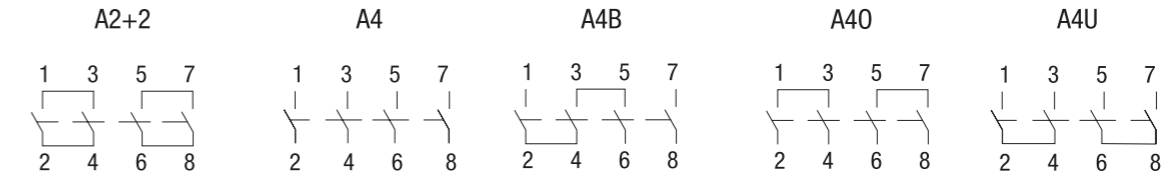
In (A)	16	25	32
Degree of protection	IP66/IP67/IP69		
Impact resistance	IK08		
Protection against indirect contact	□		
Glow Wire Test (°C)	650 (enclosure)		
Range of temperature (°C)	-25; +60		
Cable entries	Upper sides	2 x M12/20/25	
	Lower sides	2 x M12/20/25	

Knob position



Earth terminal in compliance with the following standards and regulations:
BS 7671 (IET Wiring Regulations, 18th Edition), including
- Part 5, Section 542: Earthing and bonding systems
- Section 712: Photovoltaic systems
MCS Standards: MCS 005, MCS 012, MIS 3002
G98 / G99 Network connection regulations for wiring systems up to and above 16 A per phase

WIRING DIAGRAM



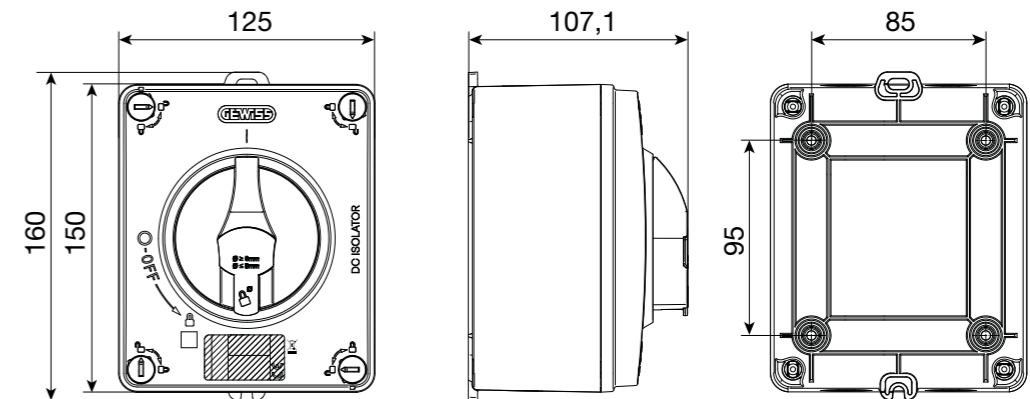
Behaviour with chemical and atmospheric agents

Saline solution	Acids		Bases		Hexane	Solvents			Mineral oil	UV rays
	Concentrated	Diluted	Concentrated	Diluted		Benzol	Acetone	Alcohol		
Resistant	Limited resistance	Resistant	Not resistant	Limited resistance	Limited resistance	Not resistant	Not resistant	Limited resistance	Resistant	Resistant

Dimension tables

Isolators in insulating enclosure

ISOLATORS IN ENCLOSURE 16 A ÷ 32 A



70 RT HP ATEX version in aluminium enclosure

70 RT ATEX DISCONNECTORS - ALUMINIUM ENCLOSURE

Control versions in aluminium alloy box



GW 70 451

ATEX rotary wall-mounting switches for control, with black knob - IP65

Code	No. of poles	Power AC3 400V (kW)	Outer dim. LxHxD (mm)	Pack Carton
Rated current (A): 16				
GW 70 451	2P	6 (230V)	140x165x135	1
GW 70 452	3P	10	140x165x135	1
GW 70 453	4P	10	140x165x135	1
Rated current (A): 32				
GW 70 454	2P	9 (230V)	140x165x135	1
GW 70 455	3P	15	140x165x135	1
GW 70 456	4P	15	140x165x135	1
Rated current (A): 63				
GW 70 457	3P	18.5	140x165x135	1
GW 70 458	4P	18.5	140x165x135	1
Rated current (A): 100				
GW 70 459	3P	30	215x252x94	1
GW 70 460	4P	30	215x252x94	1

ACCESSORIES SUPPLIED: cable gland M25 for 16A versions, M32 for 32-63A versions, and M40 for 100A.

CHARACTERISTICS: box in aluminium alloy painted in Grey RAL 7037.

ATEX Classification: Equipment-group II Category 3D.

Dust protection mode: tc.

Room temperature: -20°C ≤ Ta ≤ +40 °C.

NOTES: Can be padlocked with 3 locks in the OFF position and one in the ON position.

Emergency versions in aluminium alloy box



GW 70 471

ATEX rotary wall-mounting switches for emergency, with red knob - IP65

Code	No. of poles	Power AC3 400V (kW)	Outer dim. LxHxD (mm)	Pack Carton
Rated current (A): 16				
GW 70 471	2P	6 (230V)	140x165x135	1
GW 70 472	3P	10	140x165x135	1
GW 70 473	4P	10	140x165x135	1
Rated current (A): 32				
GW 70 474	2P	9 (230V)	140x165x135	1
GW 70 475	3P	15	140x165x135	1
GW 70 476	4P	15	140x165x135	1
Rated current (A): 63				
GW 70 477	3P	18.5	140x165x135	1
GW 70 478	4P	18.5	140x165x135	1
Rated current (A): 100				
GW 70 479	3P	30	215x252x94	1
GW 70 480	4P	30	215x252x94	1

ACCESSORIES SUPPLIED: cable gland M25 for 16A versions, M32 for 32-63A versions, and M40 for 100A.

CHARACTERISTICS: box in aluminium alloy painted in Grey RAL 7037.

ATEX Classification: Equipment-group II Category 3D.

Dust protection mode: tc.

Room temperature: -20°C ≤ Ta ≤ +40 °C.

NOTES: Can be padlocked with 3 locks in the OFF position.

70 RT ATEX DISCONNECTORS - ALUMINIUM ENCLOSURE - ZONE 22 (D)

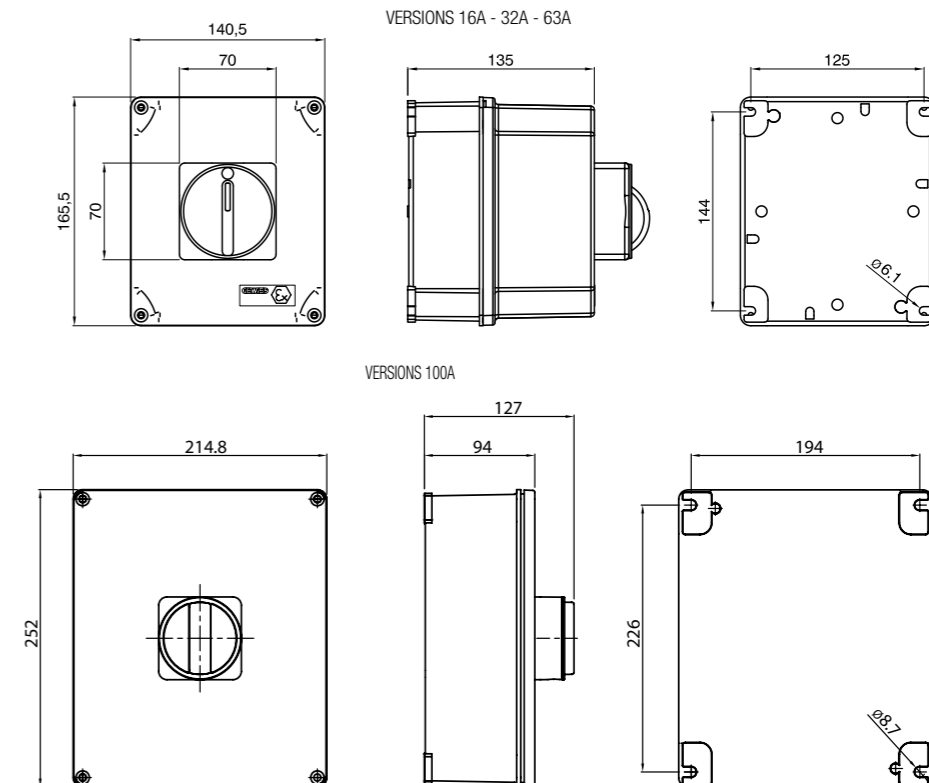
Switch disconnectors for command and emergency use in an aluminium enclosure painted in Grey RAL 7037. Suitable for use in Zone 22(D) with rated currents of 16, 32, 63, or 100A.

TECHNICAL DATA				16A	32A	63A	100A	
Vn insulation	Ui (IEC947-3)	V		800				
Vn of impulse withstand	Uimp (IEC947-3)	kV		8				
In thermal	In air	Ith (IEC947-3)	A	25	40	63	100	
	In box	Ithe (IEC947-3)	A	16	32	63	95	
In use	AC21A	Ie (IEC947-3)	400V	A	16	32	63	95
	AC22A		400V	A	16	32	63	95
Max power with three-phase motors	AC23A	IEC947-3	400V	kW	7	14	28	42
In short lifespan		Icw		A	400	800	1500	1500
In cond. of short-circuiting		IEC947-3		kAeff	10	10	15	15
CONNECTABLE SECTIONS								
Rigid cables	min-max		mm ²	1,5-16	1,5-16	2,5-35	10-70	
			AWG	16-6	16-6	14-3	8-00	
Flexible cables	min-max		mm ²	1,5-16	1,5-16	2,5-35	10-70	
			AWG	16-6	16-6	14-3	8-00	
CONDITIONS OF USE								
Ambient temperature	of storage		°C			-30; +70		
	of operation		°C			-25; +55		

NOTE: for the behavior with chemical and atmospheric agents, contact SAT Customer Service (+ 39 035/946111).

Dimension tables

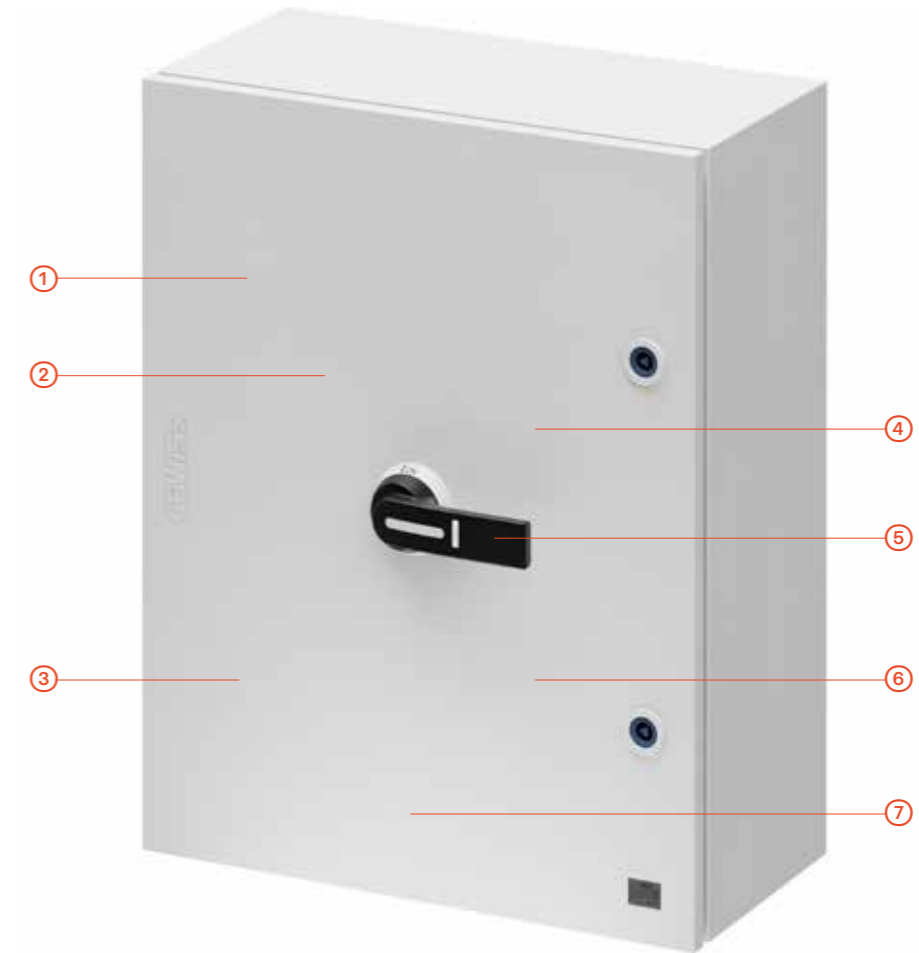
Switch disconnectors for command and emergency





70 RT HP

Version for boards/DIN rail



TOTAL PROTECTION

- ① Watertight surface-mounting distribution and automation boards.
- ② Different material available:
 - Fiberglass-reinforced polyester - IP66
 - Metal - IP55
 - Stainless steel - IP55
- ③ IK10 - Boards with blank door withstand high level of mechanical stress.
- ④ High current versions available up to 1000 A.
- ⑤ **SAFETY:** ON/OFF status indication for safe operation: visually clear.
- ⑥ Resistance to UV rays.

EASY ASSEMBLY

Installation manual available on gewiss.com



ACCESSORIABILITY

- ⑦ Housable auxiliary contacts.

Emergency version



70 RT HP version for boards/DIN rail

ROTARY ISOLATORS FOR AUTOMATION AND DISTRIBUTION BOARDS

Versions for boards 16 ÷ 160 A



GW 70 001

Isolator switches for distribution board with padlockable red/yellow knob and control transmission shaft

Code	No. of poles	No. of modules EN 50022	Regulation field	Pack Carton
Rated current (A): 16				
GW 70 001	2P	4	87 - 145 mm	1/10
GW 70 002	3P	4	87 - 145 mm	1/10
GW 70 003	4P	4	87 - 145 mm	1/10
Rated current (A): 25				
GW 70 052	3P	4	87 - 145 mm	1/10
GW 70 053	4P	4	87 - 145 mm	1/10
Rated current (A): 32				
GW 70 004	2P	4	87 - 145 mm	1/10
GW 70 005	3P	4	87 - 145 mm	1/10
GW 70 006	4P	4	87 - 145 mm	1/10
Rated current (A): 40				
GW 70 055	3P	4	87 - 145 mm	1/10
GW 70 056	4P	4	87 - 145 mm	1/10
Rated current (A): 63				
GW 70 007	3P	5	114 - 177 mm	1/5
GW 70 008	4P	5	114 - 177 mm	1/5
Rated current (A): 80				
GW 70 058	3P	5	114 - 177 mm	1/5
GW 70 059	4P	5	114 - 177 mm	1/5
Rated current (A): 100				
GW 70 061	3P	4	Max 194 mm	1/6
GW 70 062	4P	6	Max 194 mm	1/6
Rated current (A): 125				
GW 70 064	3P	4	Max 194 mm	1/6
GW 70 065	4P	6	Max 194 mm	1/6
Rated current (A): 160				
GW 70 067	3P	4	Max 194 mm	1/6
GW 70 068	4P	6	Max 194 mm	1/6

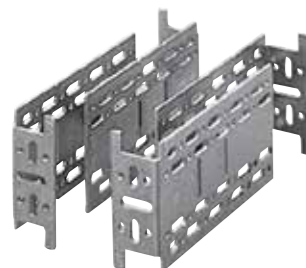
CHARACTERISTICS: the regulation field can be obtained by cutting the supplied shaft. Versions for panel/door mounting, 16A ÷ 80A, can be accessorized with GW 70 009 galvanized steel extending brackets.

Galvanized steel extending brackets for rear fixing

Code	For isolator	Regulation field	Pack Carton
Rated current (A): 16			
GW 70 009	16 A - 25 A - 32 A - 40 A - 63 A - 80 A	117-305mm (16-40A) - 144-337mm (63-80A)	1/10

CHARACTERISTICS: the regulation field can be obtained by cutting both the supplied shaft and the extension brackets at the reference points shown.

ACCESSORIES SUPPLIED: self-tapping screw kit.



GW 70 009

Versions for boards 200 ÷ 1000 A



GW 70 070

Isolator switches for distribution board with padlockable black knob and control transmission shaft

Code	No. of poles	No. of modules EN 50022	Regulation field	Pack Carton
Rated current (A): 200				
GW 70 070	3P	9	152 - 246 mm	1
GW 70 071	4P	11	152 - 246 mm	1
Rated current (A): 250				
GW 70 073	3P	9	152 - 246 mm	1
GW 70 074	4P	11	152 - 246 mm	1
Rated current (A): 315				
GW 70 076	3P	12	161 - 256 mm	1
GW 70 077	4P	14	161 - 256 mm	1
Rated current (A): 400				
GW 70 079	3P	12	161 - 256 mm	1
GW 70 080	4P	14	161 - 256 mm	1
Rated current (A): 630				
GW 70 085	3P	16	212 - 282 mm	1
GW 70 086	4P	20	212 - 282 mm	1
Rated current (A): 800				
GW 70 088	3P	16	212 - 282 mm	1
GW 70 089	4P	20	212 - 282 mm	1
Rated current (A): 1000				
GW 70 091	3P	16	212 - 282 mm	1
GW 70 092	4P	20	212 - 282 mm	1

Versions for fixing on DIN rail



GW 70 203

Isolator switches for DIN rail with black knob

Code	No. of poles	No. of modules EN 50022	Pack Carton
Rated current (A): 16			
GW 70 201	2P	4	1/24
GW 70 202	3P	4	1/24
GW 70 203	4P	4	1/24
Rated current (A): 32			
GW 70 204	2P	4	1/24
GW 70 205	3P	4	1/24
GW 70 206	4P	4	1/24
Rated current (A): 63			
GW 70 207	3P	5	1/12
GW 70 208	4P	5	1/12

70 RT HP version for boards/DIN rail

RECOMMENDED DISTRIBUTION BOARD FOR DIFFERENT ROTARY ISOLATOR SWITCHES

DISTRIBUTION BOARD					N. of poles		ROTARY ISOLATOR SWITCHES													
					3P		GW 70 070	GW 70 073	GW 70 076	GW 70 079	GW 70 085	GW 70 088	GW 70 091							
					4P		GW 70 071	GW 70 074	GW 70 077	GW 70 080	GW 70 086	GW 70 089	GW 70 092							
Dimensions LxHxD (mm)	46 QP POLYESTER BOARDS IP66	46 QM METAL BOARDS IP55	46 QX STAINLESS STEEL BOARDS IP55	Back-mounting plate	Tamb (Thermal check according CEI 17-43)															
																				
515 x 650 x 250	GW 46 005 F	GW 46 035		GW 46 405	25 °C		✓	✓												
					30 °C		✓	✓												
					35 °C		✓	✓												
585 x 800 x 300	GW 46 006 F	GW 46 036	GW 46 056	GW 46 406	25 °C		✓	✓	✓	✓										
					30 °C		✓	✓	✓	✓										
					35 °C		✓	✓	✓											
800 x 1060 x 350	GW 46 007 F	GW 46 037		GW 46 407	25 °C		✓	✓	✓	✓	✓	✓	✓	✓	✓	✓	✓	✓		
					30 °C		✓	✓	✓	✓	✓	✓	✓	✓	✓	✓	✓	✓	✓	✓
					35 °C		✓	✓	✓	✓	✓	✓	✓	✓	✓	✓	✓	✓	✓	✓
	 Set of 4 brackets for fixing surface-mounting boards GW46446/GW46451			Shaft for board				Included		GW 70 040							GW 70 041			

NOTE: the table above shows the compatibility and recommended boards for each isolator switch at various ambient temperatures. The back mounting plate and the shaft are required. Select the correct version as indicated in the table. Refer to section "46 Watertight surface-mounting distribution and automation boards" on the GEWISS catalogue for any further information related to the boards and their accessories.

LEGEND:
 - Compatible
 - Suggested

70 RT HP version for boards/DIN rail

ROTARY ISOLATOR SWITCHES FOR DISTRIBUTION BOARDS

Rotary disconnecter switches in versions for board (16 A ÷ 1000 A) or for DIN rail (16 A ÷ 63 A).
Complying with EN 60947-3 standard.

Electrical data 16 A ÷ 160 A 2P, 3P, 4P

Rated current IEC		16A	25A	32A	40A	63A	80A	100A	125A	160A	
Rated insulation voltage Ui	VAC	690	690	690	690	690	690	1000	1000	1000	
Rated impulse withstand voltage Uimp	kV	4	4	4	4	4	4	8	8	8	
Thermal current Ith/Ithe	A	16	25	32	40	63	80	100	125	160	
Rated operational current IEC	AC21A	415V A	16	25	32	40	63	80	100	125	160
	Resistive loads, including moderate overloads	500V A	16	25	32	40	63	80	100	125	160
	AC22A	415V A	16	25	32	40	63	80	100	125	160
Rated operational current IEC	Mixed resistive and inductive loads, including moderate overloads	500V A	16	25	32	40	63	80	100	100	
	AC23A	415V A	16	25	32	40	63	80	100	125	125
	Switching of motor loads or other highly inductive loads (3 phases/3 poles)	500V A	16	25	32	40	63	80	80	100	100
Rated short time withstand current Icw (1s)	A	160	250	320	400	630	800	2500	2500	2500	
Conditional short circuit current (Icc)	415V	10	10	10	10	6	6	10	10	10	
	500V	6	6	6	6	6	6	6	6	6	
Associated fuse for conditional short circuit current - Type gG	A	16	25	32	40	63	80	100	125	160	
WIRING											
Tightening torque	Nm	1			3			6			
Max. flexible wire	mm ²	1 ÷ 10			2,5 ÷ 25			4 ÷ 70			
Max. rigid wire	mm ²	1 ÷ 10			2,5 ÷ 25			4 ÷ 70			

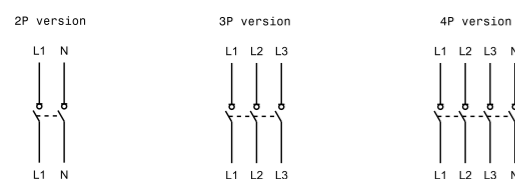
NOTE: the surface of the wiring terminals is knurled to improve the grip of the stripped cable inserted into the terminal and to facilitate wiring operations.

Electrical data 200 A ÷ 1000 A 3P, 4P

Rated current IEC		200A	250A	315A	400A	630A	800A	1000A	
Rated insulation voltage Ui	VAC	1000	1000	1000	1000	1000	1000	1000	
Rated impulse withstand voltage Uimp	kV	12	12	12	12	12	12	12	
Thermal current Ith/Ithe	A	200	250	315	400	630	800	1000	
Rated operational current IEC	AC21A	415V A	200	250	315	400	630	800	1000
	Resistive loads, including moderate overloads	500V A	200	250	315	400	630	800	1000
	AC22A	690V A	200	250	315	400	630	800	1000
Rated operational current IEC	Mixed resistive and inductive loads, including moderate overloads	415V A	200	250	315	400	630	800	1000
	AC23A	500V A	200	250	315	400	630	800	1000
	Switching of motor loads or other highly inductive loads (3 phases/3 poles)	690V A	200	250	315	400	630	800	800
Rated short time withstand current Icw (1s)	kA	6	6	12,5	12,5	20	20	20	
Conditional short circuit current (Icc)	415V	100	100	80	80	80	80	50	
	500V	100	100	80	80	80	80	50	
	690V	100	100	80	80	80	80	50	
Associated fuse for conditional short circuit current - Type gG	A	200	250	315	400	630	800	1000	
WIRING									
Tightening torque	Nm	22		37		75			
Max. flexible wire	mm ²	70 ÷ 185		1 x 185 ÷ 2 x 185		2 x 185			
Max. rigid wire	mm ²	70 ÷ 185		1 x 185 ÷ 2 x 185		2 x 240			

NOTE: For versions from 200 to 800A in applications with voltages ≥ 500V, phase barriers are required. The 1000A version is supplied with phase separators, which are necessary for use with voltages of 415V or higher.

WIRING DIAGRAM



Auxiliary Contacts 16 A ÷ 160 A

TECHNICAL DATA	
Type: Auxiliary Contacts NO or NC	Thermal current in Air (Ith): 16 A
Rated insulation voltage (Ui): 400 V	Thermal current in enclosure (Ithe): 10A
Conditional short circuit current (Icc - 400 V): 1 kA	Rated impulse withstand voltage (Uimp): 4 kV
Associated fuse size for conditional short circuit current - Type gG: 6A	Category of use AC15: 6A (240V)
Tightening torque: 0,8 Nm	3A (400V)

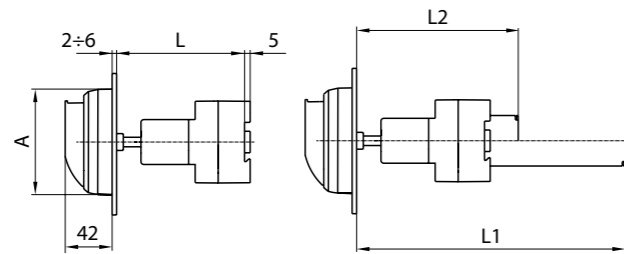
Auxiliary Contacts 200 A ÷ 1000 A

TECHNICAL DATA	
Type: Auxiliary Contacts EB or NC	Thermal current in Air (Ith): 16 A
Rated insulation voltage (Ui): 690 V	Rated impulse withstand voltage (Uimp): 6 kV
Conditional short circuit current (Icc - 690 V): 1 kA	Category of use AC15: 6A (240V)
Associated fuse size for conditional short circuit current - Type gG: 10A	3A (400V)

70 RT HP version for boards/DIN rail

Dimension tables

Rotary isolator switches for board: panel/door mounting 16 A ÷ 80 A

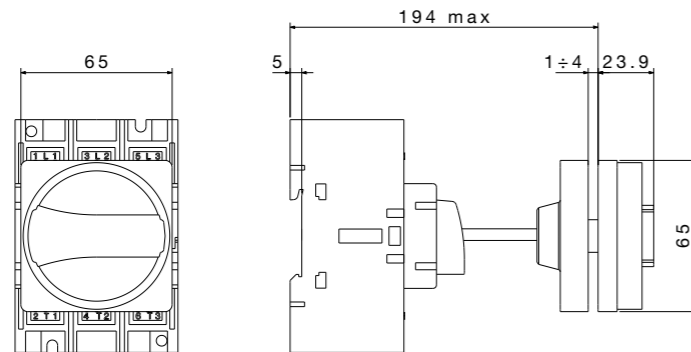


Isolator	WITHOUT BRACKETS		WITH BRACKETS		A
	Supplied with L	Adjustable up to L*	L1 max length obt.	L2 min length obt.**	
16A - 25A - 32A - 40A	145	87	(145+160) 305	(87+30) 117	ø 94
63A - 80A	177	114	(117+160) 337	(114+30) 144	ø 94

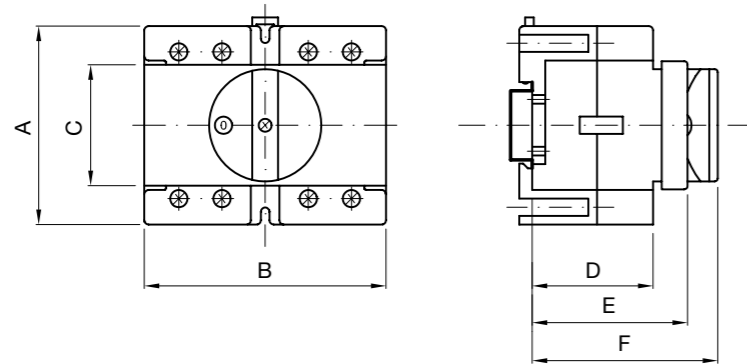
(*) Position obtainable by cutting the shaft supplied.

(**) Position obtainable by cutting both the shaft supplied, and the brackets, in the points shown.

Rotary isolator switches for board: panel/door mounting 100 A ÷ 160 A



Rotary isolator switches for board: DIN rail mounting EN 50022 16 A ÷ 63 A

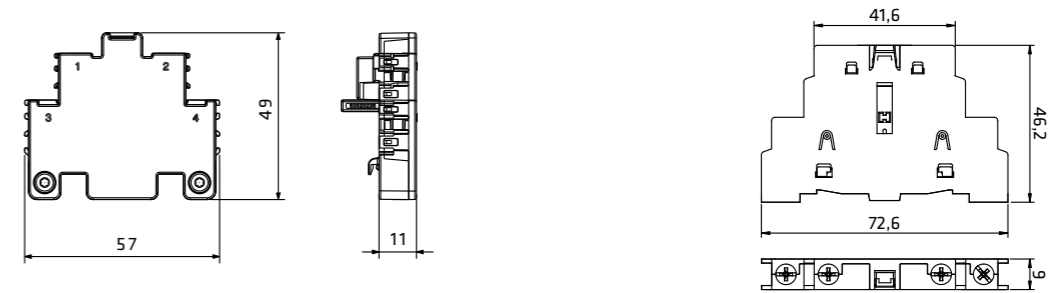


Type	A	B	C	D	E	F
16 - 32A	55	71 ●	45	37	53	68
63 A	73	89 ▲	45	44	56	68

● Occupies 4 modules (17,5 mm). ▲ Occupies 5 modules (17,5 mm).

Dimension tables

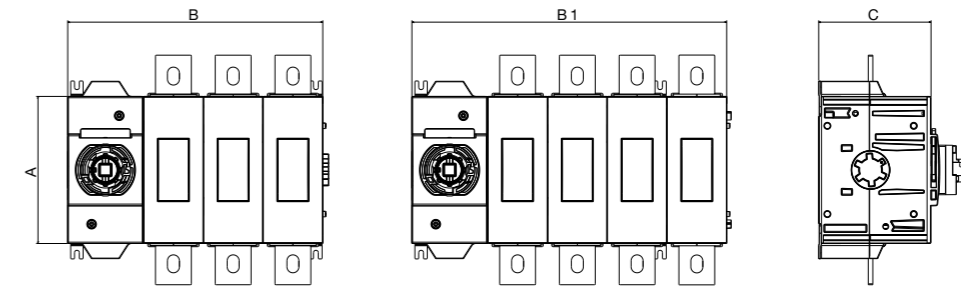
Auxiliary Contacts 16 A ÷ 160 A



For isolator 16 - 25 - 32 - 40 - 63 - 80A

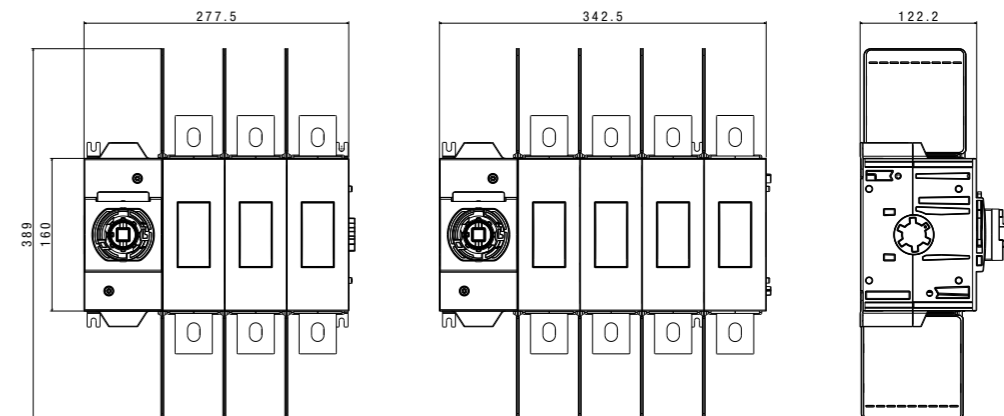
For isolator 100 - 125 - 160A and 16-100A 6P and 8P

Rotary isolator switches for board: panel/door mounting 200 A - 800 A



Isolator	A	B	B1	C
200 A - 250 A	105	157	192	76.3
315 A - 400 A	120	197	242	85.4
630 A - 800 A	160	277.5	342.5	122.2

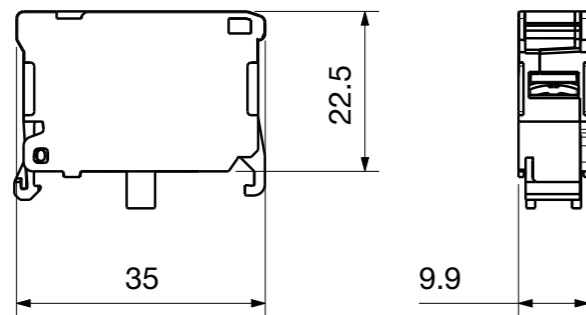
Rotary isolator switches for board: panel/door mounting 1000 A



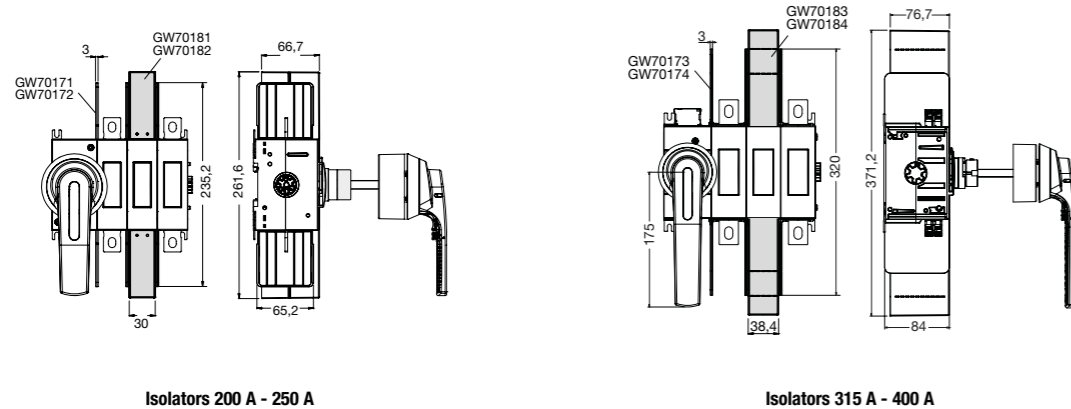
70 RT HP version for boards/DIN rail

Dimension tables

Auxiliary Contacts 200 A ÷ 400 A



Phase barriers and terminal covers 200 A ÷ 400 A

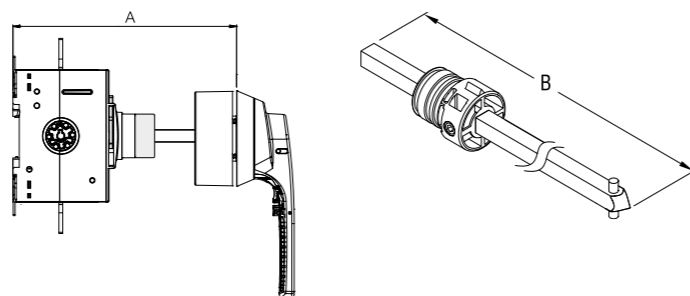


Isolators 200 A - 250 A

Isolators 315 A - 400 A

Shafts for panel/door mounting knob A 200 A ÷ 400 A

Isolator	A	B
200A - 250A	124 ÷ 244	200
	124 ÷ 344	300
315A - 400A	157 ÷ 277	200
	157 ÷ 377	300
630A - 1000A	212 ÷ 282	200
	212 ÷ 282	300



Complementary items

COMPLEMENTARY ITEMS



GW 70 026

Auxiliary contacts

Code	Type of contact	For isolator	Pack Carton
GW 70 026	1 NO + 1 NC	16 A - 25 A - 32 A - 40 A - 63 A - 80 A	1/12
GW 70 027	2 NO	16 A - 25 A - 32 A - 40 A - 63 A - 80 A	1/12
GW 70 028	2 NC	16 A - 25 A - 32 A - 40 A - 63 A - 80 A	1/12
GW 70 029	1 NO + 1 NC	100 A - 125 A - 160 A e 16-100A 6P and 8P	1/12
GW 70 035	1 NC	200 ÷ 1000 A	1/12
GW 70 036	1 EB	200 ÷ 1000 A	1/12



GW 70 040

Shafts for board versions

Code	Length	For isolator	Pack Carton
GW 70 040	300 mm	200 ÷ 400 A	1/20
GW 70 041	300 mm	630 ÷ 1000 A	1/20



GW 70 171

Phase barriers

Code	Kit	For isolator	Pack Carton
GW 70 171	6 pieces	200 ÷ 250 A 3P	1/20
GW 70 172	8 pieces	200 ÷ 250 A 4P	1/20
GW 70 173	6 pieces	315 ÷ 400 A 3P	1/20
GW 70 174	8 pieces	315 ÷ 400 A 4P	1/20
GW 70 175	6 pieces	630 A ÷ 1000 A 3P	1/20
GW 70 176	8 pieces	630 A ÷ 1000 A 4P	1/15



GW 70 181

Terminal covers

Code	Kit	For isolator	Pack Carton
GW 70 181	3 pieces	200 ÷ 250 A 3P	1/20
GW 70 182	4 pieces	200 ÷ 250 A 4P	1/15
GW 70 183	3 pieces	315 ÷ 400 A 3P	1/10
GW 70 184	4 pieces	315 ÷ 400 A 4P	1/10
GW 70 185	3 pieces	630 A ÷ 1000 A 3P	1/8
GW 70 186	4 pieces	630 A ÷ 1000 A 4P	1/6



GW 44 622

Insulating screw caps

Code	Description	Modules	Pack Carton
GW 44 622	Screwcap Ø16mm	-	10/100
GW 44 623	Screwcap Ø25mm	-	10/100

NOTE: required to maintain the double insulation and the IP protection degree when drilling the internal fixing points to install the versions in the insulating box.

GEWISS S.p.A.

Registered Office: Via Domenico Bosatelli, 1
24069 Cenate Sotto (BG), Italy

T +39 035 946 111

E gewiss@gewiss.com

www.gewiss.com

Bergamo Business Register / VAT / Tax Code (IT) 00385040167

Economic and Administrative Index 107496 - Share Capital 60,010,000.00 EUR fully paid up

Visit www.gewiss.com
and follow us

