



System Pura

Design that inspires, technology that simplifies

GEWISS

Contents

System Pura The wiring devices range synonymous with quality	5	⑩ Selection guide	55
① Modern	6	⑪ Commercial technical tables	69
② Reliable	16	⑫ Dimension tables	107
③ Versatile	18	⑬ Trade assistance	115
④ Smart	20		
⑤ Environmentally conscious	22		
⑥ Tailored solutions for every application context	24		
⑦ Why choose System Pura	26		
⑧ Smart Home	28		
⑨ Home&Building Pro ThinkNrx	52		



System Pura

The wiring devices range synonymous with quality

System's experience, internationally recognised for its quality and reliability, has led to the development of **System Pura**, GEWISS' wiring devices range that integrates Italian-made design with robust materials and smart home technology. Designed to be versatile and functional, reliable and intelligent, System Pura is the wiring devices range that meets every installation need, from traditional electrical systems to smart homes. The range includes solutions using components with up to 64% bio-based materials and recycled technology polymers, designed for those seeking sustainability without compromising the quality GEWISS is known for.

System Pura is the perfect synergy **between the reliability of the traditional wiring devices range**, the potential provided by **smart functions** and **modern design**.



MODERN



RELIABLE



VERSATILE



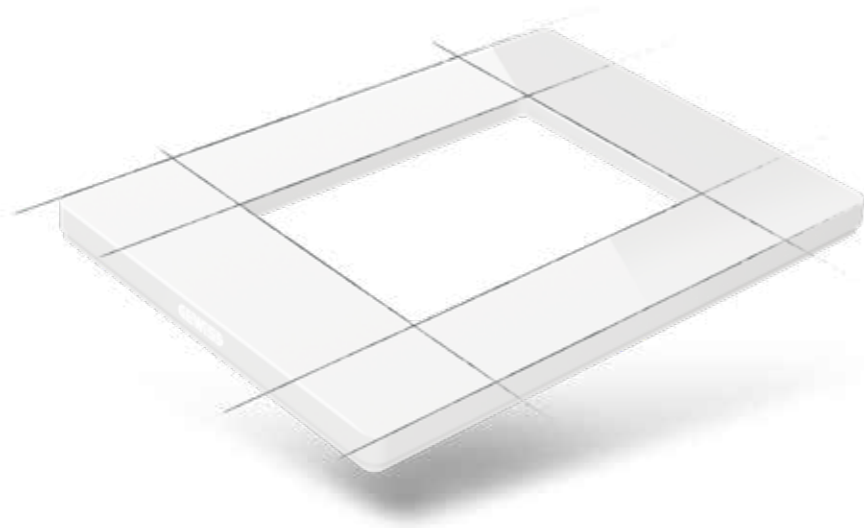
SMART



ENVIRONMENTALLY CONSCIOUS



System Pura represents excellence in design and functionality. With **modern, clean lines**, shapes blend seamlessly into any setting, adding a touch of elegance and refinement.



The **completely flat front surface of the plate** offers a clean, harmonious aesthetic, while the **reduced thickness** conveys an immediate feeling of **lightness** and **sobriety**. The curve of the plate corners, inspired by the devices in the range, draws soft and elegant angles.



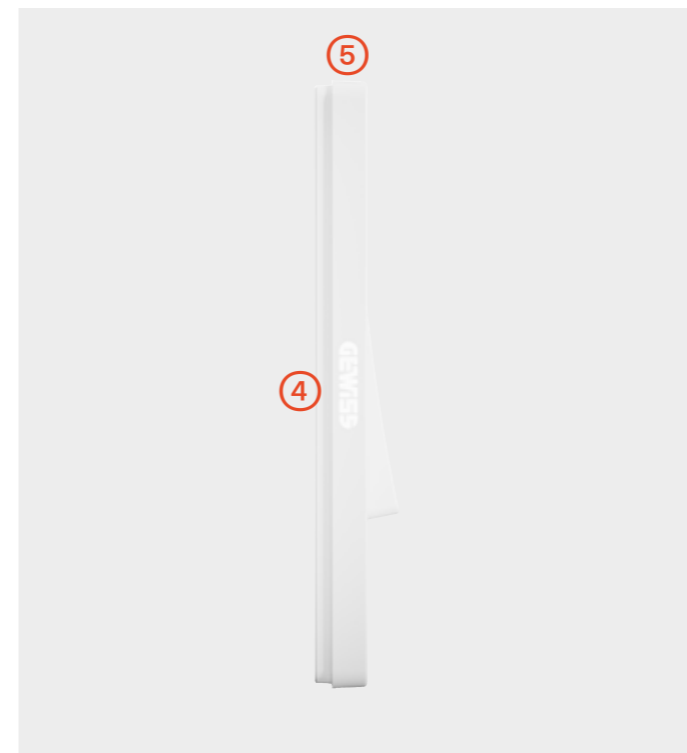
The style of the lighting point is enriched by the different **geometries of the control units**: one classic shape, with **a concave profile** that creates a slight protrusion, making the button easy to identify by touch, and one minimalist shape, **with a flat surface** and perfectly aligned buttons. The white LEDs reflect the series' pure colour identity. Every detail is designed to achieve charm, character and functionality.

The ongoing search for durable, reliable materials goes hand in hand with continuous evolution in both mechanical and environmental performance. It is at the intersection of design and performance that the product expresses its full technical and aesthetic value.



- ① Completely flat front surface
- ② Control unit with concave profile
- ③ Control unit with flat surface

Traditional and smart home control units are created with the same aesthetic to ensure seamless visual harmony.



- ④ Low-relief logo on a satin-finished profile for an elegant aesthetic
- ⑤ Reduced plate thickness (7 mm) and button thickness (9 mm) for a compact, modern design that elegantly blends into any environment

The range includes halogen-free solutions that comply with EN IEC 63355:2022, helping to improve the safety of people and the environment, without compromising performance.

Plates

Selecting System Pura plates means focusing on quality, care for the environment and timeless design.

3 themed lines

for seamless matching with any device, either traditional or smart, thanks to monochrome versions and neutral and natural shades

9 colour tones

for a collection of plates that satisfy every aesthetic preference

3 finishes

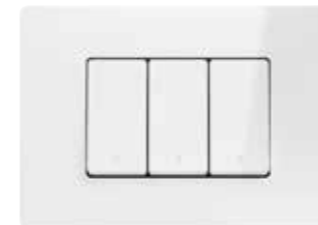
glossy, satin and textured, to meet all the design and décor needs

7 modularity

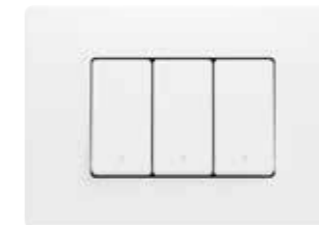
available in 1, 2, 3, 4 and 6 modules, and multiple 4+4 and 6+6 modules (glossy white only)

Monochrome

The power of simplicity, the elegance of the essential



Glossy white



Satin white



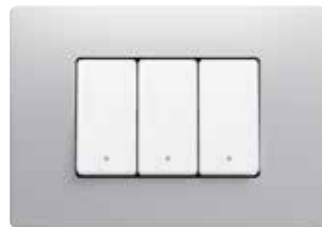
Satin black

Neutral shades

Magnetic, to create a serene and timeless atmosphere



Materic smoke gray



Silver

Natural shades

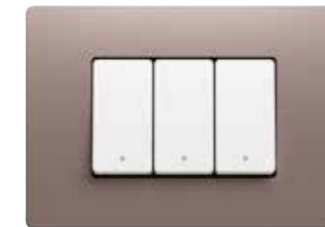
Earthy tones for warm, authentic environments



Almond



Champagne



Light dove



Matcha

Control devices

Tradition and modernity come together in a unique style for control units that combine elegance and functionality.

2

traditional and smart home, to meet any application need

technologies

2

concave profile with a wide curving radius that adds dynamism to the lighting point, and a flat surface for perfect continuity with design of the plates

button geometries

2

black and white

colours

2

glossy: white
satin: black and white

finishes

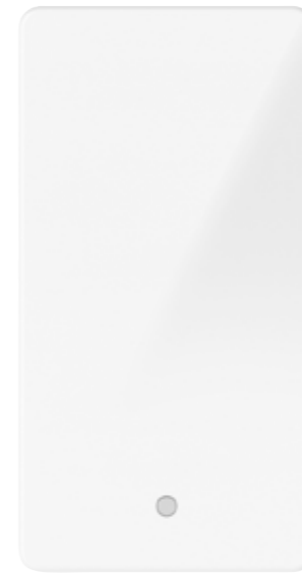
5

LEDs in white (default), blue, red, green, amber

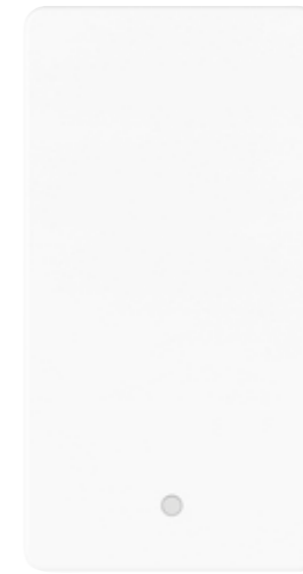
button back light colours



Traditional and smart home control units share the same aesthetic, ensuring a consistent visual harmony within the environment



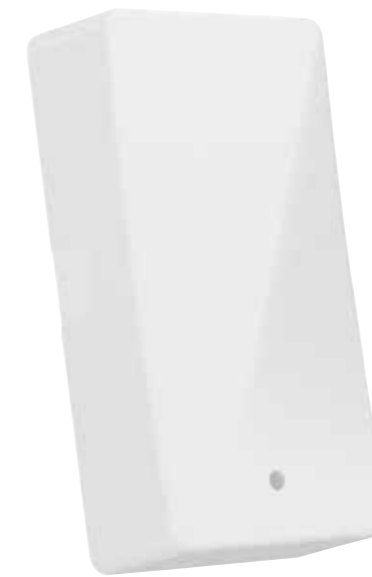
Glossy white
Essential and bright



Satin white
Elegant and decisive



Satin black
Refined and bold



Concave control units
Rocker control units with a concave profile and wide curving radius



Flat control units
Rocker switches with flat surface, flush-mounted with the faceplate, dual-action operation.



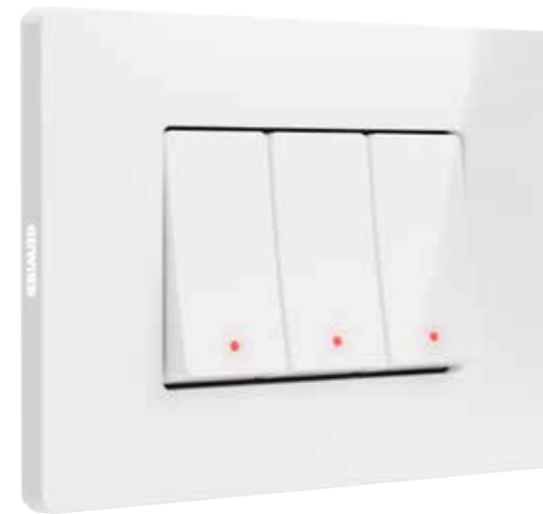
Monochrome glossy-finish white



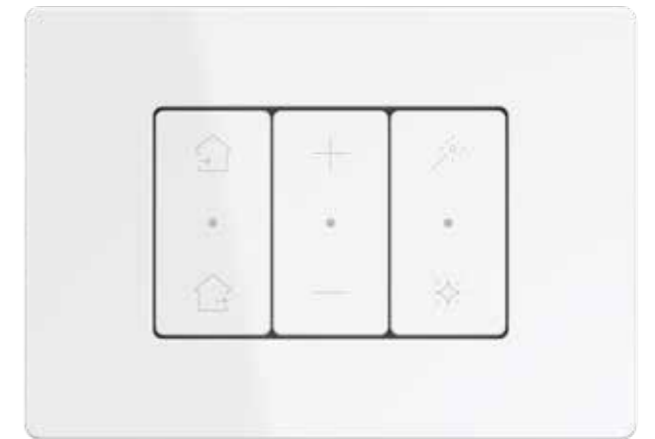
Monochrome satin-finish black



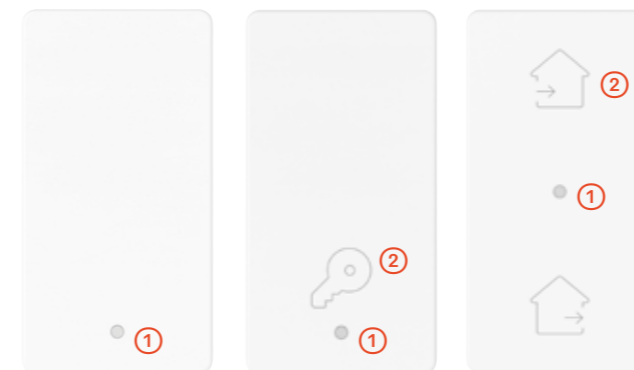
Monochrome satin-finish white



Commands with a concave profile



Commands with a flat surface



① Backlit buttons with white LED lights (default). Traditional controls without light diffuser are also available, offering maximum design flexibility and aesthetic adaptability within any application.

② Elegant signalling icons.



The LED signalling units come with cables colour-matched to the light source - a design choice that simplifies visual identification during installation. For greater installation flexibility, a version with quick-connect terminals is also available.



Thanks to its long-standing experience in the electrotechnical field and the know-how developed over the years with the wiring devices ranges, GEWISS has reached a new milestone: creating a range that is not only technologically advanced and stylish, but also extremely reliable, as demonstrated by laboratory tests and the numerous quality certifications obtained.



Plates, supports and electromechanical devices are made with carefully selected technopolymers, designed to last over time, even in harsh conditions.

Resistance to chemical and atmospheric agents												
Component	Agent		Acids		Bases		Solvents				Mineral oil	UV rays
	Water	Salin solution	Concentrated	Diluted	Concentrated	Diluted	Hexane	Benzol	Acetone	Ethyl alcohol		
Plates	Resistant	Resistant	Limited resistance	Resistant	Resistant	Resistant	Resistant	Limited resistance	Not resistant	Not resistant	Resistant	Resistant
Devices	Resistant	Limited resistance	Not resistant	Limited resistance	Limited resistance	Resistant	Resistant	Resistant	Resistant	Resistant	Resistant	Resistant

■ Resistant
 ■ Limited resistance
 ■ Not resistant
 The resistance values indicated are valid for an ambient temperature not exceeding 40°C



Robust traditional mechanism designed to ensure reliability and safety, even under **heavy loads up to 16AX**.



For many years, GEWISS has been committed to ensuring the safety, quality and durability of its products, with the aim of maximising the benefits for customers and users and reducing the amount of waste in the environment. For this reason, GEWISS has decided to extend the quality guarantee to the traditional products of the System Pura Wiring Devices Range to a **3-year period** (*) from the date of purchase, covering the quality of the materials, assembly and functionality of the device.

(*) Valid for EU countries. The 3-year warranty is provided in accordance with the applicable GEWISS terms and conditions, published at gewiss.com.



GEWISS has an advanced **in-house laboratory** that ranks **2nd in Europe and 4th internationally**, with the capacity to manage up to 94 different types of standards.



The achievement of **more than 10 quality marks** worldwide is further confirmation of the reliability of the System Pura range.

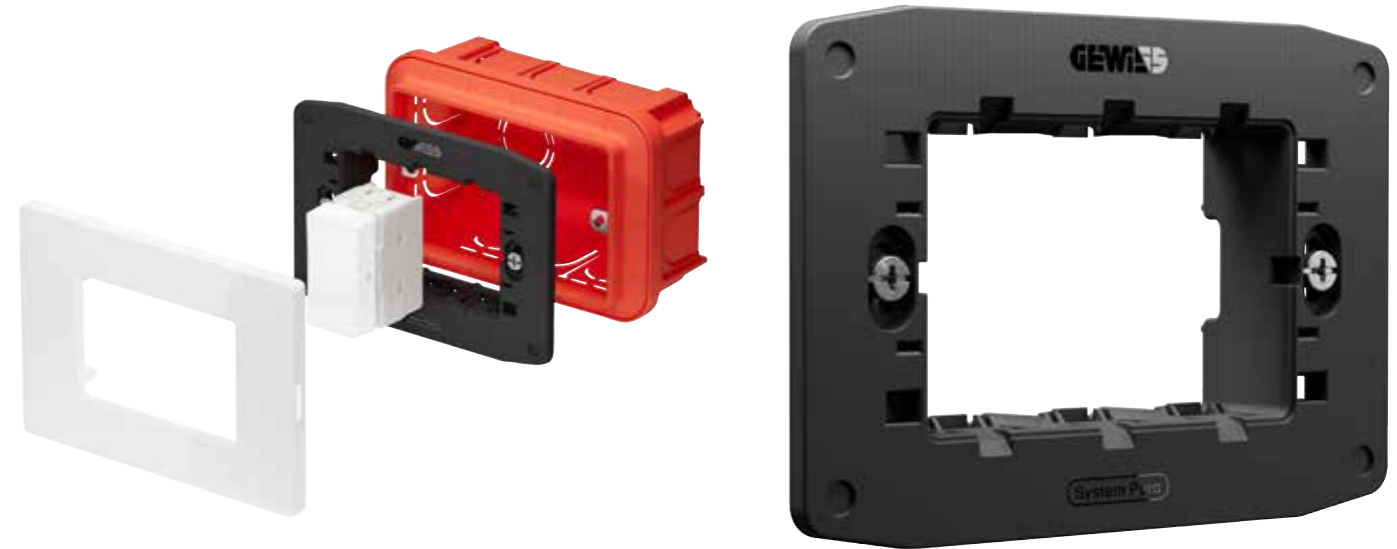


PLATE SUPPORTS



The frontal installation of devices simplifies any work, allowing for attachment and release without removing the support from the flush-mounted box. A solution designed to facilitate changes and updates, reducing intervention time.



“Double principle” device attachment system: the first position allows the device to be pre-attached to the support without the use of tools, while the second click allows the device to be permanently attached.



The support is not only functional, but is also an aesthetic element, thanks to the **embossed texture**, which ensures a **safer grip** during installation.



The supports are supplied with **long screws**, designed to simplify fitting even when flush-mounted boxes are set deep into the wall. A practical solution that **facilitates installation** and maintenance.



The supports are made from materials that are **halogen-free** in compliance with EN IEC 63355:2022.



The supports are made from technopolymers containing **up to 70% recycled content** and are recyclable at their end of life. A design choice that concretely demonstrates GEWISS’ commitment to responsible use of resources, without reducing technical performance.

③ Versatile



The System Pura wiring devices range provides great flexibility during the design phase and for the selection and installation of system components and accessories, thanks to a comprehensive range of devices, both traditional and smart home, which meet the different application and technological integration needs.



USB Chargers

Type-C USB Ports - Power Delivery 30/63W



Data Transmission

Data and TV/SAT



International socket-outlet standards

Single and dual power socket-outlets



Hotel management

Solutions for the hospitality sector



With System Pura, the **traditional system evolves**, paving the way for new digital capabilities and experiences, creating an all-embracing ecosystem that accompanies the user throughout day-to-day life.

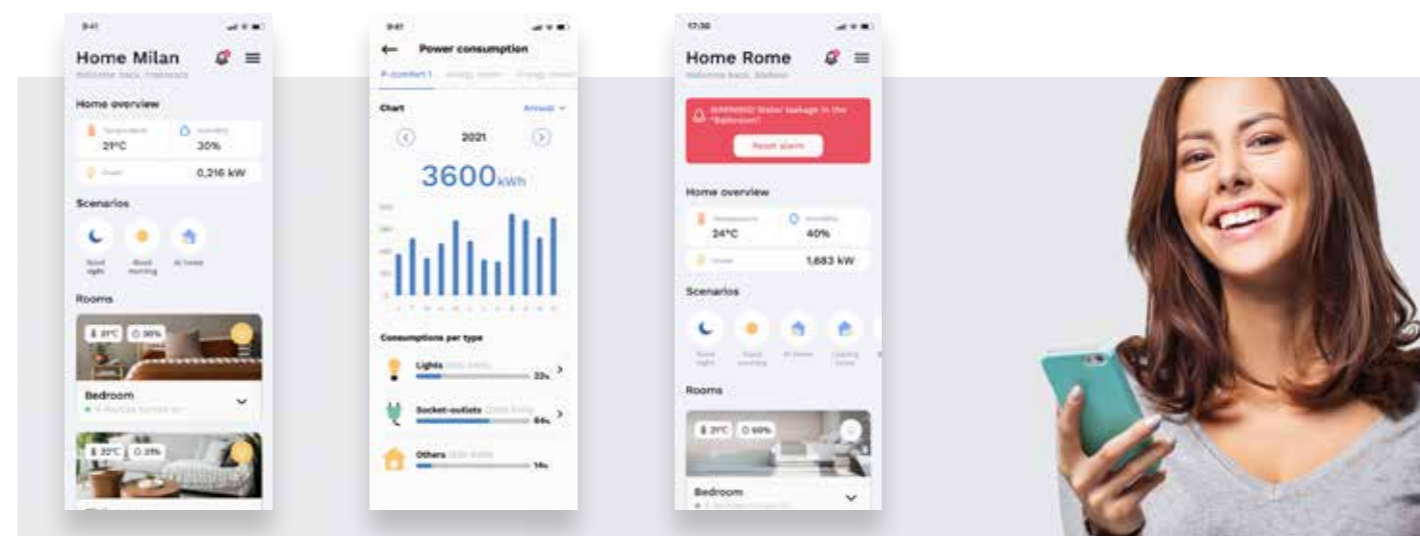
GEWISS **smart devices** are simple to install since they are wired in the same way as a traditional electrical installation; they are intuitive to configure, innovative and elegant.

For new electrical systems or those undergoing an update, GEWISS is the perfect solution to manage lighting, shutters, motorised awnings and blinds, scenarios, temperature, controlled sockets, and to control the consumption of your home **without invasive or costly structural intervention**.

Smart control of the system is made easy and intuitive thanks to **the Home Gateway app** and voice commands, making **domestic life simple and safe** for people of all ages, even with motor or functional disabilities.

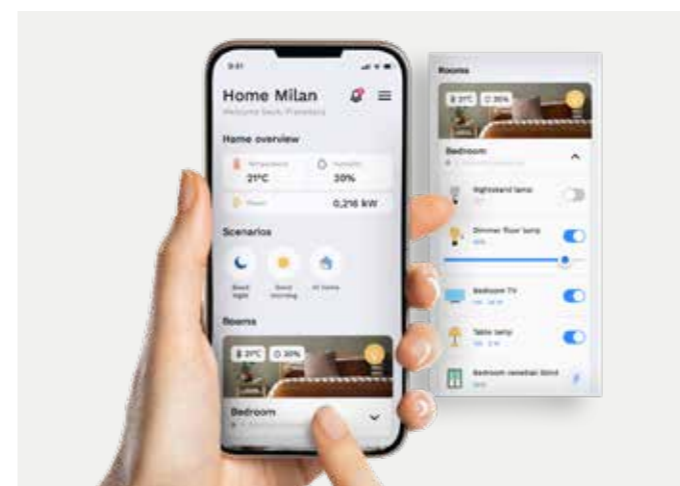


Advantages for your customer



COMFORT, SAVINGS AND SAFETY

The System Pura Smart Home **makes everyday life easier** through solutions for centralised climate control, optimisation and energy monitoring, while providing greater security in your home environment.



ONE APP FOR EVERY NEED

The **Home Gateway app** allows you to manage all smart devices of the GEWISS ecosystem, from system configuration to usage. With modern, streamlined graphics, your home can be monitored, controlled and optimised in just a few clicks.



VOICE CONTROLS

Using your favourite voice assistant - **Alexa or Google Assistant** - you can manage your home with simple voice commands, an ideal solution even for people with disabilities.

5

Environmentally conscious



Traditional 1-module control buttons - available in concave profile or with a flat surface - are made using components with **up to 64% bio-based* materials** and with the use of recycled technology polymers. This choice combines advanced technology, aesthetic quality and care for resource origins.



The range includes halogen-free solutions that comply with EN IEC 63355:2022, which defines requirements for reducing toxic and corrosive gas emissions in the event of a fire.



The painted plates use **water-based paints**, without the use of solvents and are formulated to guarantee exceptional aesthetics and functional performance.



White and black plates are made from plastic material with **up to 50% post-consumer recycled content**, sourced from a selected separate waste collection and from recycling operations. Light dove plates also use post-consumer recycled plastic, with a maximum of 30%.



The technopolymer used in plate supports has **up to 70% recycled material**.



Instruction sheets and packaging are designed to minimise the use of materials, promoting responsible use of resources and ensuring correct information for the end user.



Wireless, battery-free technology for ZigBee push-buttons: **the energy harvesting system** permanently eliminates the need for batteries, simplifying installation and maintenance.



Sustainability is also social: connected smart home devices improve quality of life and the safety of environments.

* Made with renewable raw materials, mainly from oil extracted from castor seeds - a plant grown in semi-arid areas that requires very little water to grow.



⑥ Tailored solutions for every application context

System Pura combines the best of two worlds: the reliability and robustness of materials from System's expertise, and the modern design and innovation of Smart Home. The result is a perfect balance between aesthetics, functionality and performance, designed for every installation need.



RESIDENTIAL



RETAIL



HOSPITALITY



OFFICE



7

Why choose System Pura

Advantages for installation technicians

- + **High-performance technopolymers and reliable components**, developed from the proven experience of the System and ChoruSmart ranges, ensure long-lasting durability and consistent performance even in the most demanding applications.
- + **Front release of the modules**, without having to unscrew and remove the support from the box.
- + Smart features are designed to be integrated quickly and easily with an intuitive system that makes it easy to set up and programme devices. Affordable technology designed to make the smart home experience instant and accessible to everyone.
- + Confident in the quality achieved, GEWISS has extended the **warranty to 3 years** for traditional products of the System Pura wiring devices range.



Advantages for customers

- + Minimalist yet detailed design, with glossy and satin finishes and a rich colour palette for harmonious integration into any environment.
- + The range can also be expanded at a later stage by adding smart functions, while maintaining the same family feeling as the traditional range.

Advantages for the environment

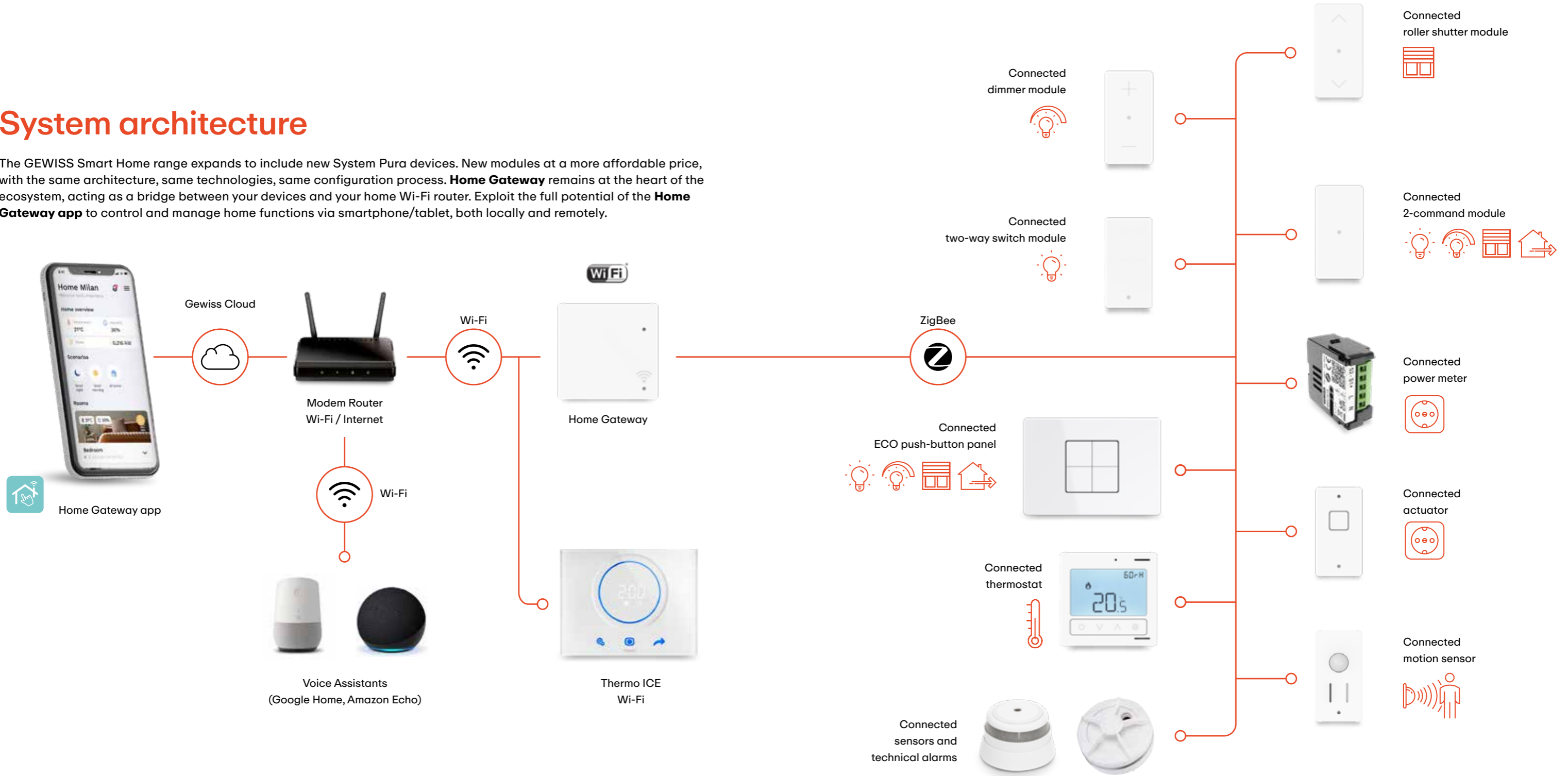
- + The range includes halogen-free solutions.
- + White, black and light dove plates are made from post-consumer **recycled material**.
- + Plate paints are **water-based**.
- + The buttons on traditional 1-module control devices are made from components with **up to 64% bio-based materials** and recycled technopolymers.
- + The supports are made **up to 70% recycled material**.

⑧ Smart Home

Ecosystem

System architecture

The GEWISS Smart Home range expands to include new System Pura devices. New modules at a more affordable price, with the same architecture, same technologies, same configuration process. **Home Gateway** remains at the heart of the ecosystem, acting as a bridge between your devices and your home Wi-Fi router. Exploit the full potential of the **Home Gateway app** to control and manage home functions via smartphone/tablet, both locally and remotely.



BASIC FUNCTIONS

Basic functions such as light control, blinds, dimming, and temperature setting work immediately, even without system configuration.

SMART FUNCTIONS

Smart functions come into play via a simple app-guided commissioning once devices have been connected to your home Wi-Fi via the Home Gateway. Discover all the features of the GEWISS system: from advanced scenarios to consumption monitoring, from load management to full supervision, all easily managed through the app or voice assistants.

GEWISS ECOSYSTEM

Exploit System Pura devices, ECO push-button panels and Thermo ICE Wi-Fi to build **a complete experience** that answers to your customers' needs. Not enough? Learn how ThinKnx solutions (pag. 52) can dramatically expand manageable features.

THIRD PARTY INTEGRATION

The system is compatible with the **IFTTT** platform, enabling logic operations via applets used to automate scenarios and actions by leveraging GEWISS devices and third-party services such as email, appliances and artificial intelligence services. In addition, connect the Home Gateway app with **Google** or **Alexa** to control your home with simple voice commands.

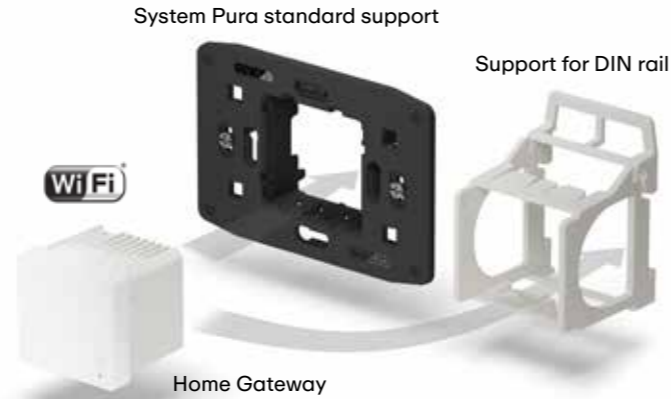
Build your smart system

Creating a smart system is very easy as System Pura devices use the same electrical connections as in a traditional installation, with no changes required to the home distribution board.

1 HOME GATEWAY SET-UP

Install the Home Gateway in a standard flush-mounting box. Make sure it is well within the Wi-Fi signal range of your home router.

Alternatively, the Home Gateway can be also installed in the apartment distribution board using DIN-rail supports, subject to signal quality check.



2 ENRICH THE TRADITIONAL SYSTEM

Exploit the full Smart Home range to extend your traditional system's functionalities. For example, you can add thermostats, motion sensors, and load actuators for added security, comfort, and energy savings.



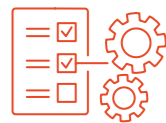
3 DOWNLOAD HOME GATEWAY APP

Download the app from the app stores and install it on your smartphone or tablet to continue setting up your devices.



4 ASSOCIATE AND CONFIGURE CONNECTED DEVICES

Associate smart devices with Home Gateway and easily configure all system functions!



The configuration phase is done! From now on all the home features are available for your customer to use, even remotely, via the Home Gateway app!

Connected ECO push-button panel

Wireless device that transmits commands (to manage lights, shutters, control sockets, etc.) via the four front buttons, **without the need for cables, power or batteries**. It can be added to the system or repositioned freely according to installation needs.

VERSATILE

It can be mounted on any surface, wall or recessed, or simply placed on a surface (table, bedside table) as a simple remote control. Wireless technology lets you move and reposition it wherever your customer wants it, even at a later moment.

Wall mounted: via the provided pre-drilled base that can accommodate rectangular plates.

Flush mounted: via the supplied adapter it can be installed on all System Pura supports just like any device with 2 modules.

WITHOUT BATTERIES

The technology it is built allows self-charging using the energy generated by pressing the buttons: no battery to install, replace or dispose of. **Fewer interventions, more efficiency and more sustainability.**

MULTIFUNCTION

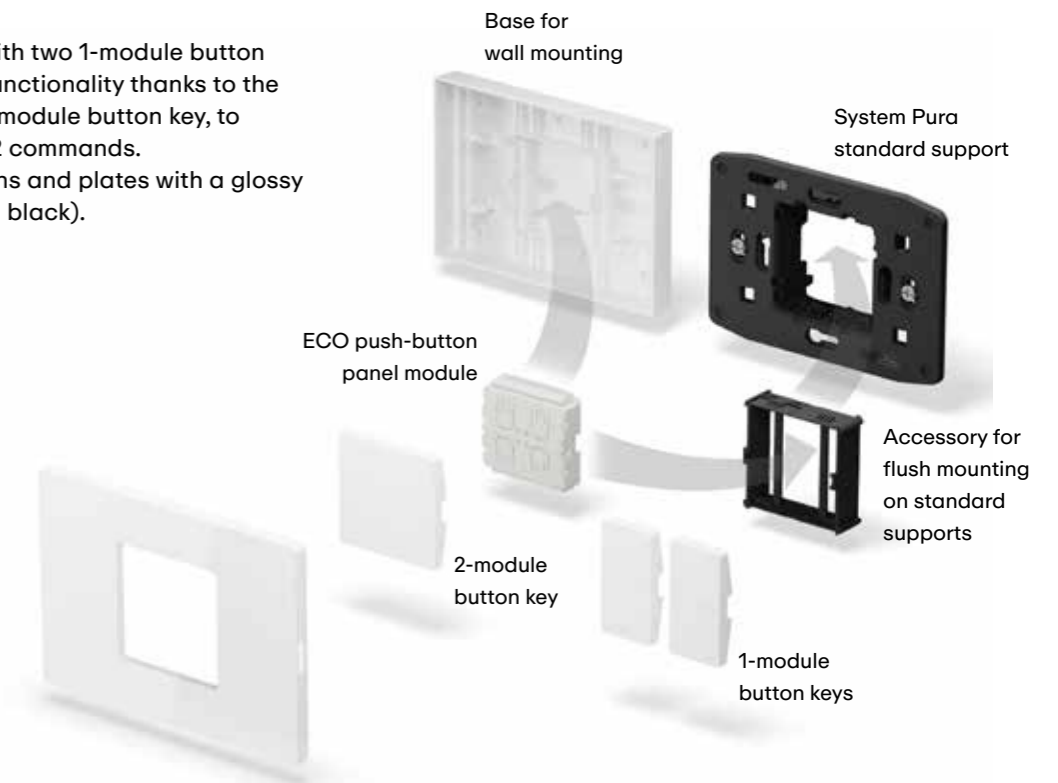
Handles up to **4 command points**, configurable to operate individually or in pairs, and lets you execute scenarios, control lights on/off and dimmers, shutters, awnings and general purpose actuators.

CUSTOMISABLE

The ECO push-button panel comes without dedicated buttons, giving you maximum freedom of customisation and flexibility in installation.

Modularity: to be completed with two 1-module button keys, to ensure maximum multifunctionality thanks to the 4 commands, or with a single 2-module button key, to facilitate its usability with only 2 commands.

Three colour variations: buttons and plates with a glossy (white) or satin finish (white and black).

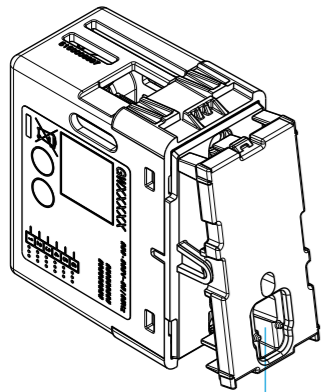


Wiring diagrams

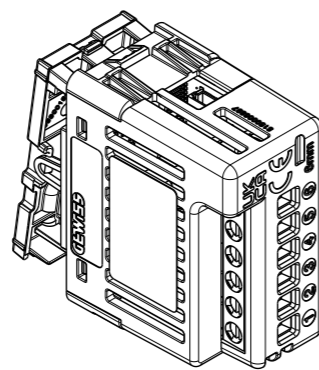
Connected rocker two-way switch module

Rocker device with front button and 2 interlocked relay outputs 2A (AC1), to create the two-way switch function. Equipped with a ZigBee technology radio module. To be completed with interchangeable button keys, available in System Pura 1-module for flush-mounting.

GW A1 301
1 Module



TERMINAL DESCRIPTION



- 6 Neutral
- 5 Line
- 4 Input 1
- 3 Input 2
- 2 Output 1
- 1 Output 2

White LED for night-time localisation or to display the status of the local load

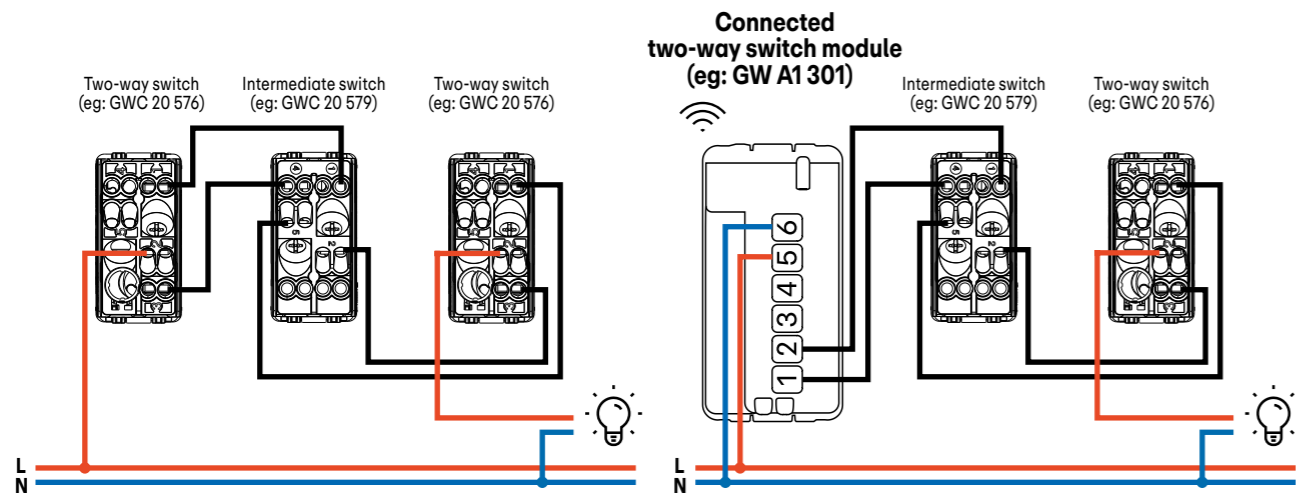
WIRING DIAGRAMS: TRANSFORMING AN EXISTING SYSTEM INTO A SMART SYSTEM

Wiring example of the connected two-way switch module into an inverted light circuit* in an existing traditional system.

* The process is the same even in the case of an interrupted or diverted light circuit.

TRADITIONAL ELECTRICAL INSTALLATION

SMART SOLUTION

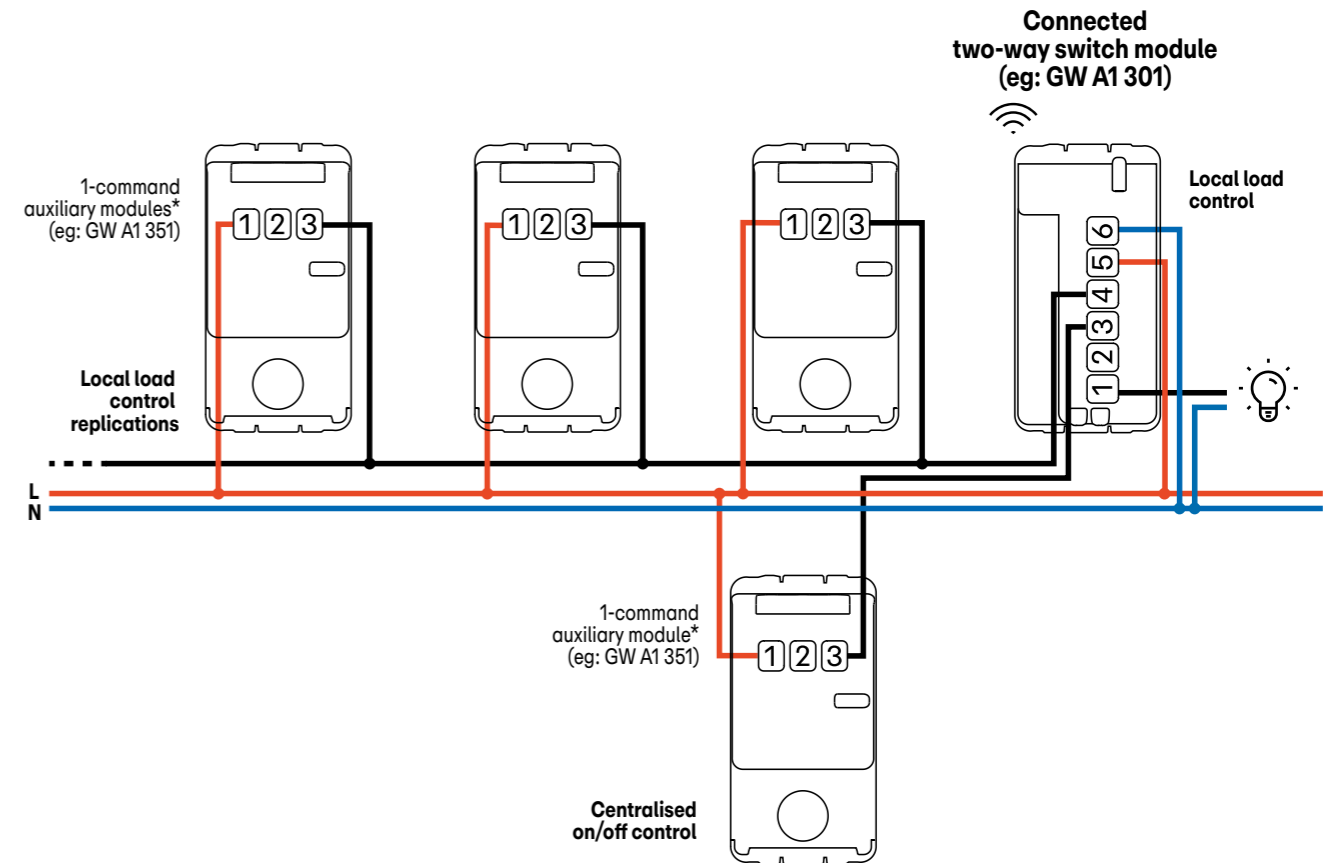


EXPLANATION

The two inputs of the connected two-way switch module can be connected to NO contacts (e.g.: auxiliary modules, traditional push-buttons and switches) and used independently of each other to replicate the command of the local load or send generic commands or ZigBee statuses in the system (e.g.: on/off scenarios). Their functionality is set up during the configuration phase.

WIRING DIAGRAMS

Wiring example of the connected two-way switch module to make a 4-point controlled light circuit, with the addition of a centralised on/off control. Alternatively, the centralised command can be configured to send any ZigBee command (scenarios, on/off lights, dimmers, etc.).



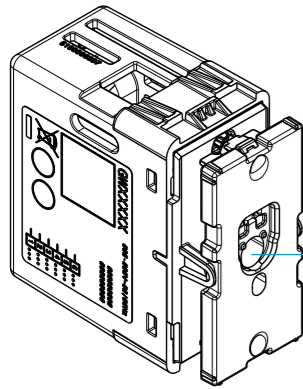
* The device can be enhanced with a LED signalling unit (sold separately) to indicate the status of the local load or for location purposes, powering the unit separately with phase (using terminal 2 of the module) and neutral. Additionally, as an alternative to the GW A1 351 auxiliary module, the traditional GWC 20 510 push-button can be used, maintaining maximum aesthetic homogeneity.

When installing new systems, the use of auxiliary inputs to replicate local command or execute ZigBee commands greatly simplifies all wiring operations and minimises the number of components, thus reducing the cost of the system.

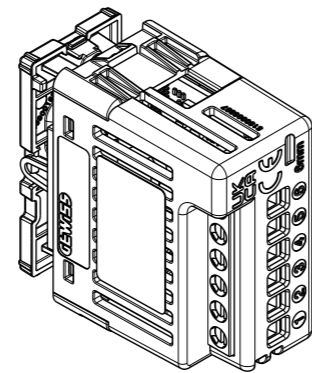
Connected rocker dimmer module

Rocker device with 2 front buttons for dimming through a dimmer output (4-150W). Equipped with a ZigBee technology radio module. To be completed with interchangeable button keys, available in System Pura 1-module for flush-mounting.

GW A1 321
1 Module



TERMINAL DESCRIPTION



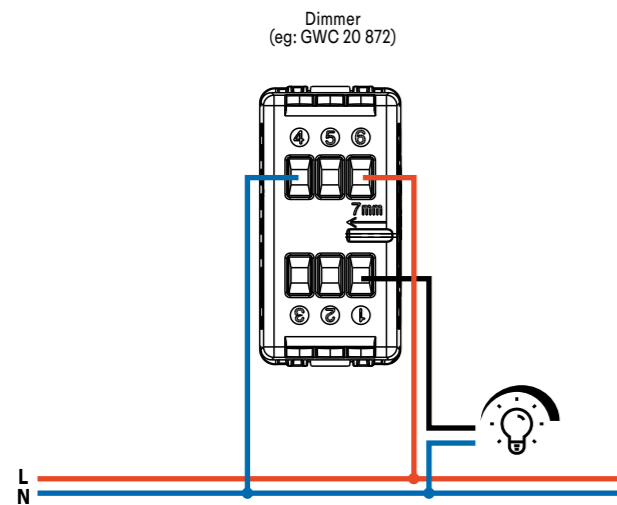
- 6 Neutral
- 5 Line
- 4 Input 1
- 3 Input 2
- 2 Not used
- 1 Output

White LED for night-time localisation or to display the status of the local load

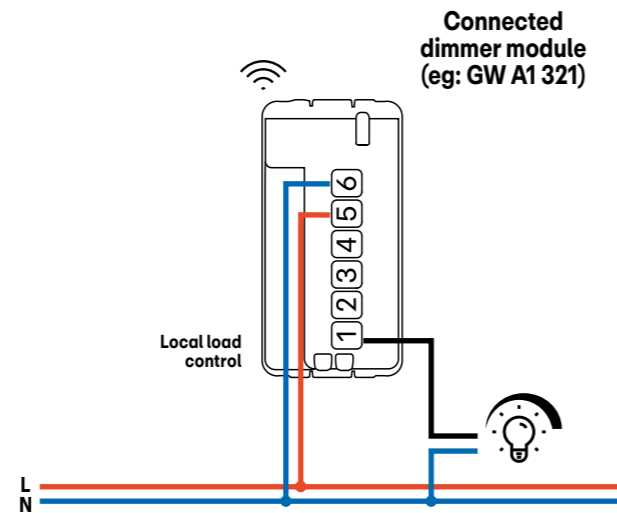
WIRING DIAGRAMS

Wiring example of the connected dimmer module to transform an existing traditional system into a smart system or for the installation of a new system.

TRADITIONAL ELECTRICAL INSTALLATION



SMART SOLUTION

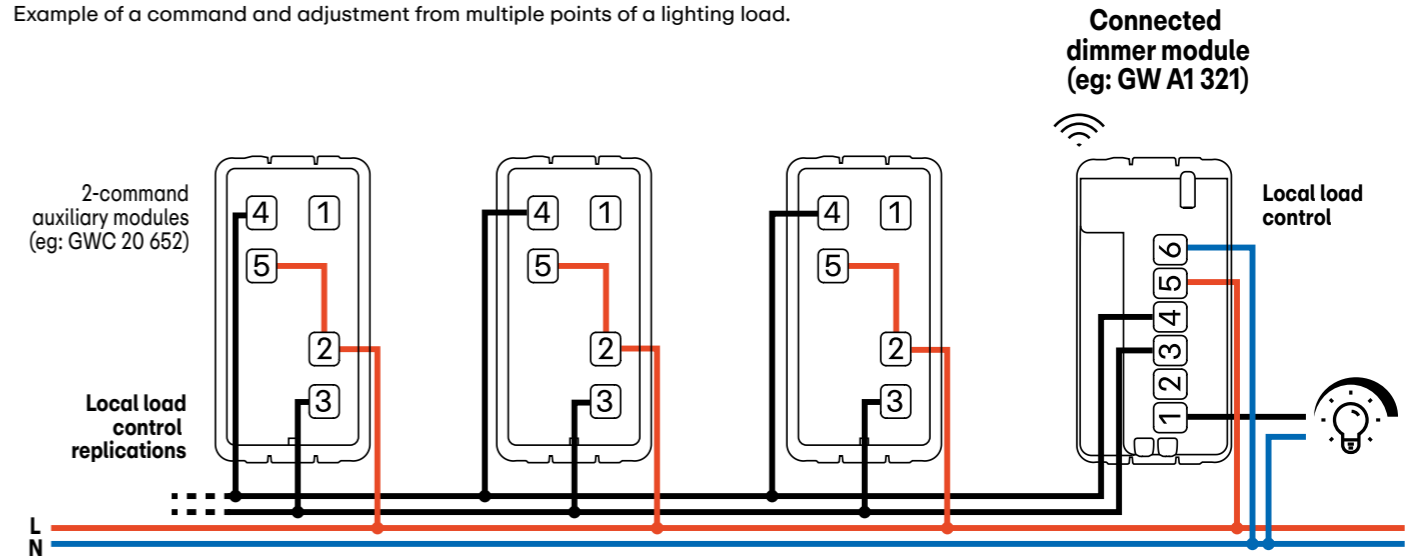


EXPLANATION

The two inputs of the connected dimmer module can be connected to NO contacts (e.g.: auxiliary modules, traditional push-buttons and switches, sensors) and be used **in pairs**, to replicate local lighting load regulation or to send generic commands or ZigBee statuses in the system (e.g.: on/off, dimmer, blinds, scenarios), or **separately**, with one of the two inputs to replicate the command for local load regulation and the other input to send a generic command or ZigBee status to the system. Their functionality is set up during the configuration phase.

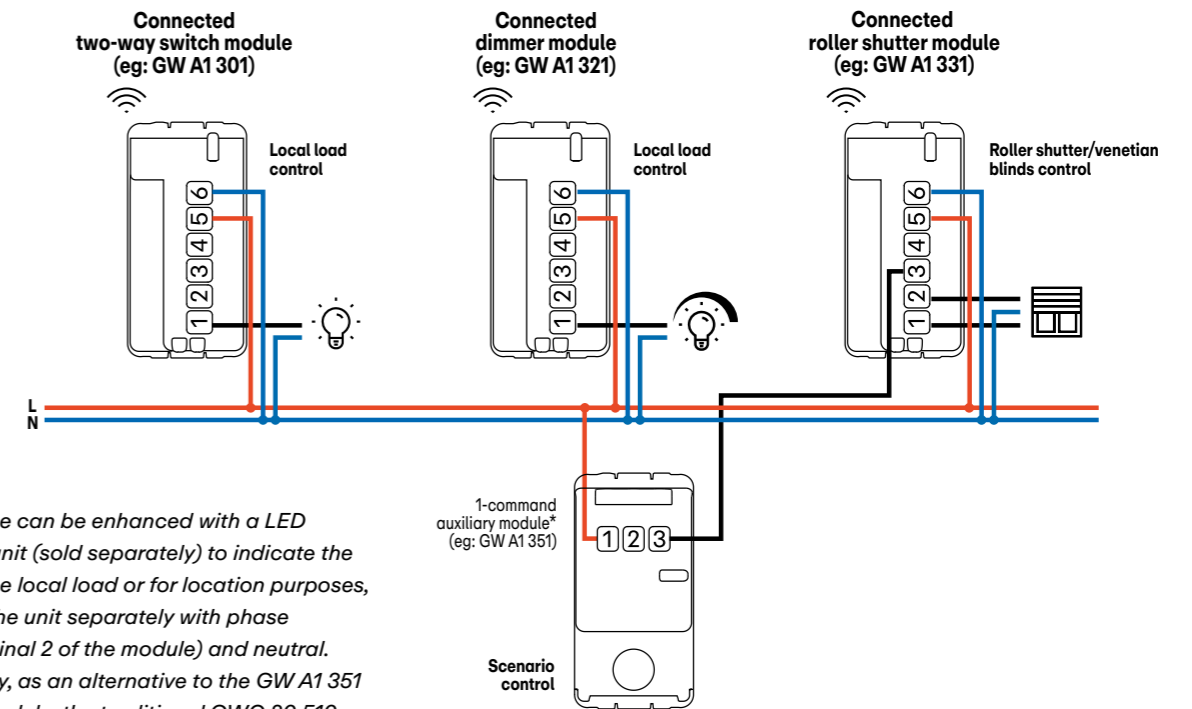
WIRING DIAGRAMS

Example of a command and adjustment from multiple points of a lighting load.



WIRING DIAGRAMS

Wiring example of creating a "leaving home" scenario command, for switching off lights and closing blinds/venetians, using a 1-command auxiliary module. To create a scenario command, you can also use a connected 2-command module (e.g.: GW A1 341) and/or ECO push-button panels (e.g.: GW A1 391).



* The device can be enhanced with a LED signalling unit (sold separately) to indicate the status of the local load or for location purposes, powering the unit separately with phase (using terminal 2 of the module) and neutral. Additionally, as an alternative to the GW A1 351 auxiliary module, the traditional GWC 20 510 push-button can be used, maintaining maximum aesthetic homogeneity.

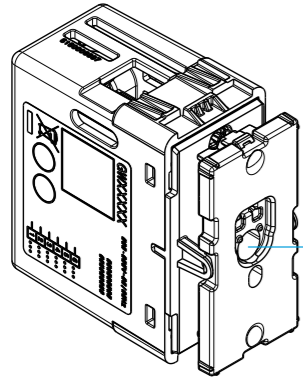
EXPLANATION

Auxiliary modules used to duplicate or centralise the control of lighting loads, do not need to be wired directly to the connected dimmer modules that manages the loads. They can instead be connected to the two auxiliary inputs of any smart device within the system.

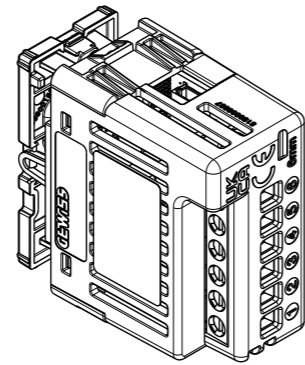
Connected rocker roller shutter module

Rocker device equipped with 2 front buttons for moving shutters, curtains, awnings, Venetian blinds, rollers and for louvre adjustment, through 2 interlocked 2.3A output contacts. Equipped with a ZigBee technology radio module. To be completed with interchangeable button keys, available in System Pura 1-module for flush-mounting.

GW A1 331
1 Module



TERMINAL DESCRIPTION



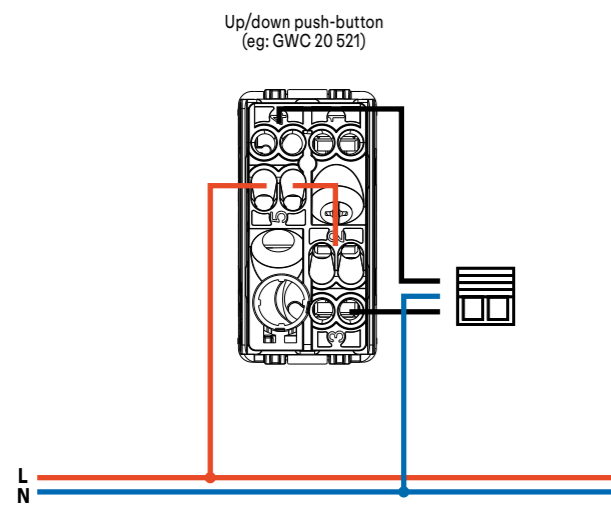
- 6 Neutral
- 5 Line
- 4 Input 1
- 3 Input 2
- 2 Output 1
- 1 Output 2

White LED for night-time localisation or signalling of the movement of the roller shutter/venetian blinds

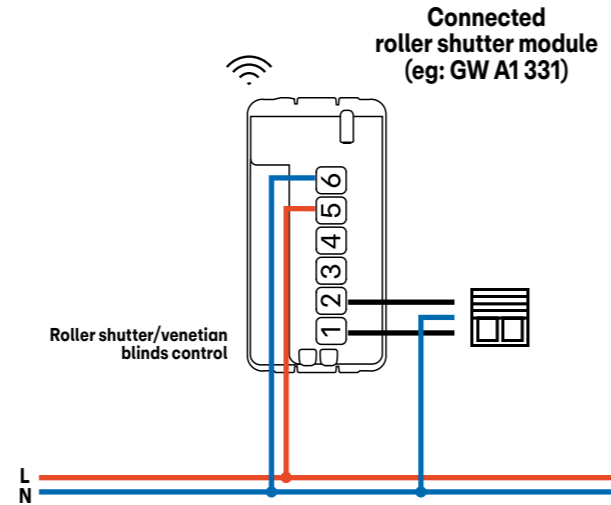
WIRING DIAGRAMS

Wiring example of the connected roller shutter module to transform an existing traditional system into a smart system or for the installation of a new system.

TRADITIONAL ELECTRICAL INSTALLATION



SMART SOLUTION

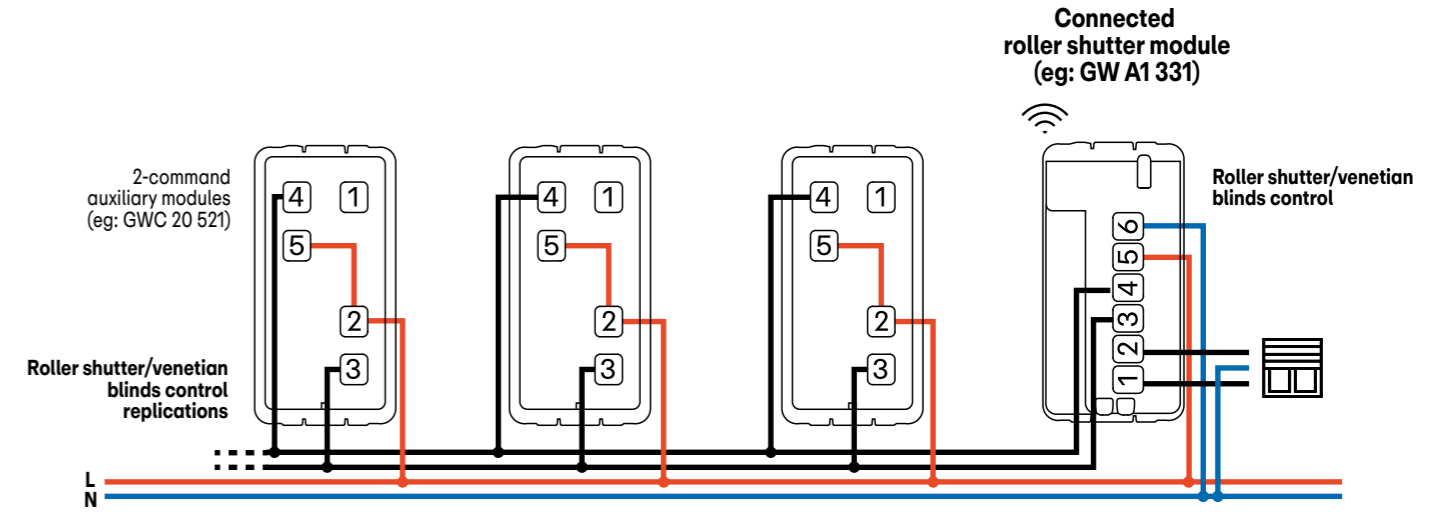


EXPLANATION

The two inputs of the connected roller shutter module can be connected to NO contacts (e.g.: auxiliary modules, traditional push-buttons and switches, sensors) and be used **in pairs**, to replicate the roller shutter control or to send generic commands or ZigBee statuses in the system (e.g.: on/off, dimmer, shutters, scenarios), or **separately**, with one of the two inputs to replicate the command for the local roller shutter and the other input to send a generic command or ZigBee status to the system. Their functionality is set up during the configuration phase.

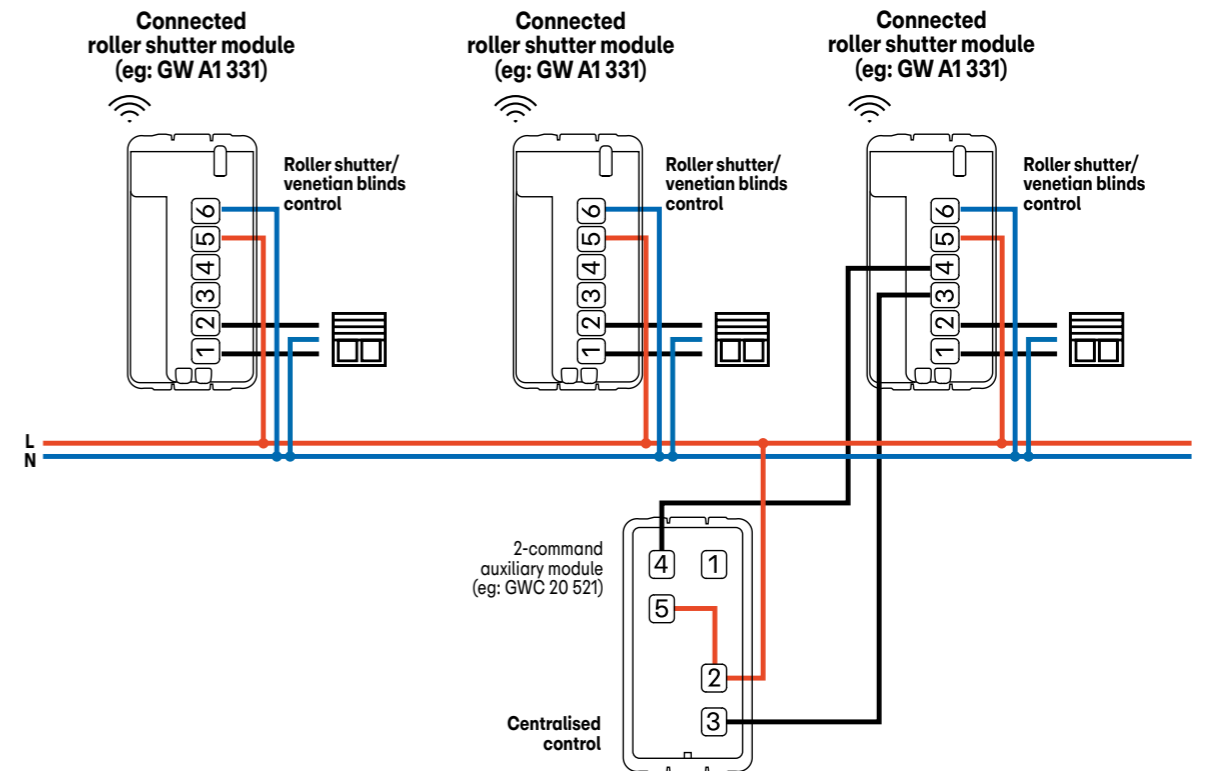
WIRING DIAGRAMS

Wiring example of multi-point control of a shutter/Venetian blind.



WIRING DIAGRAMS

Wiring example of centralising the up/down command of a group of shutters/Venetian blinds.



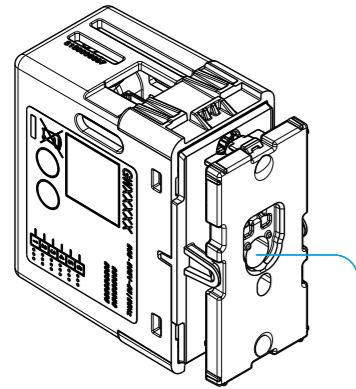
EXPLANATION

Auxiliary modules used to duplicate or centralise the shutter/blind command do not have to be wired to the connected modules that handle the blinds, but can connect to the two auxiliary inputs of any smart device within the installation.

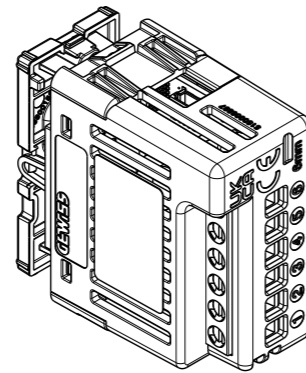
Connected 2-command rocker module

Rocker device with 2 front buttons for sending independent ZigBee commands to the system (e.g.: scenarios, dimmers, centralised control of shutters/Venetian blinds). Equipped with a ZigBee technology radio module. To be completed with interchangeable button keys, available in System Pura 1-module for flush-mounting.

GW A1 341
1 Module



TERMINAL DESCRIPTION

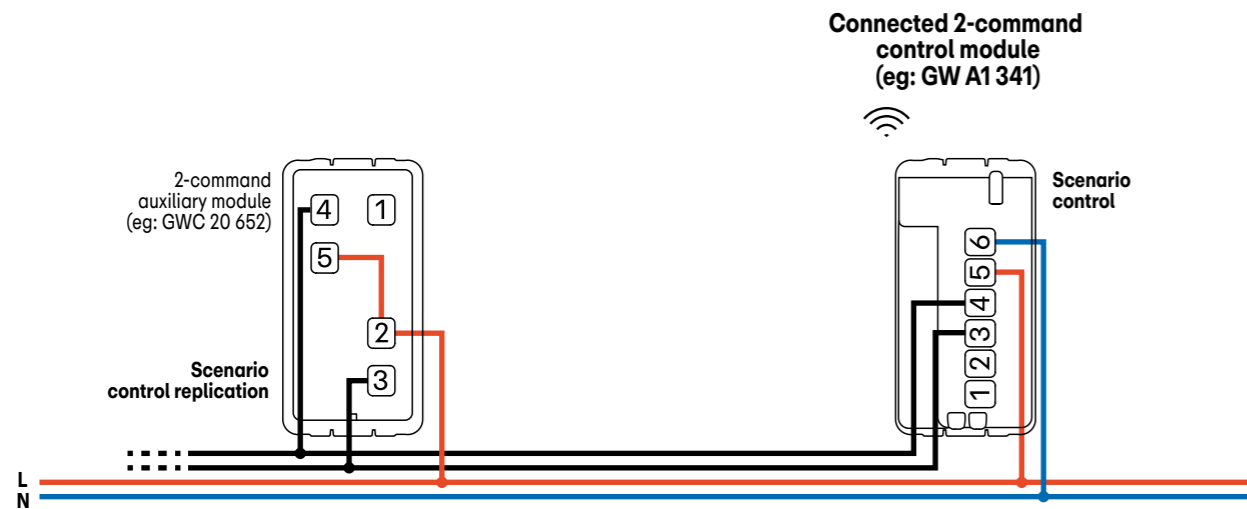


- 6 Neutral
- 5 Line
- 4 Input 1
- 3 Input 2
- 2 Not used
- 1 Not used

White LED for night-time localisation or to display the status of the local load

WIRING DIAGRAMS: SCENARIO CONTROL

Wiring example of a connected 2-command module to run two scenarios (Input and Output) from two distinct points.



In the diagram above, you can use a 2-command auxiliary module (e.g.: GWC 20 652) or alternatively, a 1-command auxiliary module (e.g.: GW A1 351), connected to either Input 1 or Input 2.

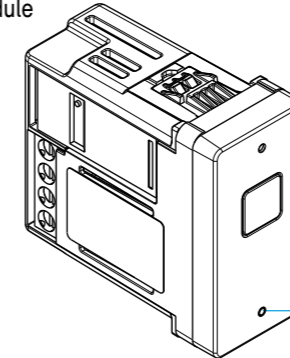
EXPLANATION

The two inputs of the connected 2-command module can be connected to NO contacts (e.g.: auxiliary modules, traditional push-buttons and switches) and used, independently of each other, **to send generic commands or ZigBee statuses in the system** (e.g.: on/off scenarios). Their functionality is set up during the configuration phase.

Connected 1-channel ON/OFF actuator

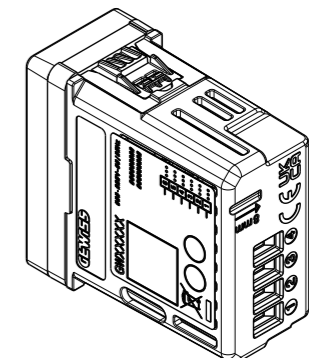
Actuator device equipped with a 16A relay output for controlling a generic load, which measures the power consumption and the energy consumed and can detach the load when a power threshold is exceeded. It has a front button for the local load control. Equipped with a ZigBee technology radio module. It is available in System Pura 1-module for flush-mounting.

GWC 2x 859
1 Module



White LED to display the status of the local load

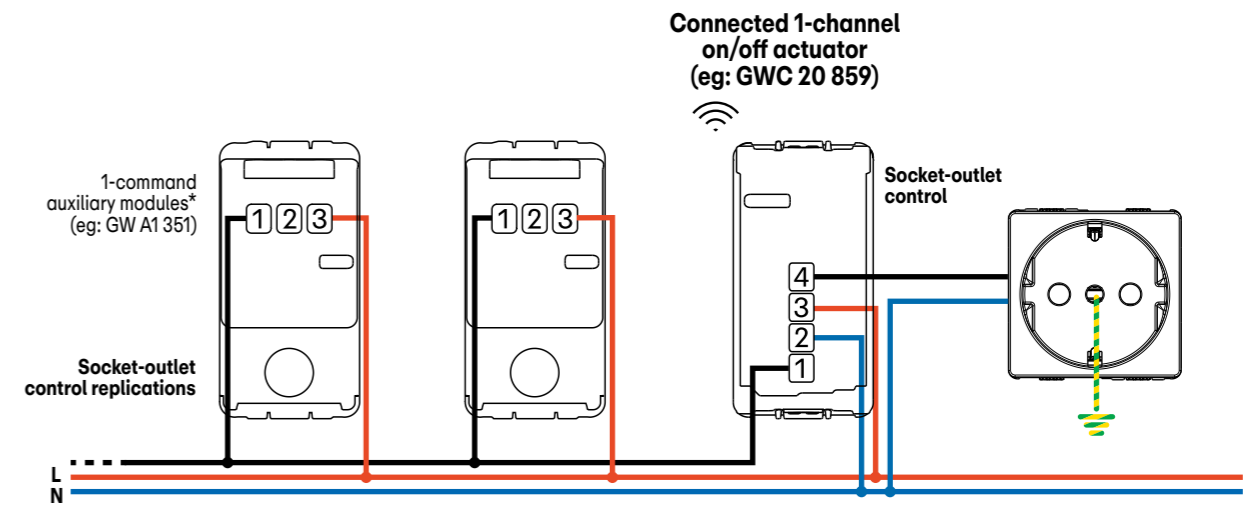
TERMINAL DESCRIPTION



- 4 NO output
- 3 Line
- 2 Neutral
- 1 Input

WIRING DIAGRAMS: CONTROLLED SOCKET

Wiring example of the connected 1-channel on/off actuator to a power socket to turn it into a controlled socket.



In the diagram above, you can also leverage the connected 1-channel on/off actuator input to connect one or more 1-command auxiliary modules in parallel (e.g.: GW A1 351) and configure them to replicate the local load command.

** The device can be enhanced with LED signalling units (sold separately) to signal the status of the controlled socket or for localisation, connecting the unit to the module through terminals 1 and 2, with the latter connected to the neutral of the system. Additionally, as an alternative to the GW A1 351 auxiliary module, the traditional GWC 20 510 push-button can be used, maintaining maximum aesthetic homogeneity.*

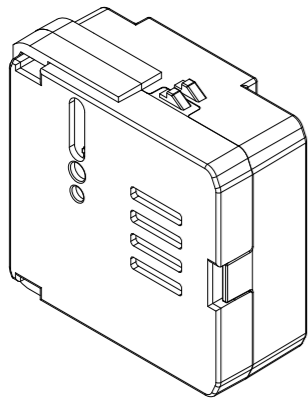
EXPLANATION

The input of the connected 1-channel on/off actuator can be connected to NO contacts (e.g.: auxiliary modules, traditional push-buttons and switches) and used, **independently of each other**, to replicate the command of the local load or, alternatively, **to send a generic command** (e.g.: on/off, dimmer, shutters, scenarios) or ZigBee statuses in the system. Its functionality is set up during the configuration phases.

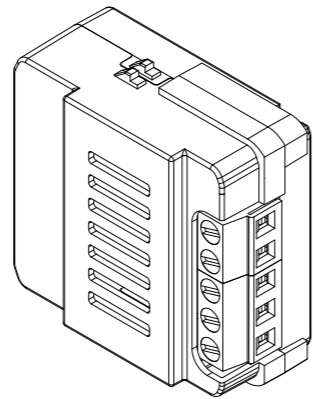
Connected energy meter

A device that measures the power consumption and the energy consumed by connecting it to a single-phase line or to the single line of a three-phase system up to a maximum current of 70A, using the supplied ammeter transformer. Thanks to an algorithm that controls loads, it can even handle up to 10 loads - using detachment and reattachment logic when a defined power threshold is exceeded - when combined with the following connected devices: GWC 2x 859, GW A1 301, GW A1 321, GW A1 523, GW A1 526, GW A1 521 or GW A1 522. Equipped with a ZigBee technology radio module. Available in recessed version, which can be housed both in the apartment distribution board using the DIN rail support (GW 26 409), as well as in junction boxes or in conjunction with System Pura 1-module blanking modules (e.g.: GWC 2x 059) for flush-mounting.

GW A1 918
1 Module



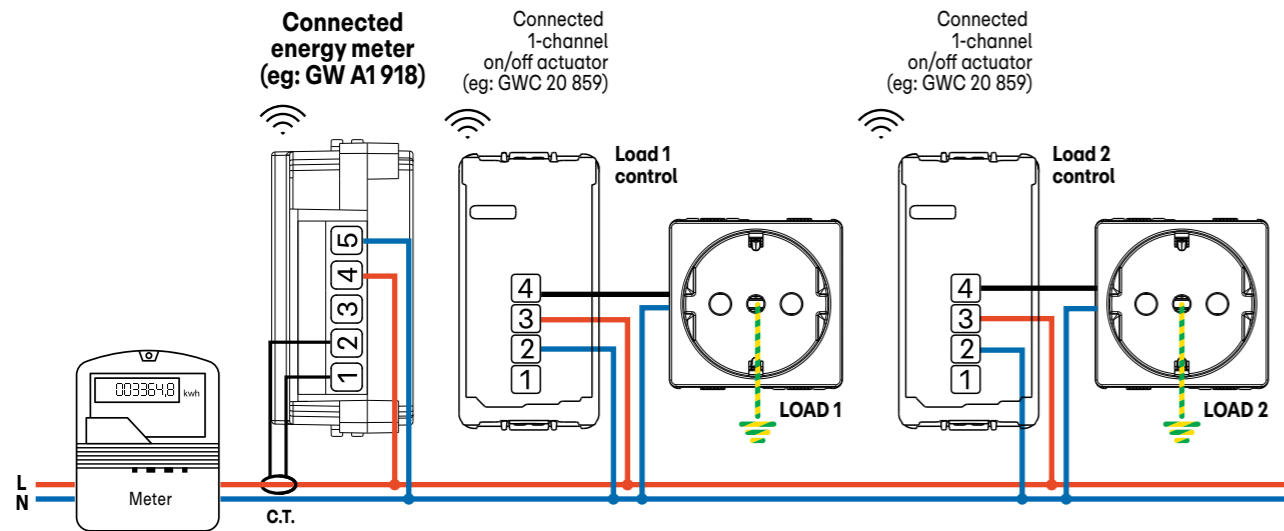
TERMINAL DESCRIPTION



- 5 Neutral
- 4 Line
- 3 Not used
- 2 Input +
- 1 Input -

WIRING DIAGRAMS: LOAD MANAGEMENT

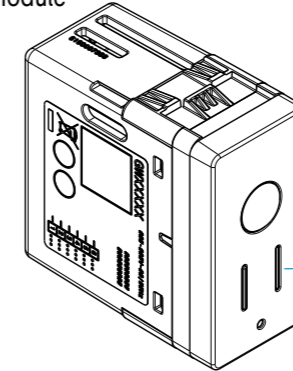
Wiring example of the connected energy meter to detect the power consumption of a single-phase line and intervene on connected actuators present in the system to manage loads.



Connected motion sensor

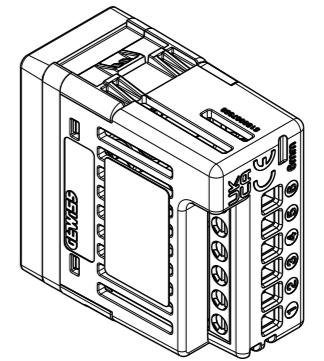
Device for detecting the passage/movement of people within a radius of up to 8 metres, which can be activated depending on the ambient brightness threshold. Equipped with a 2A relay output (AC1) for controlling a generic load. Equipped with a ZigBee technology radio module. It is available in System Pura 1-module for flush-mounting.

GWC 2x 858
1 Module



White LED to signal detected movement

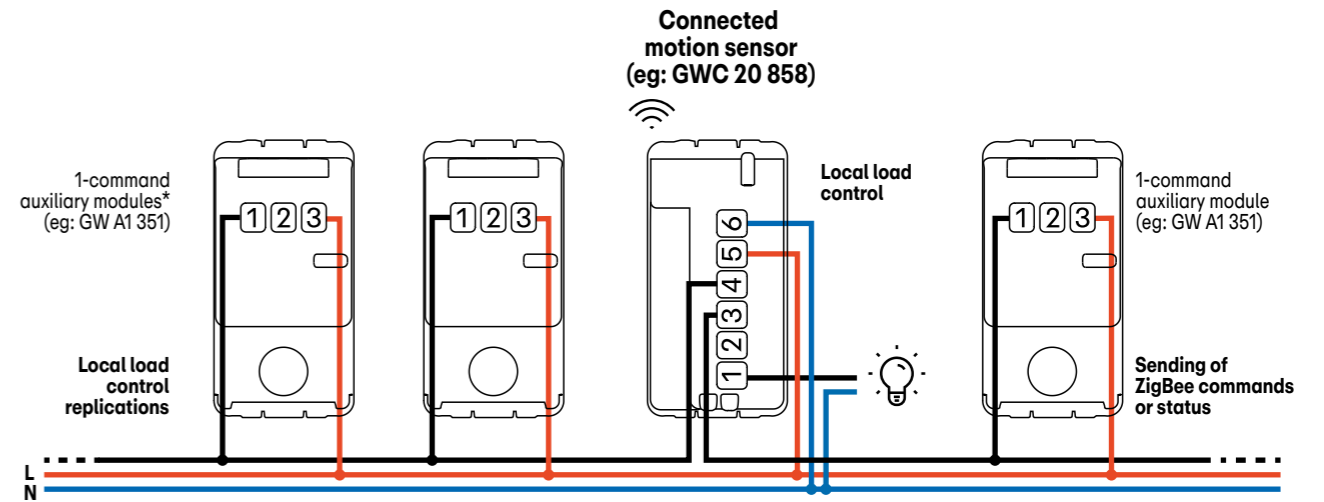
TERMINAL DESCRIPTION



- 6 Neutral
- 5 Line
- 4 Input 1
- 3 Input 2
- 2 Not used
- 1 Output

WIRING DIAGRAMS

Wiring example of the connected motion sensor to control a lighting load, with the addition of auxiliary modules for the control of the load from 2 points.



In the diagram above, you can also leverage Input 2 of the connected motion sensor to connect one or more parallel 1-command auxiliary modules (e.g.: GW A1 351) and configure them to send a generic command or ZigBee status to the system (e.g.: on/off, scenario).

* The device can be enhanced with a LED signalling unit (sold separately) to indicate the status of the local load or for location purposes, powering the unit separately with phase (using terminal 2 of the module) and neutral. Additionally, as an alternative to the GW A1 351 auxiliary module, the traditional GWC 20 510 push-button can be used, maintaining maximum aesthetic homogeneity.

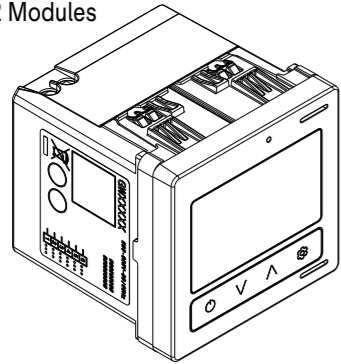
EXPLANATION

The two inputs of the connected motion sensor can be connected to NO contacts (e.g.: auxiliary modules, traditional push-buttons and switches, sensors) and used, independently of each other, to replicate the local load command or to send generic commands or ZigBee states to the system (e.g.: on/off, scenarios). Their functionalities are set up during the configuration phase.

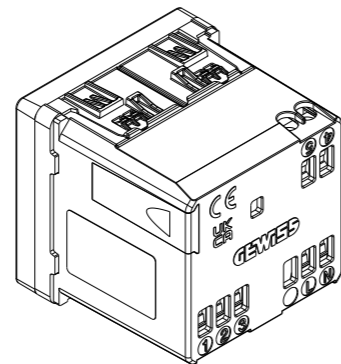
Connected thermostat

Room thermostat with white LED backlit display and 5A relay output (AC1) to control heating/cooling systems and manual temperature regulation. Two-point (on/off) and proportional-integral (PWM) control algorithms. Remotely access to the thermostat functions and creation/management of daily/weekly profiles via the app. The thermostat is equipped with integrated temperature and humidity sensors and ZigBee technology radio module. It is available in System Pura 2-module for flush-mounting.

GWC 2x 857
2 Modules



TERMINAL DESCRIPTION

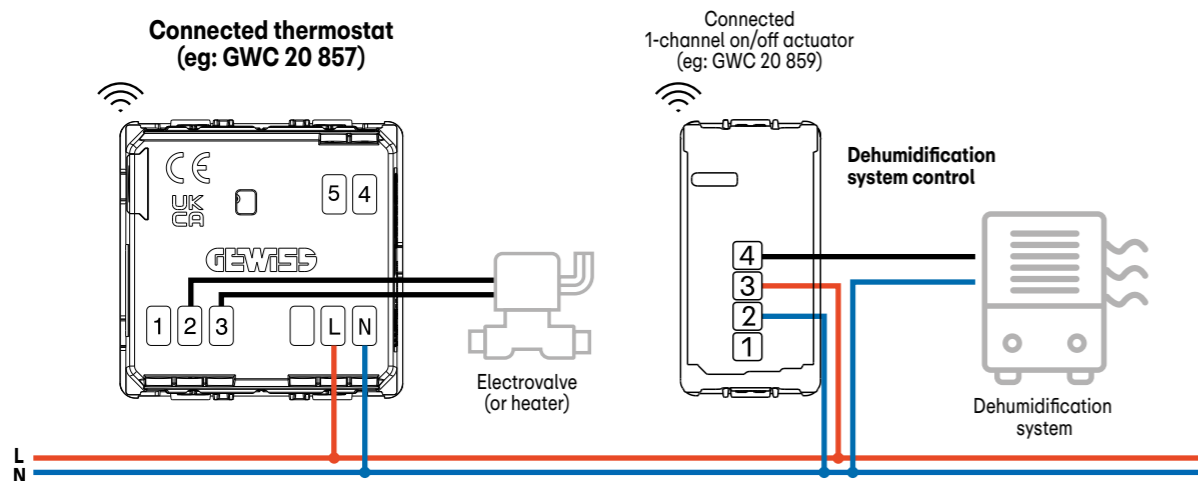


- L Line
- N Neutral

- 5 NTC
- 4 GND of NTC
- 3 Common
- 2 NO
- 1 NC

WIRING DIAGRAMS

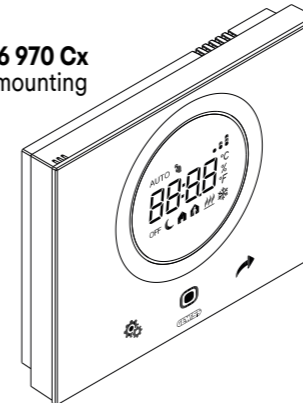
Wiring example of the connected thermostat to control the zone solenoid valve via the relay output and a dehumidification system via a connected 1-channel on/off actuator.



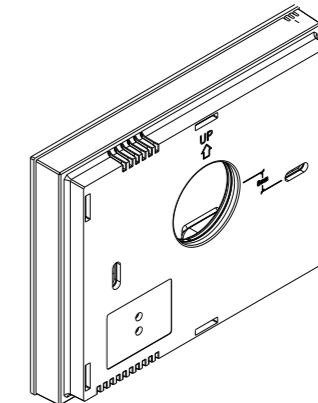
Thermo ICE Wi-Fi

Wall-mounted room thermostat with a touch user interface on technopolymer plate and backlit display. It features two 6A (AC1) relay outputs with potential-free NO contacts to control heating/cooling and humidification/dehumidification systems, with temperature management either manually or across three levels. Two-point (on/off) and proportional-integral (PWM) control algorithms. It has an external temperature NTC sensor input. The thermostat is equipped with built-in proximity, temperature and humidity sensors and Wi-Fi interface for parameter setting and programming of temperature profiles (chrono-thermostat function) both locally and remotely via the app.

GW 16 970 Cx
Wall mounting



TERMINAL DESCRIPTION

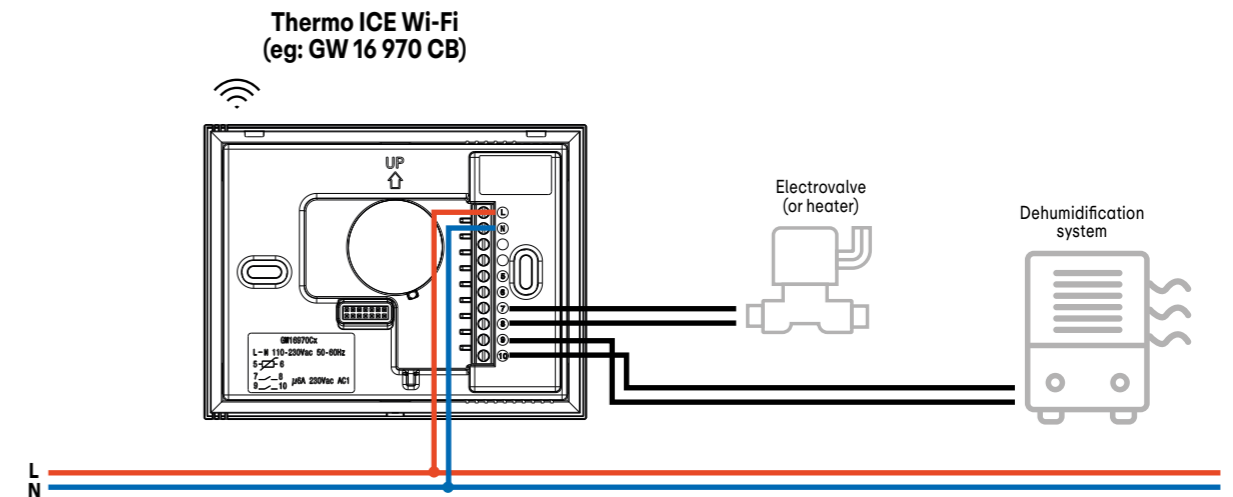


- L Line
- N Neutral

- 5 NTC
- 6 REF
- 7 } Output relay 1
- 8 }
- 9 } Output relay 2
- 10 }

WIRING DIAGRAMS

Wiring example of connecting the Thermo ICE Wi-Fi to control, via its two relay outputs, a zone solenoid valve and a dehumidification system.



COMPARATIVE TABLE BETWEEN CONNECTED THERMOSTAT AND THERMO ICE Wi-Fi

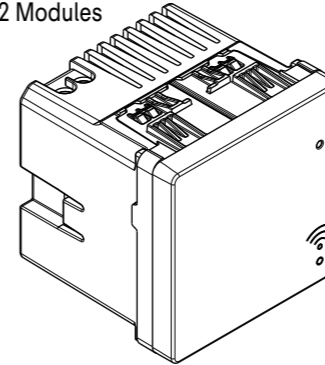
The table summarises the functionality of the connected thermostat (GWC 2x 857) compared to Thermo ICE Wi-Fi (GW 16 970 Cx). The latter can be used in two different ways: integrated into the Smart Home GEWISS ecosystem and then managed with the Home Gateway app together with the other connected devices, or used stand-alone in a classic traditional system and managed via the ThermoICE 2.0 app.

FUNCTIONS	Connected Thermostat GWC 2x 857	Thermo ICE Wi-Fi GW 16 970 Cx stand-alone with ThermoICE 2.0 app	Thermo ICE Wi-Fi GW 16 970 Cx integrated with Home Gateway app
Command for heating/cooling control (e.g.: solenoid valves, boiler):			
via ZigBee radio	✓	-	-
with on-board relay	✓	✓	✓
Temperature/humidity graphs	-	✓	-
NTC outdoor temperature probe sensor:			
for local temperature measurement compensation	✓	✓	✓
for detecting high temperature (floor heating protection)	✓	✓	✓
for detecting wet floor (risk of cooling condensation)	✓	-	-
Door/window sensor management (temperature reduced when window is open)	✓	-	-
Temperature profiles (chronothermostat function - weekly schedule):			
managed in cloud only	✓	-	-
also managed on the device	-	✓	✓
Activation in case of humidity alarm (e.g.: dehumidification system activation)	✓ (with remote relay)	✓ (with local relay)	✓ (with local relay)
Temperature/humidity push notifications	✓	-	-
Boost function	✓	-	-
2-pipe system management	-	✓	✓
4-pipe system management	✓	✓	✓
Slave mode (for hospitality facilities) via app	-	✓	-
Mode change (Economy-Precomfort-Comfort):			
via the app	-	✓	✓
locally	-	✓	✓
Temperature and humidity display via app and local display	✓	✓	✓
Change mode of operation (Auto/Man/Off) from app and from local (display/buttons)	✓	✓	✓
Automatic season change (cloud-managed)	-	✓	-
Change of operating mode (Auto/Man/Off) from scenario	✓	-	-
Use temperature and humidity measurements as "trigger" conditions for routines	✓	-	-
Integration with IoT platforms:			
Amazon Alexa and Google: platform integration and voice commands	✓	-	✓
IFTTT	✓	-	✓

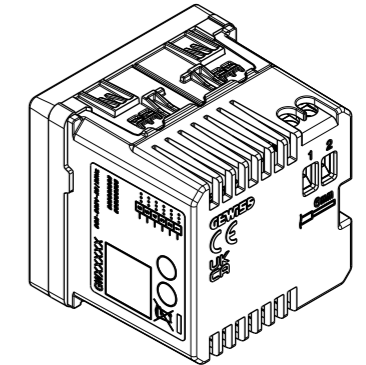
Home Gateway

Multi-protocol gateway for managing connected devices in the system via the cloud and the Home Gateway app. The app also enables programming and configuration of the system. The Home Gateway communicates with connected devices via ZigBee wireless protocol. Bluetooth (BLE) connection is limited just to the device configuration phase via smartphone. It is available in System Pura 2-module for flush-mounting.

GWC 2x 856
2 Modules



TERMINAL DESCRIPTION



1 Neutral
2 Line



Home Gateway

One device, so many features!

Connected devices are smart modules with innovative features: in addition to their original function they are able to add new functions and control points of the system, making the home smarter without excessive expenditure. Moreover, with app-editable commands, the system is flexible and ready to meet the needs of today and tomorrow.

Example of the multifunction capabilities of the connected module GW A1 341: **10 control options available on 1 module**

Each connected module can perform many more functions than any other. You can choose between:

1 and 2

Control 2 associated loads (e.g.: lights, lamps, generic low-voltage loads)

3 and 4

Increase or decrease the intensity of a light source

5 and 6

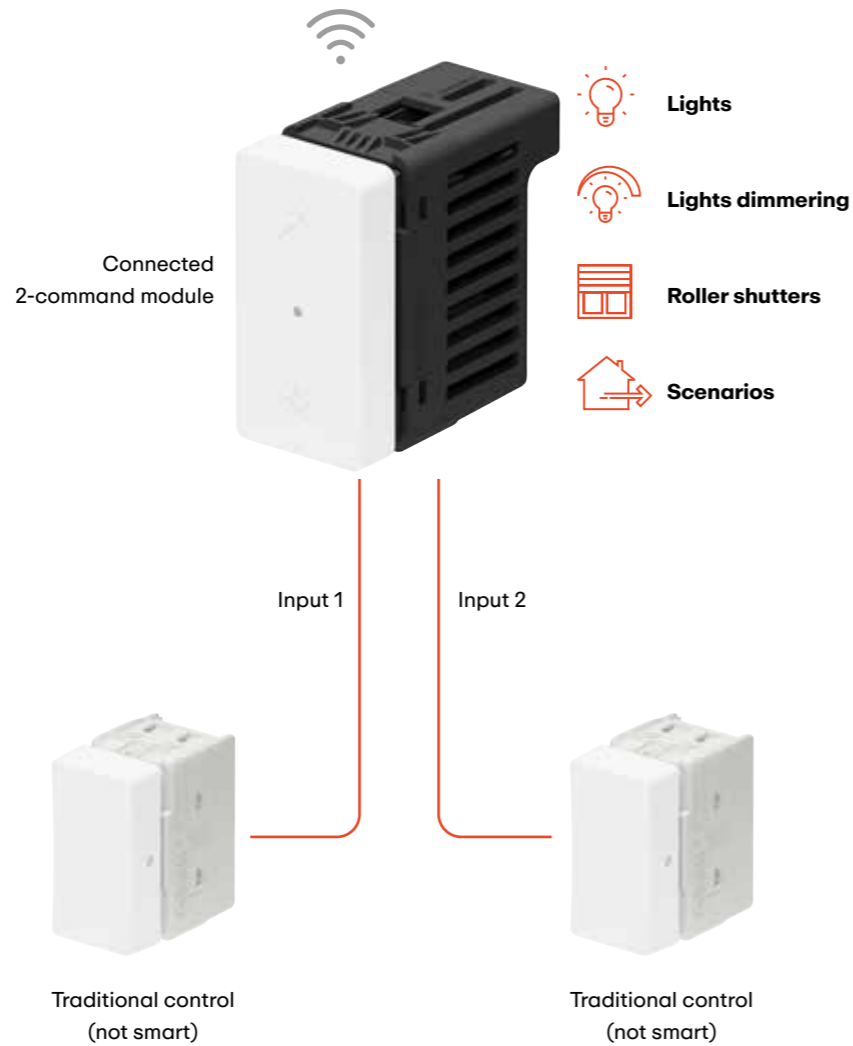
Command the opening and closing of roller shutters

7 and 8

Activate 2 different scenarios (e.g.: entering and leaving home)

9 and 10

Add 2 traditional buttons on auxiliary inputs to replicate/send commands to any device in the system



GEWISS Smart Home buttons and connected controls (e.g.: GWA1351, GWC20521L, GWC20652) can be also used to centralise light switch-off and shutter/blind activation.

Home Gateway app

The Home Gateway app is at the heart of the GEWISS' Smart Home experience, a single place where setting up, customise and create advanced home scenarios. What's more, the app includes unique features that bring real value to installers and end users:



ACCESS TO MORE LEVELS

The app can manage three different levels of access, with different degrees of authorisation to ensure maximum functionality and privacy for all stakeholders: installer, administrator (homeowner) and user (for family members or occasional guests).



TIME ACCESS

By using the app and the "user" access level, it is also possible to grant temporary access to your system - or part of it - allowing you to manage occasional guests or B&B/ short-term rental services efficiently.



A SINGLE APP FOR END USERS AND INSTALLER

We chose the simplest way: a single app for installers and end users. What the installer sets up is exactly what the homeowners see. A clear signal of how close GEWISS wants to be to both parties.



A SINGLE APP FOR EVERY DEVICE

We know how difficult it is to manage and remember all the apps on your smartphone. For this reason, the Home Gateway app was designed to be the only platform for setting up and managing all GEWISS Smart Home devices (e.g.: System Pura, ChoruSmart, etc.).



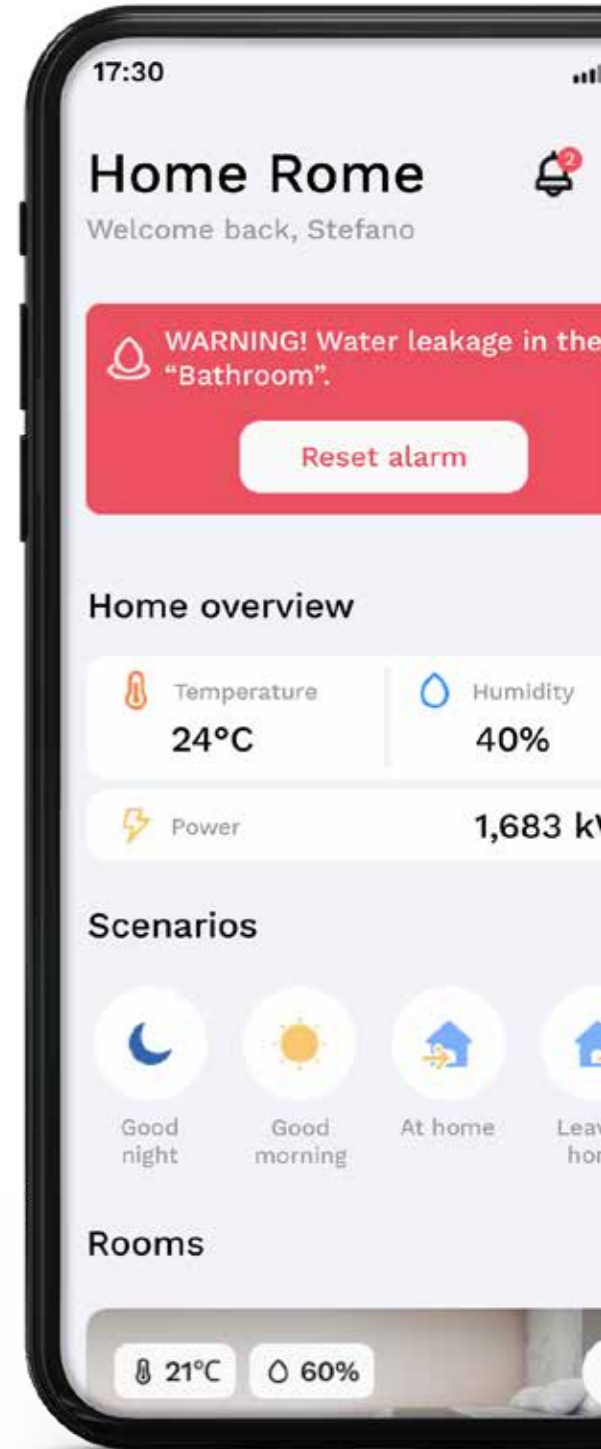
DEMO APARTMENT

We also know how nice it is to start trying things out. So, once you download the Home Gateway app, you can start trying out a demo system right away, no registration needed, allowing you to discover its intuitive design quickly and easily.

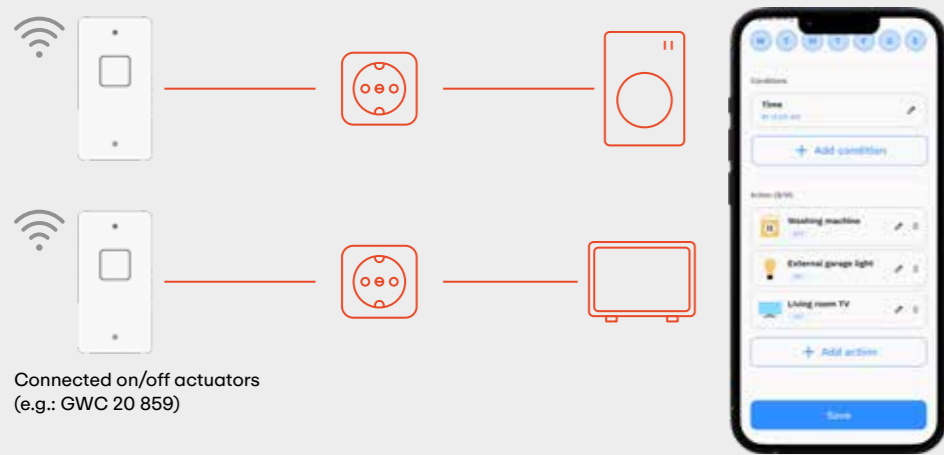


ONE-CLICK DIAGNOSTICS AND SUPPORT

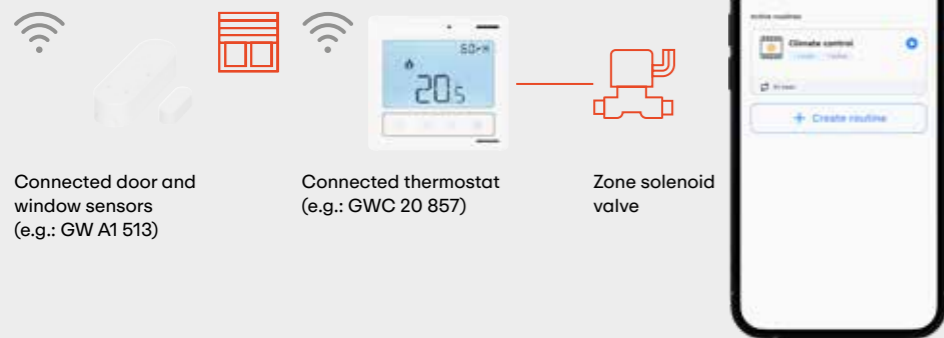
A tool that supports you in your daily life. In case of issues, the app can autonomously and in real time test the connection between your devices and your home router, highlighting critical points and allowing you to contact support if you need more help.



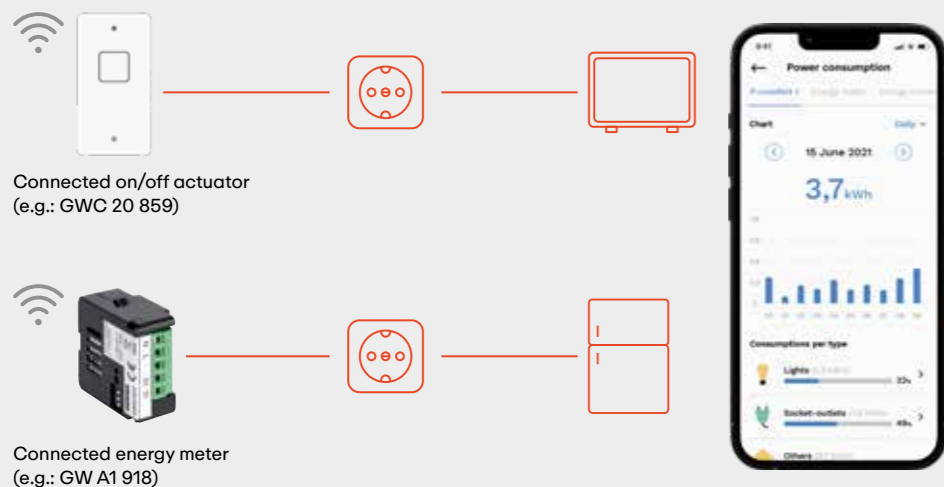
Energy Management



+ CONSUMPTION OPTIMISATION
 Example of using actuators together with smart power outlets to automatically switch off all devices on the home network during night-time or when no one is home, cutting off standby energy consumption without affecting daily life.

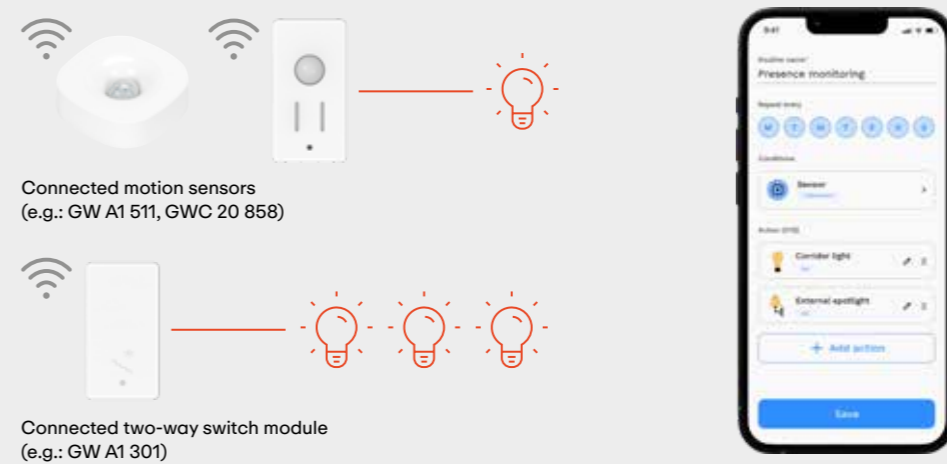


+ CLIMATE OPTIMISATION
 Example of using door and window sensors in combination with the smart thermostat to automatically switch off the heating system when door and window locks are opened.

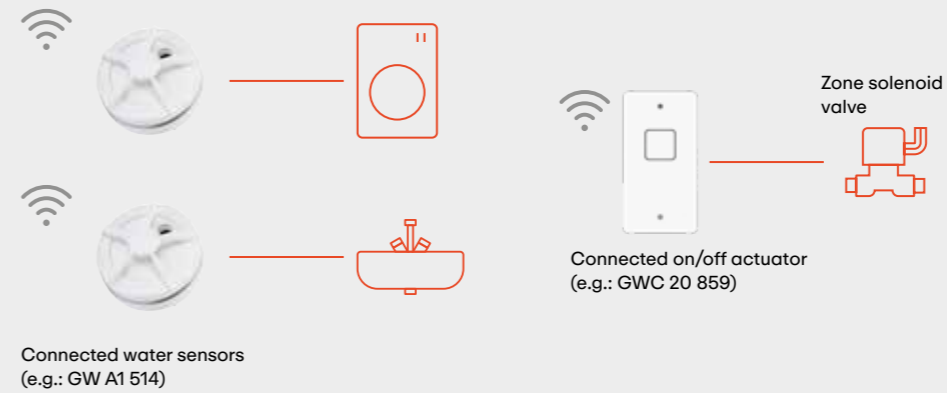


+ CONSUMPTION MONITORING
 Example of using smart devices to monitor energy consumption at home, increasing customers' expense awareness via detailed dashboards showing the amount of energy consumed, identifying the most energy-intensive devices and showing usage time periods.

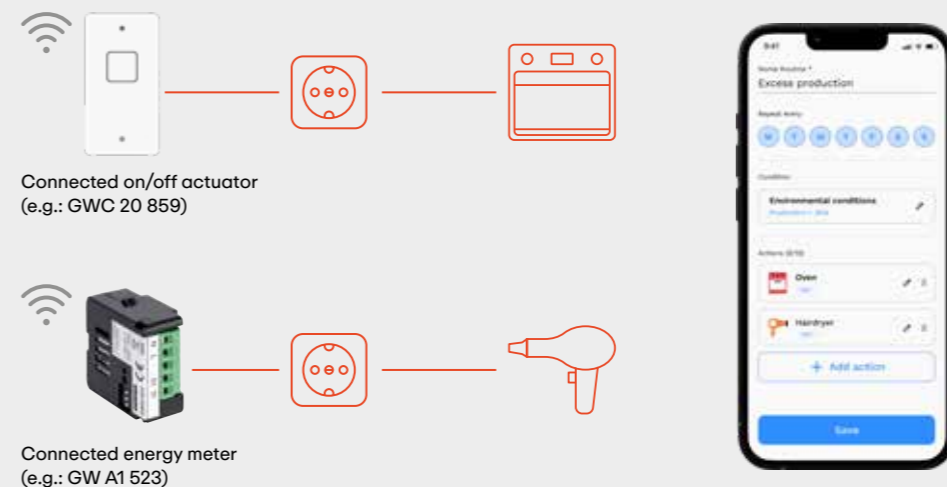
Safety and security



+ PRESENCE MONITORING and SIMULATION
 Example of using motion sensors in association with home lighting points, activating them in case of unwanted persons entrance or to simulate the fictitious presence of owners when absent, to discourage any intrusions.

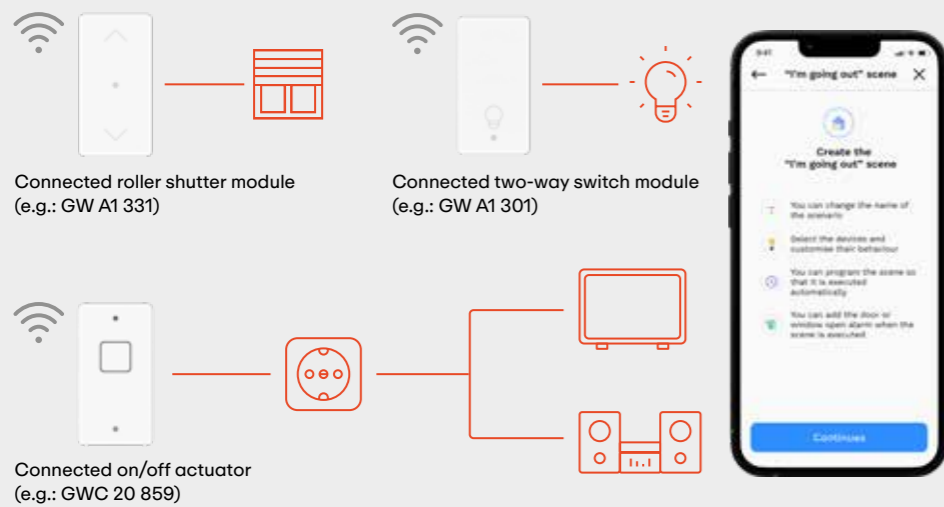
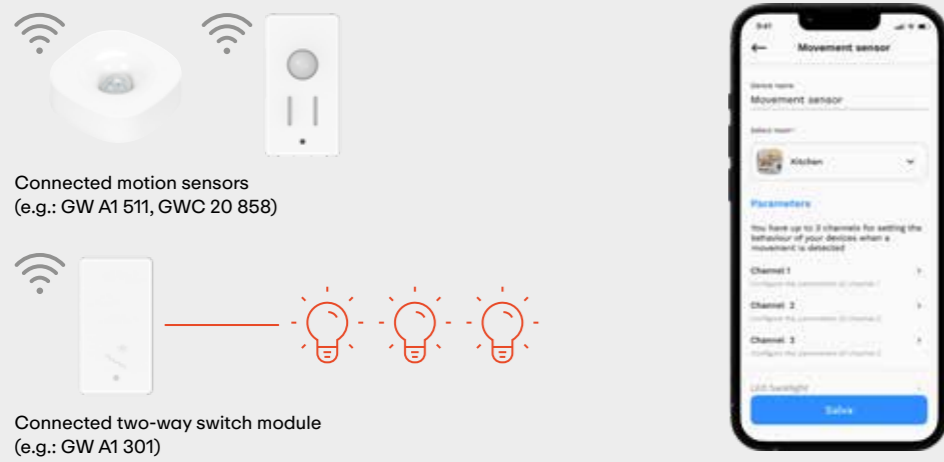
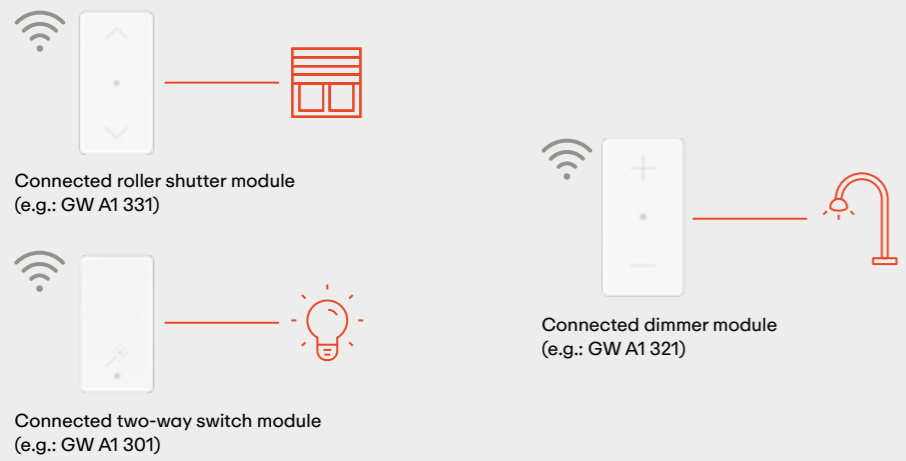


+ WATER LEAK BLOCK
 Example of using water sensors in combination with an actuator to block the water supply when a leak is detected at different points in the home.



+ ANTI - BLACKOUT
 Example of home energy consumption monitoring with automatic energy interruption in case of excessive power absorption, thus preventing blackouts and the need for manual intervention on the electrical panel to restore power.

Comfort



CINEMA SCENARIO
 Example of a scenario that can be activated from a dedicated command (or from an app or voice assistant) for pre-set lighting to create an optimal ambience for viewing a movie.

AUTOMATED LIGHTING
 Example of using motion sensors to turn lights on and off automatically at transit points such as driveways, entrances or corridors.

LEAVING HOME SCENARIO
 An example of how the smart home system automates shutter closing, light and device shutdown, and alarm activation with a single command when leaving home.

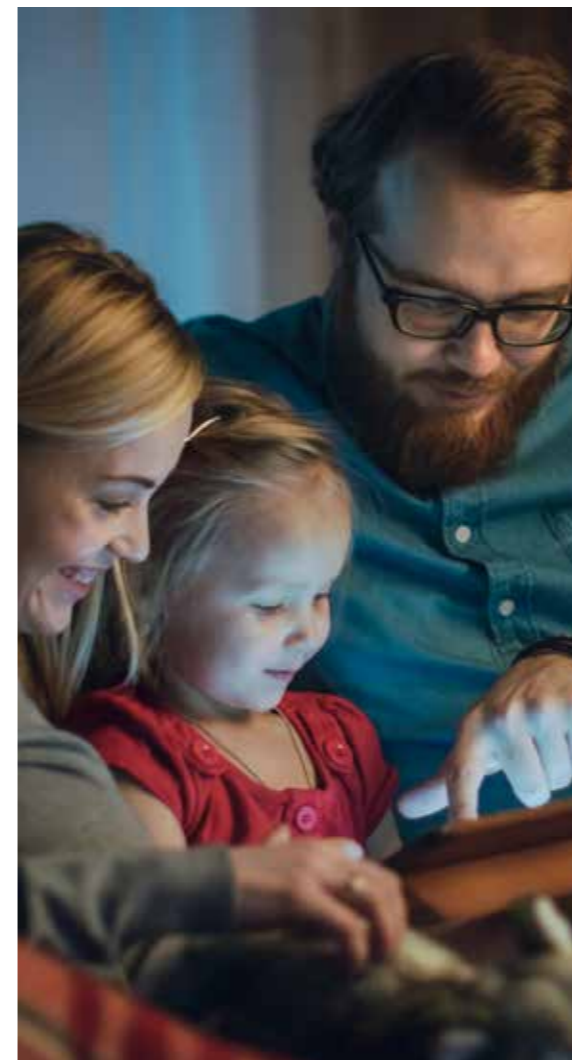
Advantages of GEWISS Smart Home

With its Smart Home devices and the Home Gateway app, GEWISS offers the solution to control the entire home with just few simple gestures.



Advantages for installing technicians

- + **Easy and intuitive system setup** with the Home Gateway app.
- + **Scalable system** through the auxiliary inputs of connected devices: multiple control points at a reduced cost.
- + **Safe and stable ecosystem** thanks to ZigBee radio technology, which ensures ample coverage in every corner of the home.
- + **Ecosystem that is expandable** to KNX and ModBus devices through integration with the ThinkKnx platform.



Advantages for customers

- + **A single app** to manage every device in the Smart Home range: lights, shutters, thermostats, sensors and wireless push buttons.
- + **Multi-layered app access** to ensure maximum security based on user type and enabling timed access for temporary guests.
- + **Increased comfort** with remote, automated control of climate, lighting and shutters.
- + **Energy monitoring and saving** through consumption data and historical trends available directly in the app, with the option to connect photovoltaic systems to view the power exchanged with the grid.
- + **Increased security** with a full range of sensors and automations to prevent any damage to the home, even in your absence.
- + Upgradeable system with **multi-function controls** that can be functionally modified to match user needs.
- + **Flexible system** thanks to completely wireless devices such as the ECO push-button panel, ideal for avoiding masonry work when carrying out renovations.

⑨ Home&Building Pro ThinKnx

Building control platform



+ **ThinKnx is a universal, multi-purpose supervision system** for building automation, capable of managing all smart systems within a building in an integrated manner through a simple and intuitive multi-platform interface, delivering a unique user experience on PCs, smartphones, tablets, and via voice commands.

+ The ThinKnx range consists of three Linux-based product lines:

- **ProLine** is intended for systems that are particularly advanced in terms of integration and graphics, with servers designed to handle even the most complex automations, available in DIN rail and Touch versions of 7" and 10".
- **TrendLine** is aimed at simpler, more accessible installations and can be used as a stand-alone server to control homes or individual environments (room controllers), or as a client in conjunction with other ThinKnx servers, available in 4" and 5.5" Touch versions.
- **Audiofy** is a KNX-native professional multi-room audio system that is fully integrated into your automation system, dedicated to audio distribution for entertainment in various home, office or retail environments.

An open system with advanced features

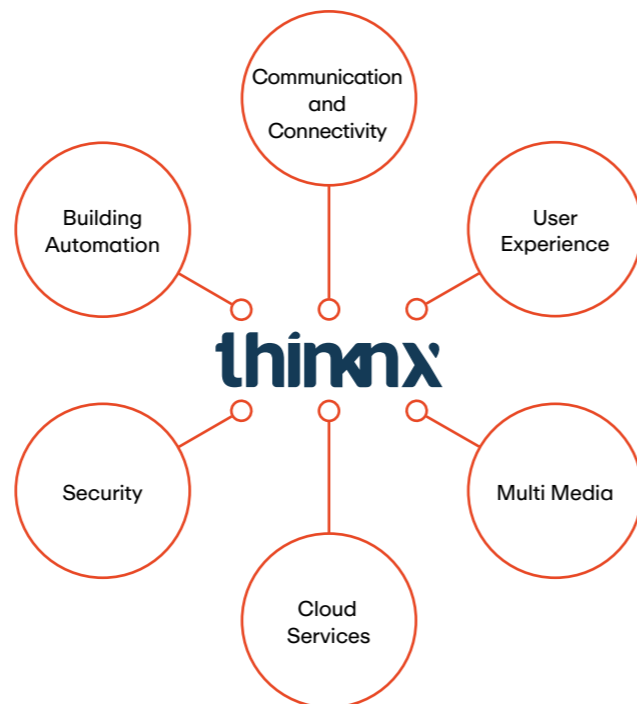
An advanced system that enables the management and control of any application, while remaining open and flexible for seamless integration with other systems, thanks to:

+ Numerous **supported communication protocols: KNX, MQTT, Modbus, BACnet, OCPP** (for electric vehicle charging stations).

- + Native integration of specific third-party systems*, including:
- **Video entryphone:** 2N, Akuvox, Comelit, Fermax, DoorBird, Mobotix.
 - **Intrusion detection:** Bentel, Elkron, EL.MO, IESS, Honeywell, Inim, Paradox, Tecnoalarm, Urmet.
 - **HVAC systems:** Daikin, Mitsubishi, Airzone, RDZ, CoolMaster.
 - **Solar power generation systems:** SMA, Solar Edge, Fronius and any other system with which you can communicate via Modbus.
 - **Sound distribution systems** for entertainment: Audiofy, Sonos, Denon, Onkyo, Tutondo.
 - **DALI lighting systems:** via KNX/DALI gateway.
 - **Electric vehicle charging stations:** all those that support the standard OCPP protocol, including GEWISS charging stations.
 - Other systems: VELUX skylights, Philips HUE, Shelly, Lutron.

*The manufacturers of integrable third-party systems may make changes without prior notice that could affect their integration.

+ **Integration with Cloud Platforms:** Amazon Alexa, Apple Home KIT, and IFTTT.



GEWISS Smart Home Integration



+ Smart Home devices and features (ZigBee standards-based wireless solution), including new System Pura connected devices, can be integrated into the ThinKnx system by importing the Smart Home plant already configured by the Home Gateway app, or by configuring the devices directly into the ThinKnx configurator.

+ All integrations manageable by ThinKnx can now also be integrated into Smart Home systems, expanding their scenarios, particularly video entryphones, cooling systems (HVAC split systems), photovoltaic power generation, IP camera viewing and intrusion detection.

+ A ThinKnx server can manage multiple Smart Home wireless installations (multiple Home Gateways) as a single system, allowing you to expand wireless coverage and the number of devices per installation.

+ All Smart Home functions can be supervised and controlled by the user through ThinKnx touch panels installed inside the home, smartphones, tablets, PCs and voice assistants (Alexa and Siri).

+ Configuration of all system components, i.e. ZigBee devices in the field, integration of third-party systems and supervisory pages can be done through the sole "ThinKnx UP" platform available for PC (Windows).

Advantages

The system can handle countless applications by providing fully integrated solutions, thanks to its complete functionality, communication with multiple protocols and **native integration of all GEWISS and third-party systems**, offering **fully integrated solutions**.

+ **System scalability and flexibility:** modular, wireless and wired features and integrations that enable you to build large installations and meet the demands of your most demanding customers.

+ **Completeness of manageable solutions:** by type (light and shutter control, energy management, climate, etc.) and for each application area (residential, offices, stores, etc.).

+ **Fully integrated solutions:** thanks to the numerous supported protocols and integrated third-party systems, it is possible to manage systems and installations from different manufacturers and of different types as a single interoperable system.

+ **Reliability and security:** the ThinKnx platform and ZigBee devices are reliable and secure to ensure proper operation over time throughout the system.

+ **Design and aesthetics:** wiring devices range, ThinKnx touch screens and applications available on smartphones and tablets are integrated with each other and are characterised by a clean, modern and homogeneous design.

+ **After-sales support and care:** backed by fast and effective GEWISS support to meet the needs of all operators.

10 Selection guide

+ Plates and supports

+ Traditional devices

+ Smart Home

Plates and supports

Plates

Technopolymer

WHITE



- GWC 25 101 TBN 1 module
- GWC 25 102 TBN 2 modules
- GWC 25 103 TBN 3 modules
- GWC 25 104 TBN 4 modules
- GWC 25 106 TBN 6 modules
- GWC 25 108 TBN 4+4 modules
- GWC 25 112 TBN 6+6 modules

SATIN WHITE



- GWC 25 101 TBP 1 module
- GWC 25 102 TBP 2 modules
- GWC 25 103 TBP 3 modules
- GWC 25 104 TBP 4 modules
- GWC 25 106 TBP 6 modules

SATIN BLACK



- GWC 25 101 TGR 1 module
- GWC 25 102 TGR 2 modules
- GWC 25 103 TGR 3 modules
- GWC 25 104 TGR 4 modules
- GWC 25 106 TGR 6 modules

ALMOND



- GWC 25 101 TAL 1 module
- GWC 25 102 TAL 2 modules
- GWC 25 103 TAL 3 modules
- GWC 25 104 TAL 4 modules
- GWC 25 106 TAL 6 modules

MATCHA



- GWC 25 101 TMT 1 module
- GWC 25 102 TMT 2 modules
- GWC 25 103 TMT 3 modules
- GWC 25 104 TMT 4 modules
- GWC 25 106 TMT 6 modules

LIGHT DOVE



- GWC 25 101 TTO 1 module
- GWC 25 102 TTO 2 modules
- GWC 25 103 TTO 3 modules
- GWC 25 104 TTO 4 modules
- GWC 25 106 TTO 6 modules

Painted technopolymer

CHAMPAGNE



- GWC 25 101 VCH 1 module
- GWC 25 102 VCH 2 modules
- GWC 25 103 VCH 3 modules
- GWC 25 104 VCH 4 modules
- GWC 25 106 VCH 6 modules

SILVER



- GWC 25 101 VSI 1 module
- GWC 25 102 VSI 2 modules
- GWC 25 103 VSI 3 modules
- GWC 25 104 VSI 4 modules
- GWC 25 106 VSI 6 modules

MATERIC SMOKE GRAY



- GWC 25 101 VFU 1 module
- GWC 25 102 VFU 2 modules
- GWC 25 103 VFU 3 modules
- GWC 25 104 VFU 4 modules
- GWC 25 106 VFU 6 modules

Watertight plates

IP55



GWC 25 451 - 3 modules
White



GWC 25 461 - 4 modules
White

Supports

For square/
rectangular boxes



GWC 25 802 - 2 modules
With screws

For rectangular
boxes



GWC 25 803 - 3 modules
With screws



GWC 25 804 - 4 modules
With screws



GWC 25 806 - 6 modules
With screws

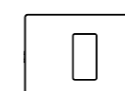


GWC 25 808 - 4+4 modules
With screws

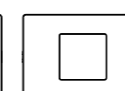


GWC 25 812 - 6+6 modules
With screws

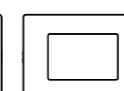
Modularity



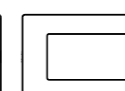
1 module



2 modules



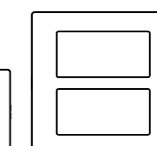
3 modules



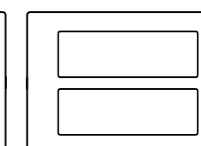
4 modules



6 modules



4+4 modules (*)



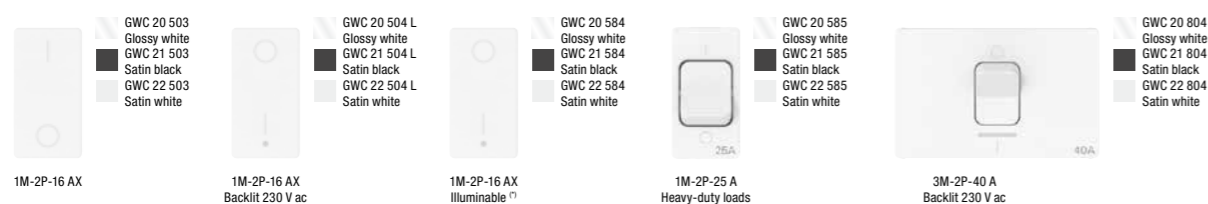
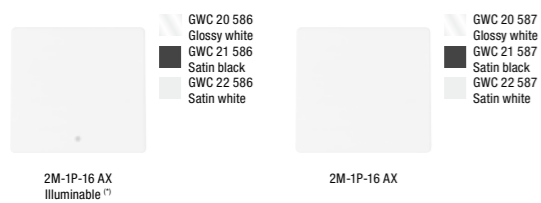
6+6 modules (*)

(*) White

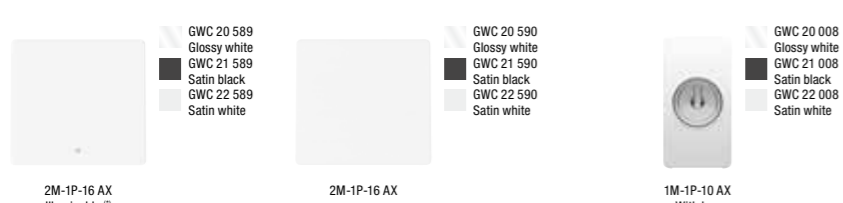
Traditional devices

Command devices

One-way switches



Two-way switches



Intermediate switches

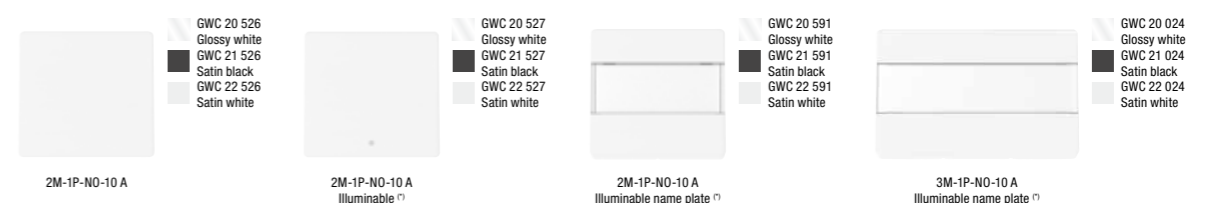
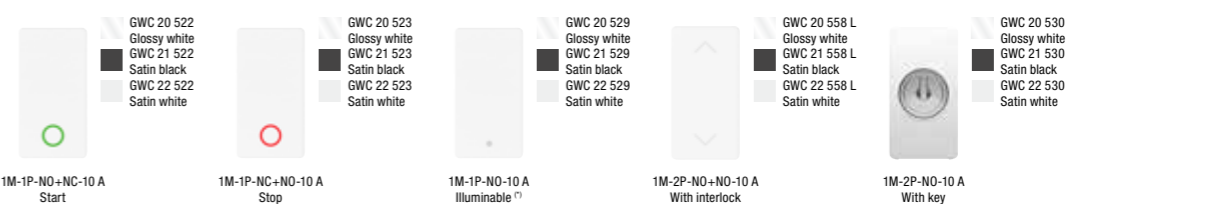
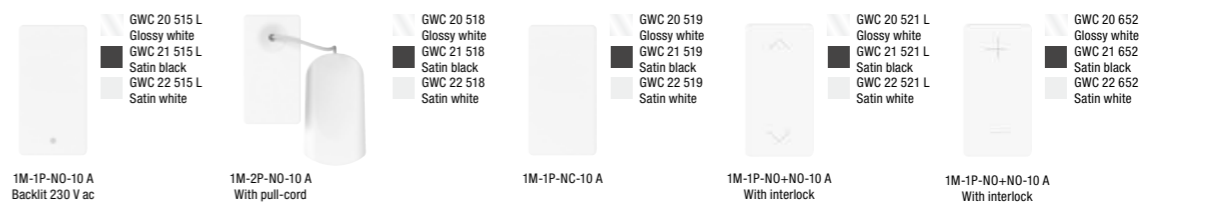


Three-way switches



Command devices

Push-buttons



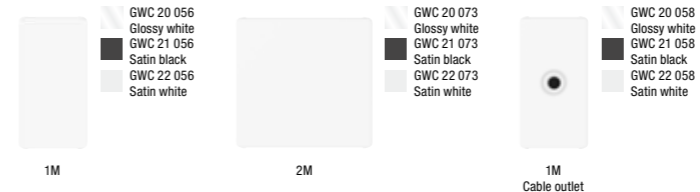
Motion/presence



Relays



Blanking modules and cable outlet



☐ supplied without LED signalling unit

☐ supplied without LED signalling unit

Power

Italian/German

GWC 20 205 Glossy white
GWC 21 205 Satin black
GWC 22 205 Satin white
2P+E-16 A-250 V ac

GWC 20 282 2P+E-16 A-250 V ac Dual amperage

GWC 20 287 2P+E-16 A-250 V ac Dual amperage

German

GWC 20 265 Glossy white
GWC 21 265 Satin black
GWC 22 265 Satin white
2P+E-16 A-250 V ac

GWC 20 268 Glossy white
GWC 21 268 Satin black
GWC 22 268 Satin white
2P+E-16 A-250 V ac With lid - IP40

GWC 20 297 2P+E-16 A-250 V ac

GWC 20 283 2P+E-16 A-250 V ac

GWC 20 288 2P+E-16 A-250 V ac

GWC 20 342 Glossy white
GWC 21 342 Satin black
GWC 22 342 Satin white
2x2P+E-16 A-250 V ac 45° alveolus

GWC 20 343 2x2P+E-16 A-250 V ac 45° alveolus

French

GWC 20 312 2P+E-16 A-250 V ac

British

GWC 20 208 Glossy white
GWC 21 208 Satin black
GWC 22 208 Satin white
2P+E-13 A-250 V ac

GWC 20 209 Glossy white
GWC 21 209 Satin black
GWC 22 209 Satin white
British/South African 2P+E-16 A-250 V ac

South African

GWC 20 269 Glossy white
GWC 21 269 Satin black
GWC 22 269 Satin white
2P+E-16 A-250 V ac

Power

Euro-American/USA

GWC 20 212 Glossy white
GWC 21 212 Satin black
GWC 22 212 Satin white
2P+E-10/16 A-250/125 V ac

GWC 20 213 Glossy white
GWC 21 213 Satin black
GWC 22 213 Satin white
2P-10/16 A-250/125 V ac

GWC 20 214 Glossy white
GWC 21 214 Satin black
GWC 22 214 Satin white
2P+E-15 A-125 V ac

Egyptian

GWC 20 273 Glossy white
GWC 21 273 Satin black
GWC 22 273 Satin white
2P-10 A-250 V ac

Multistandard

GWC 20 353 Glossy white
GWC 21 353 Satin black
GWC 22 353 Satin white
2P+E-13 A-250 V ac 15 A-127 V ac

Swiss

GWC 20 354 Glossy white
GWC 21 354 Satin black
GWC 22 354 Satin white
2P+E-10 A-250 V ac Type 13

Israeli

GWC 20 220 Glossy white
GWC 21 220 Satin black
GWC 22 220 Satin white
2P+E-16 A-250 V ac Illuminable ¹⁾

GWC 20 298 2P+E-16 A-250 V ac Illuminable ¹⁾

GWC 20 299 2P+E-16 A-250 V ac Illuminable ¹⁾

GWC 20 320 Glossy white
GWC 21 320 Satin black
GWC 22 320 Satin white
2P-10 A-250 V ac

GWC 20 344 Glossy white
GWC 21 344 Satin black
GWC 22 344 Satin white
2x2P+E-16 A-250 V ac

Special sockets

GWC 20 234 Glossy white
GWC 21 234 Satin black
GWC 22 234 Satin white
SELV 2P-6 A-24 V Polarisé

¹⁾ supplied without LED signalling unit

Data

TV (IEC male)

- GWC 20 366 Glossy white, GWC 21 366 Satin black, GWC 22 366 Satin white (0 dB With press-fit connector)
- GWC 20 367 Glossy white, GWC 21 367 Satin black, GWC 22 367 Satin white (5 dB With press-fit connector)
- GWC 20 368 Glossy white, GWC 21 368 Satin black, GWC 22 368 Satin white (0 dB With press-fit connector)

TV-SAT (F female)

- GWC 20 372 Glossy white, GWC 21 372 Satin black, GWC 22 372 Satin white

TV+SAT

- GWC 20 372 Glossy white, GWC 21 372 Satin black, GWC 22 372 Satin white

TV and TV-SAT accessories

- GW 20 277 Terminal resistance 75 ohm

Telephone sockets

- RJ11: GWC 20 251 Glossy white, GWC 21 251 Satin black, GWC 22 251 Satin white
- British 6 contacts: GWC 20 272 Glossy white, GWC 21 272 Satin black, GWC 22 272 Satin white

Data sockets

- RJ45 cat. 5e UTP: GWC 20 271 Glossy white, GWC 21 271 Satin black, GWC 22 271 Satin white
- RJ45 cat. 5e FTP: GWC 20 243 Glossy white, GWC 21 243 Satin black, GWC 22 243 Satin white
- RJ45 cat. 6 UTP: GWC 20 685 Glossy white, GWC 21 685 Satin black, GWC 22 685 Satin white
- RJ45 cat. 6 FTP: GWC 20 686 Glossy white, GWC 21 686 Satin black, GWC 22 686 Satin white
- RJ45 cat. 6A UTP: GWC 20 687 Glossy white, GWC 21 687 Satin black, GWC 22 687 Satin white
- RJ45 cat. 6A FTP: GWC 20 688 Glossy white, GWC 21 688 Satin black, GWC 22 688 Satin white
- SYSTEMAX Commscope adapters: GWC 20 267 Glossy white, GWC 21 267 Satin black, GWC 22 267 Satin white
- AMP/Keystone Jack adapters: GWC 20 270 Glossy white, GWC 21 270 Satin black, GWC 22 270 Satin white

Optical fiber adapter

- GW 38 335 Angled SC/APC

USB and HDMI adapters

- USB Type A: GWC 20 691 Glossy white, GWC 21 691 Satin black, GWC 22 691 Satin white
- HDMI 2.0: GWC 20 692 Glossy white, GWC 21 692 Satin black, GWC 22 692 Satin white

Audio and video sockets

- Speaker connector: GWC 20 693 Glossy white, GWC 21 693 Satin black, GWC 22 693 Satin white

USB chargers Power Delivery

- USB-C charger 30W Power Delivery: GWC 20 364 Glossy white, GWC 21 364 Satin black, GWC 22 364 Satin white (100-240 V ac - 50/60 Hz)
- USB-C charger 63W Power Delivery: GWC 20 365 Glossy white, GWC 21 365 Satin black, GWC 22 365 Satin white (100-240 V ac - 50/60 Hz)

Protection

Miniature circuit breakers

- 1P-6 A-3 kA C-characteristics: GWC 20 431 Glossy white, GWC 21 431 Satin black, GWC 22 431 Satin white
- 1P-10 A-3 kA C-characteristics: GWC 20 432 Glossy white, GWC 21 432 Satin black, GWC 22 432 Satin white
- 1P-16 A-3 kA C-characteristics: GWC 20 433 Glossy white, GWC 21 433 Satin black, GWC 22 433 Satin white
- 1P+N-6 A-3 kA C-characteristics: GWC 20 434 Glossy white, GWC 21 434 Satin black, GWC 22 434 Satin white
- 1P+N-10 A-3 kA C-characteristics: GWC 20 435 Glossy white, GWC 21 435 Satin black, GWC 22 435 Satin white
- 1P+N-16 A-3 kA C-characteristics: GWC 20 436 Glossy white, GWC 21 436 Satin black, GWC 22 436 Satin white
- GWC 20 454 1P+N-6 A-3 kA C-characteristics
- GWC 20 455 1P+N-10 A-3 kA C-characteristics
- GWC 20 456 1P+N-16 A-3 kA C-characteristics

Residual miniature circuit breakers

- 1P+N-6 A-3 kA-10 mA C-characteristics - A Type: GWC 20 437 Glossy white, GWC 21 437 Satin black, GWC 22 437 Satin white
- 1P+N-10 A-3 kA-10 mA C-characteristics - A Type: GWC 20 438 Glossy white, GWC 21 438 Satin black, GWC 22 438 Satin white
- 1P+N-16 A-3 kA-10 mA C-characteristics - A Type: GWC 20 439 Glossy white, GWC 21 439 Satin black, GWC 22 439 Satin white
- 1P+N-6 A-3 kA-30 mA C-characteristics - A Type: GWC 20 448 Glossy white, GWC 21 448 Satin black, GWC 22 448 Satin white
- 1P+N-10 A-3 kA-30 mA C-characteristics - A Type: GWC 20 449 Glossy white, GWC 21 449 Satin black, GWC 22 449 Satin white
- 1P+N-16 A-3 kA-30 mA C-characteristics - A Type: GWC 20 450 Glossy white, GWC 21 450 Satin black, GWC 22 450 Satin white

Protection devices

- Fuse holder In MAX=16 A: GWC 20 401 Glossy white, GWC 21 401 Satin black, GWC 22 401 Satin white

Energy, climate and comfort management

Dimmer

GWC 20 871
Glossy white
GWC 21 871
Satin black
GWC 22 871
Satin white

Universal
Resist. 10-160 W - LED 4-160 W
Electr. transf. 10-160 W
With two-way switch 230 V ac-50/60 Hz

GWC 20 872
Glossy white
GWC 21 872
Satin black
GWC 22 872
Satin white

Res./Ind. 40-300 W
Electr. transf. 40-300 W
LED 5-150 W
230 V ac-50/60 Hz

DALI interface

GW A1 951
220-240 V ac

Thermoregulation

GWC 20 808
Glossy white
GWC 21 808
Satin black
GWC 22 808
Satin white

Thermostat
230 V ac-50/60 Hz

GW 16 970 CB
Glossy white
GW 16 970 CN
Glossy black

Thermostat/Cronothermostat
Thermo ICE Wi-Fi
110-230 V ac-50/60 Hz
Wall-mounting

GWC 20 857
Glossy white
GWC 21 857
Satin black
GWC 22 857
Satin white

Thermostat
2M
100-240 V ac - 50/60 Hz

Hotel component

Badge switches

GWC 20 820
Glossy white
GWC 21 820
Satin black
GWC 22 820
Satin white

1P-NA-10 A
Backlit 230 V ac

GWC 20 841
Glossy white
GWC 21 841
Satin black
GWC 22 841
Satin white

Shaver socket-outlet
230 V ac-50/60 Hz

GWC 20 851
Glossy white
GWC 21 851
Satin black
GWC 22 851
Satin white

Three-way switches
1M-1P-10 AX
DND + MUR

GWC 20 656
Glossy white
GWC 21 656
Satin black
GWC 22 656
Satin white

Double indicator
lamps
1M - Opal
DND + MUR
Illuminable ¹⁾

Signalling

Anti black-out lamps

GWC 20 836
Glossy white
GWC 21 836
Satin black
GWC 22 836
Satin white

230 V ac-50/60 Hz

GWC 20 837
230 V ac-50 Hz
Extractable

Ringers and buzzers

GWC 20 613
Glossy white
GWC 21 613
Satin black
GWC 22 613
Satin white

12 V ac
Ringers

GWC 20 616
Glossy white
GWC 21 616
Satin black
GWC 22 616
Satin white

230 V ac
Ringers

GWC 20 617
Glossy white
GWC 21 617
Satin black
GWC 22 617
Satin white

12 V ac
Buzzers

GWC 20 620
Glossy white
GWC 21 620
Satin black
GWC 22 620
Satin white

230 V ac
Buzzers

Indicator lamps

GWC 20 606
Glossy white
GWC 21 606
Satin black
GWC 22 606
Satin white

1M - Opal
Illuminable ¹⁾

GWC 20 607
Glossy white
GWC 21 607
Satin black
GWC 22 607
Satin white

1M - Opal
Illuminable ¹⁾

GWC 20 634
Glossy white
GWC 21 634
Satin black
GWC 22 634
Satin white

2M - Opal
Stair riser lamps

GWC 20 627
Glossy white
GWC 21 627
Satin black
GWC 22 627
Satin white

2M-12 V ac/dc-230 V ac-50/60 Hz
Red

GWC 20 628
Glossy white
GWC 21 628
Satin black
GWC 22 628
Satin white

2M-12 V ac/dc-230 V ac-50/60 Hz
Green

Accessories

LED signalling units

GW A1 801
Blue
GW A1 802
White
GW A1 803
Red
GW A1 804
Green
GW A1 805
Amber

With cables
230 V ac-50/60 Hz

GW A1 806
Blue
GW A1 807
White

Screwless
110-230 V ac

GW A1 816
White

With cables
12/24 V ac/dc

GW A1 817
White

Screwless
12/24 V ac/dc

Fluorescent signalling units

GW 30 943
Red

Screwless
230 V ac

Cartridge lamps

GW 20 902
S6x36 - 12 V ac/dc - White
GW 20 903
S6x36 - 24 V ac/dc - White
GW 20 904
S6x31 - 12 V ac/dc - White
GW 20 905
S6x31 - 24 V ac/dc - White
GW 20 906
S6.3x28 - 100/230 V ac - Red
GW 20 908
S6.3x28 - 100/230 V ac - Green


¹⁾ supplied without LED signalling unit

¹⁾ supplied without LED signalling unit

Smart Home

Supervision

Gateway



Home Gateway 2M
100-240 V ac - 50/60 Hz

- GWC 20 856 Glossy white
- GWC 21 856 Satin black
- GWC 22 856 Satin white

Command devices - rocker

Connected two-way switch module

GW A1 301 1M
100-240 V ac - 50/60 Hz

Connected dimmer module

GW A1 321 1M
100-240 V ac - 50/60 Hz

Connected roller shutter module

GW A1 331 1M
100-240 V ac - 50/60 Hz

Connected modules

GW A1 361 1-command - 1M
100-240 V ac - 50/60 Hz

GW A1 341 2-command - 1M
100-240 V ac - 50/60 Hz

Auxiliaries modules

GW A1 351 1-command electronic 1M - Illuminable (*)

2-command roller shutter modules 1M 1P NO+NO (**)

2-command dimmer modules 1M 1P NO+NO (**)

(*) supplied without LED signalling unit
(**) push-buttons supplied with button keys

Interchangeable illuminable button keys

Neutral	Water heater	Light	Ceiling light	Stair light
Floor light	Scenario	Good morning	Good night	Out
In	Bell	Off	On	On/Off
Key	Dimmer	Socket-outlet	In/Out	Scenario

Neutral/Neutral

Up/Down

Increase/Decrease

In/Out

Scenario

Recessed interfaces

Connected contact interfaces

GW A1 501 (*) 2-channel potential-free Battery powered

GW A1 502 (*) 2-channel 230 V ac - 50 Hz

ECO push-button panel

Connected ECO push-button panel module

GW A1 391 4 commands

Interchangeable button keys for ECO push-button panel module

Button key - 1M

Button key - 2M

- GWC 20 080 Glossy white
- GWC 21 080 Satin black
- GWC 22 080 Satin white
- GWC 20 081 Glossy white
- GWC 21 081 Satin black
- GWC 22 081 Satin white

Climate management

Connected thermostats

Thermo ICE Wi-Fi 110-230 V ac - 50/60 Hz Wall-mounting

- GW 16 970 CB Glossy white
- GW 16 970 CL Glossy natural beige
- GW 16 970 CN Glossy black
- GW 16 970 CT Glossy titanium

Thermostat 2M
100-240 V ac - 50/60 Hz

- GWC 20 857 Glossy white
- GWC 21 857 Satin black
- GWC 22 857 Satin white

Load management

Recessed connected energy meter

GW A1 918 With load management 100-240 V ac - 50/60 Hz

Load management relay

GW A1 916 (*) P-Comfort 230 V ac - 50 Hz

Actuators

Connected actuators for generic loads

1-channel 16 A with energy meter 1M
100-240 V ac - 50/60 Hz

- GWC 20 859 Glossy white
- GWC 21 859 Satin black
- GWC 22 859 Satin white

Recessed actuators

Connected actuators for generic loads

GW A1 521 (*) 1-channel 10 A potential-free 230 V ac - 50 Hz

GW A1 522 (*) 2-channel 6 A 230 V ac - 50 Hz

GW A1 523 (*) 1-channel 10 A with power meter 230 V ac - 50 Hz

Connected actuators for roller shutters

GW A1 531 (*) 1-channel 6 A 230 V ac - 50 Hz

Sensors

Connected sensors

Motion sensor 1M
100-240 V ac - 50/60 Hz

- GWC 20 858 Glossy white
- GWC 21 858 Satin black
- GWC 22 858 Satin white

Motion sensors Battery powered

GW A1 511 (*) Range 6 m
GW A1 511 A (*) Range 9 m

GW A1 513 Window sensor Battery powered

GW A1 512 Smoke sensor Battery powered

GW A1 514 Flood sensor Battery powered

GW A1 541 Wall-mounting support for flood sensor

Accessories

Blanking modules

For housing ZigBee contact interfaces and actuators

- GWC 20 059 Glossy white
- GWC 21 059 Satin black
- GWC 22 059 Satin white

For housing KNX contact interfaces

- GWC 20 060 Glossy white
- GWC 21 060 Satin black
- GWC 22 060 Satin white

DIN rail mounting supports

DIN rail System Pura

GW 26 409 1 module - 1.5 DIN modules
GW 26 410 2 modules - 3 DIN modules

LED signalling units

With cables 230 V ac-50/60 Hz

- GW A1 801 Blue
- GW A1 802 White
- GW A1 803 Red
- GW A1 804 Green
- GW A1 805 Amber

Screwless 110-230 V ac

- GW A1 806 Blue
- GW A1 807 White

With cables 12/24 V ac/dc

- GW A1 816 White

Screwless 12/24 V ac/dc

- GW A1 817 White

(*) available until stocks last
(**) for the date of availability, please contact the GEWISS Sales Organization

11 Commercial technical tables

+ Plates and supports

+ Traditional devices

+ Smart Home

Plates and supports

PLATES

Technopolymer

White



Code	Description	Configuration	For support codes	Pack Carton
GWC 25 101 TBN	1 module	-	GWC25803	96
GWC 25 102 TBN	2 modules	-	GWC25802	96
GWC 25 103 TBN	3 modules	-	GWC25803	96
GWC 25 104 TBN	4 modules	-	GWC25804	96
GWC 25 106 TBN	6 modules	-	GWC25806	48
GWC 25 108 TBN	4+4 modules	Overlapping	GWC25808	6
GWC 25 112 TBN	6+6 modules	Overlapping	GWC25812	6

CHARACTERISTICS: glossy finish.

GWC 25 103 TBN

Satin white



Code	Description	For support codes	Pack Carton
GWC 25 101 TBP	1 module	GWC25803	24
GWC 25 102 TBP	2 modules	GWC25802	12
GWC 25 103 TBP	3 modules	GWC25803	24
GWC 25 104 TBP	4 modules	GWC25804	12
GWC 25 106 TBP	6 modules	GWC25806	8

CHARACTERISTICS: matt finish.

GWC 25 103 TBP

Satin black



Code	Description	For support codes	Pack Carton
GWC 25 101 TGR	1 module	GWC25803	24
GWC 25 102 TGR	2 modules	GWC25802	12
GWC 25 103 TGR	3 modules	GWC25803	24
GWC 25 104 TGR	4 modules	GWC25804	12
GWC 25 106 TGR	6 modules	GWC25806	8

CHARACTERISTICS: matt finish.

GWC 25 103 TGR



GWC 25 103 TAL

Almond



Code	Description	For support codes	Pack Carton
GWC 25 101 TAL	1 module	GWC25803	12
GWC 25 102 TAL	2 modules	GWC25802	12
GWC 25 103 TAL	3 modules	GWC25803	24
GWC 25 104 TAL	4 modules	GWC25804	12
GWC 25 106 TAL	6 modules	GWC25806	8

CHARACTERISTICS: glossy finish.

Matcha



GWC 25 103 TMT



Code	Description	For support codes	Pack Carton
GWC 25 101 TMT	1 module	GWC25803	12
GWC 25 102 TMT	2 modules	GWC25802	12
GWC 25 103 TMT	3 modules	GWC25803	24
GWC 25 104 TMT	4 modules	GWC25804	12
GWC 25 106 TMT	6 modules	GWC25806	8

CHARACTERISTICS: glossy finish.

Light dove



GWC 25 103 TTO



Code	Description	For support codes	Pack Carton
GWC 25 101 TTO	1 module	GWC25803	12
GWC 25 102 TTO	2 modules	GWC25802	12
GWC 25 103 TTO	3 modules	GWC25803	24
GWC 25 104 TTO	4 modules	GWC25804	12
GWC 25 106 TTO	6 modules	GWC25806	8

CHARACTERISTICS: matt finish.

Painted technopolymer

Champagne



Code	Description	For support codes	Pack Carton
GWC 25 101 VCH	1 module	GWC25803	12
GWC 25 102 VCH	2 modules	GWC25802	12
GWC 25 103 VCH	3 modules	GWC25803	24
GWC 25 104 VCH	4 modules	GWC25804	12
GWC 25 106 VCH	6 modules	GWC25806	8

CHARACTERISTICS: matt finish.

GWC 25 103 VCH

Silver



Code	Description	For support codes	Pack Carton
GWC 25 101 VSI	1 module	GWC25803	12
GWC 25 102 VSI	2 modules	GWC25802	12
GWC 25 103 VSI	3 modules	GWC25803	24
GWC 25 104 VSI	4 modules	GWC25804	12
GWC 25 106 VSI	6 modules	GWC25806	8

CHARACTERISTICS: matt finish.

GWC 25 103 VSI

Materic smoke gray



Code	Description	For support codes	Pack Carton
GWC 25 101 VFU	1 module	GWC25803	12
GWC 25 102 VFU	2 modules	GWC25802	12
GWC 25 103 VFU	3 modules	GWC25803	24
GWC 25 104 VFU	4 modules	GWC25804	12
GWC 25 106 VFU	6 modules	GWC25806	8

CHARACTERISTICS: materic finish.

GWC 25 103 VFU

SPECIAL PLATES, WALL MOUNTING AND SUPPORTS

Watertight plates

Self-supporting watertight plates for installation on flush-mounting rectangular boxes - IP55



Code	Description	Colour Plate	For flush mounting box	Pack Carton
GWC 25 451	3 modules	White	Rectangular 3 modules	1/30
GWC 25 461	4 modules	White	Rectangular 4 modules	1/30

CHARACTERISTICS: ergonomic membrane made of UV-resistant material. Snap-on closing system. Easy opening by handle.

GWC 25 451

Supports

Insulating supports to install plates on square / rectangular boxes



Code	Description	Fixing	Pack Carton
GWC 25 802	2 modules	2 screws (included)	10/120

GWC 25 802

Insulating supports to install plates on rectangular boxes



Code	Description	Configuration	Fixing	Pack Carton
GWC 25 803	3 modules	-	2 screws (included)	10/250
GWC 25 804	4 modules	-	2 screws (included)	10/150
GWC 25 806	6 modules	-	2 screws (included)	10/100
GWC 25 808	4+4 modules	Overlapping	2 screws (included)	10/60
GWC 25 812	6+6 modules	Overlapping	2 screws (included)	10/40

GWC 25 803

Traditional devices

COMMAND

Command devices

One-way switches - 250 V ac



Code	Colour	Description	Button key	Symbol	Rated power of 230V LED lamps	No. modules	Pack Carton
GWC 20 571 L	Glossy white	1P - 16 AX	Neutral	-	200 W	1	80/320
GWC 21 571 L	Satin black	1P - 16 AX	Neutral	-	200 W	1	80/320
GWC 22 571 L	Satin white	1P - 16 AX	Neutral	-	200 W	1	80/320
GWC 20 572	Glossy white	1P - 16 AX backlit	With lens	-	200 W	1	24/96
GWC 21 572	Satin black	1P - 16 AX backlit	With lens	-	200 W	1	24/96
GWC 22 572	Satin white	1P - 16 AX backlit	With lens	-	200 W	1	24/96
GWC 20 583	Glossy white	1P - 16 AX illuminable	With lens	-	200 W	1	30/60
GWC 21 583	Satin black	1P - 16 AX illuminable	With lens	-	200 W	1	30/60
GWC 22 583	Satin white	1P - 16 AX illuminable	With lens	-	200 W	1	30/60
GWC 20 503	Glossy white	2P - 16 AX	With symbol	0/1	200 W	1	30/60
GWC 21 503	Satin black	2P - 16 AX	With symbol	0/1	200 W	1	30/60
GWC 22 503	Satin white	2P - 16 AX	With symbol	0/1	200 W	1	30/60
GWC 20 504 L	Glossy white	2P - 16 AX backlit	With lens and symbol	0/1	200 W	1	24/96
GWC 21 504 L	Satin black	2P - 16 AX backlit	With lens and symbol	0/1	200 W	1	24/96
GWC 22 504 L	Satin white	2P - 16 AX backlit	With lens and symbol	0/1	200 W	1	24/96
GWC 20 584	Glossy white	2P - 16 AX illuminable	With lens and symbol	0/1	200 W	1	30/60
GWC 21 584	Satin black	2P - 16 AX illuminable	With lens and symbol	0/1	200 W	1	30/60
GWC 22 584	Satin white	2P - 16 AX illuminable	With lens and symbol	0/1	200 W	1	30/60

CHARACTERISTICS: the illuminable articles use LED signalling units, not included.
ACCESSORIES SUPPLIED: GWC2x572, GWC2x504L - white LED 230 V ac (0.4 W), supplied complete with connection cables. The LED units are not halogen-free.

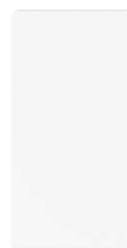
One-way switches 2P for heavy-duty installations - 250 V ac

Code	Colour	Description	Button key	Symbol	No. modules	Pack Carton
GWC 20 585	Glossy white	25 A	With symbol	0/1	1	15/30
GWC 21 585	Satin black	25 A	With symbol	0/1	1	15/30
GWC 22 585	Satin white	25 A	With symbol	0/1	1	15/30

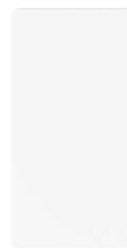
CHARACTERISTICS: suitable for particular heavy-duty loads (e.g. set of fluorescent lamp) or high consumption devices (ovens, air-conditioners, boilers, etc.).



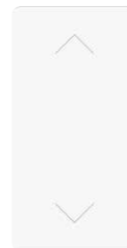
GWC 20 585



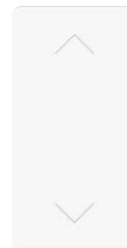
GWC 20 576 L



GWC 20 579 L



GWC 20 559



GWC 20 560 L

Two-way switches 1P - 250 V ac



Code	Colour	Description	Button key	Rated power of 230V LED lamps	No. modules	Pack Carton
GWC 20 576 L	Glossy white	1P - 16 AX	Neutral	200 W	1	80/320
GWC 21 576 L	Satin black	1P - 16 AX	Neutral	200 W	1	80/320
GWC 22 576 L	Satin white	1P - 16 AX	Neutral	200 W	1	80/320
GWC 20 577	Glossy white	1P - 16 AX backlit	With lens	200 W	1	24/96
GWC 21 577	Satin black	1P - 16 AX backlit	With lens	200 W	1	24/96
GWC 22 577	Satin white	1P - 16 AX backlit	With lens	200 W	1	24/96
GWC 20 588	Glossy white	1P - 16 AX illuminable	With lens	200 W	1	30/60
GWC 21 588	Satin black	1P - 16 AX illuminable	With lens	200 W	1	30/60
GWC 22 588	Satin white	1P - 16 AX illuminable	With lens	200 W	1	30/60
GWC 20 008	Glossy white	1P - 10 AX	With key	100 W	1	15/30
GWC 21 008	Satin black	1P - 10 AX	With key	100 W	1	15/30
GWC 22 008	Satin white	1P - 10 AX	With key	100 W	1	15/30

CHARACTERISTICS: the illuminable articles use LED signalling units, not included.
ACCESSORIES SUPPLIED: GWC2x577 - white LED 230 V ac (0.4 W), supplied complete with connection cables. The LED units are not halogen-free. GWC2x008 supplied with 2 keys.

Intermediate switches 1P - 250 V ac



Code	Colour	Description	Button key	Rated power of 230V LED lamps	No. modules	Pack Carton
GWC 20 579 L	Glossy white	1P - 16 AX	Neutral	200 W	1	30/60
GWC 21 579 L	Satin black	1P - 16 AX	Neutral	200 W	1	30/60
GWC 22 579 L	Satin white	1P - 16 AX	Neutral	200 W	1	30/60

Three-way switches 1P - 250 V ac



Code	Colour	Description	Button key	Symbol	Rated power of 230V LED lamps	No. modules	Pack Carton
GWC 20 559	Glossy white	1P - 10 AX	With symbol	UP - DOWN	100 W	1	30/60
GWC 21 559	Satin black	1P - 10 AX	With symbol	UP - DOWN	100 W	1	30/60
GWC 22 559	Satin white	1P - 10 AX	With symbol	UP - DOWN	100 W	1	30/60

CHARACTERISTICS: three standing positions. Both contacts are open in the central position (OFF).
APPLICATIONS: command of circuits requiring an interlock (e.g. operating motorised devices with direction reversal).

Three-way switches 2P - 250 V ac



Code	Colour	Description	Button key	Symbol	Rated power of 230V LED lamps	No. modules	Pack Carton
GWC 20 560 L	Glossy white	2P - 10 AX	With symbol	UP - DOWN	100 W	1	30/60
GWC 21 560 L	Satin black	2P - 10 AX	With symbol	UP - DOWN	100 W	1	30/60
GWC 22 560 L	Satin white	2P - 10 AX	With symbol	UP - DOWN	100 W	1	30/60

CHARACTERISTICS: three standing positions. Both contacts are open in the central position (OFF). With 6 terminal blocks.
APPLICATIONS: command of circuits requiring an interlock (e.g. operating motorised devices with direction reversal). 2-user selective control.

Push-buttons - 250 V ac



Code	Colour	Description	Button key	Symbol	No. modules	Pack Carton
GWC 20 510	Glossy white	1P NO - 10 A	Neutral	-	1	80/160
GWC 21 510	Satin black	1P NO - 10 A	Neutral	-	1	80/160
GWC 22 510	Satin white	1P NO - 10 A	Neutral	-	1	80/160
GWC 20 511	Glossy white	1P NO - 10 A illuminable	With lens and symbol	Key	1	15/30
GWC 21 511	Satin black	1P NO - 10 A illuminable	With lens and symbol	Key	1	15/30
GWC 22 511	Satin white	1P NO - 10 A illuminable	With lens and symbol	Key	1	15/30
GWC 20 512	Glossy white	1P NO - 10 A illuminable	With lens and symbol	Bell	1	30/60
GWC 21 512	Satin black	1P NO - 10 A illuminable	With lens and symbol	Bell	1	30/60
GWC 22 512	Satin white	1P NO - 10 A illuminable	With lens and symbol	Bell	1	30/60
GWC 20 513	Glossy white	1P NO - 10 A illuminable	With lens and symbol	Light	1	15/30
GWC 21 513	Satin black	1P NO - 10 A illuminable	With lens and symbol	Light	1	15/30
GWC 22 513	Satin white	1P NO - 10 A illuminable	With lens and symbol	Light	1	15/30
GWC 20 514	Glossy white	1P NO - 10 A illuminable	With lens and symbol	Stair light	1	15/30
GWC 21 514	Satin black	1P NO - 10 A illuminable	With lens and symbol	Stair light	1	15/30
GWC 22 514	Satin white	1P NO - 10 A illuminable	With lens and symbol	Stair light	1	15/30
GWC 20 515 L	Glossy white	1P NO - 10 A backlit	With lens	-	1	24/96
GWC 21 515 L	Satin black	1P NO - 10 A backlit	With lens	-	1	24/96
GWC 22 515 L	Satin white	1P NO - 10 A backlit	With lens	-	1	24/96
GWC 20 529	Glossy white	1P NO - 10 A illuminable	With lens	-	1	30/60
GWC 21 529	Satin black	1P NO - 10 A illuminable	With lens	-	1	30/60
GWC 22 529	Satin white	1P NO - 10 A illuminable	With lens	-	1	30/60
GWC 20 519	Glossy white	1P NC - 10 A	Neutral	-	1	15/30
GWC 21 519	Satin black	1P NC - 10 A	Neutral	-	1	15/30
GWC 22 519	Satin white	1P NC - 10 A	Neutral	-	1	15/30
GWC 20 521 L	Glossy white	1P NO+NO - 10 A	With interlock and symbol	UP - DOWN	1	30/60
GWC 21 521 L	Satin black	1P NO+NO - 10 A	With interlock and symbol	UP - DOWN	1	30/60
GWC 22 521 L	Satin white	1P NO+NO - 10 A	With interlock and symbol	UP - DOWN	1	30/60
GWC 20 652	Glossy white	1P NO+NO - 10 A	With interlock and symbol	Increase - Decrease	1	30/60
GWC 21 652	Satin black	1P NO+NO - 10 A	With interlock and symbol	Increase - Decrease	1	30/60
GWC 22 652	Satin white	1P NO+NO - 10 A	With interlock and symbol	Increase - Decrease	1	30/60
GWC 20 522	Glossy white	1P NO - 10 A - Aux. NC	With symbol	Start - green circle	1	30/60
GWC 21 522	Satin black	1P NO - 10 A - Aux. NC	With symbol	Start - green circle	1	30/60
GWC 22 522	Satin white	1P NO - 10 A - Aux. NC	With symbol	Start - green circle	1	30/60
GWC 20 523	Glossy white	1P NC - 10 A - Aux. NO	With symbol	Stop - red circle	1	30/60
GWC 21 523	Satin black	1P NC - 10 A - Aux. NO	With symbol	Stop - red circle	1	30/60
GWC 22 523	Satin white	1P NC - 10 A - Aux. NO	With symbol	Stop - red circle	1	30/60
GWC 20 518	Glossy white	2P NO - 10 A	With pull-cord	-	1	20/40
GWC 21 518	Satin black	2P NO - 10 A	With pull-cord	-	1	20/40
GWC 22 518	Satin white	2P NO - 10 A	With pull-cord	-	1	20/40
GWC 20 530	Glossy white	2P NO - 10 A	With key	0/1	1	15/30
GWC 21 530	Satin black	2P NO - 10 A	With key	0/1	1	15/30
GWC 22 530	Satin white	2P NO - 10 A	With key	0/1	1	15/30
GWC 20 558 L	Glossy white	2P NO+NO - 10 A	With interlock and symbol	UP - DOWN	1	30/60
GWC 21 558 L	Satin black	2P NO+NO - 10 A	With interlock and symbol	UP - DOWN	1	30/60
GWC 22 558 L	Satin white	2P NO+NO - 10 A	With interlock and symbol	UP - DOWN	1	30/60

CHARACTERISTICS: the illuminable articles use LED signalling units, not included. GWC2x521L, GWC2x558L and GWC2x652, both contacts are open in the central position (OFF).
 ACCESSORIES SUPPLIED: GWC2x515L - white LED 230 V ac (0.4 W) supplied complete with connection cables. The LED units are not halogen-free. GWC2x518, cord in insulating material, with a knob.
 GWC2x530 supplied with 2 keys.

Push-buttons with illuminable name-plate - 250 V ac



Code	Colour	Description	Lamp voltage	Lamp	Lamp power	No. modules	Pack Carton
GWC 20 591	Glossy white	1P NO - 10 A	12-24 V ac/dc	Cartridge lamp S6x36 mm	2 W	2	15/30
GWC 21 591	Satin black	1P NO - 10 A	12-24 V ac/dc	Cartridge lamp S6x36 mm	2 W	2	15/30
GWC 22 591	Satin white	1P NO - 10 A	12-24 V ac/dc	Cartridge lamp S6x36 mm	2 W	2	15/30
GWC 20 024	Glossy white	1P NO - 10 A	12-24 V ac/dc	Cartridge lamp S6x36 mm	2 W	3	20/40
GWC 21 024	Satin black	1P NO - 10 A	12-24 V ac/dc	Cartridge lamp S6x36 mm	2 W	3	20/40
GWC 22 024	Satin white	1P NO - 10 A	12-24 V ac/dc	Cartridge lamp S6x36 mm	2 W	3	20/40

CHARACTERISTICS: supplied without lamp.

GWC 20 510

GWC 20 024

Command devices - 250 V ac



Code	Colour	Description	Button key	Type	Rated power of 230V LED lamps	No. modules	Pack Carton
GWC 20 587	Glossy white	1P - 16 AX	Neutral	Switch	200 W	2	15/30
GWC 21 587	Satin black	1P - 16 AX	Neutral	Switch	200 W	2	15/30
GWC 22 587	Satin white	1P - 16 AX	Neutral	Switch	200 W	2	15/30
GWC 20 586	Glossy white	1P - 16 AX illuminable	With lens	Switch	200 W	2	15/30
GWC 21 586	Satin black	1P - 16 AX illuminable	With lens	Switch	200 W	2	15/30
GWC 22 586	Satin white	1P - 16 AX illuminable	With lens	Switch	200 W	2	15/30
GWC 20 589	Glossy white	1P - 16 AX illuminable	With lens	Switch	200 W	2	15/30
GWC 21 589	Satin black	1P - 16 AX illuminable	With lens	Switch	200 W	2	15/30
GWC 22 589	Satin white	1P - 16 AX illuminable	With lens	Switch	200 W	2	15/30
GWC 20 590	Glossy white	1P - 16 AX	Neutral	Switch	200 W	2	15/30
GWC 21 590	Satin black	1P - 16 AX	Neutral	Switch	200 W	2	15/30
GWC 22 590	Satin white	1P - 16 AX	Neutral	Switch	200 W	2	15/30
GWC 20 526	Glossy white	1P NO - 10 A	Neutral	Push-button	-	2	15/30
GWC 21 526	Satin black	1P NO - 10 A	Neutral	Push-button	-	2	15/30
GWC 22 526	Satin white	1P NO - 10 A	Neutral	Push-button	-	2	15/30
GWC 20 527	Glossy white	1P NO - 10 A illuminable	With lens	Push-button	-	2	15/30
GWC 21 527	Satin black	1P NO - 10 A illuminable	With lens	Push-button	-	2	15/30
GWC 22 527	Satin white	1P NO - 10 A illuminable	With lens	Push-button	-	2	15/30

CHARACTERISTICS: the illuminable articles use miniature LED signalling units, not included.

One-way switches - 250 V ac

Code	Colour	Description	No. modules	Pack Carton
GWC 20 804	Glossy white	2P - 40 A backlit	3	1/4
GWC 21 804	Satin black	2P - 40 A backlit	3	1/4
GWC 22 804	Satin white	2P - 40 A backlit	3	1/4

CHARACTERISTICS: equipped with a red signalling unit, not replaceable.

GWC 20 589

GWC 20 804

Blanking modules and outlets

Blanking modules and cable outlets



Code	Colour	Description	No. modules	Pack Carton
GWC 20 056	Glossy white	1 module	1	10/480
GWC 21 056	Satin black	1 module	1	10/480
GWC 22 056	Satin white	1 module	1	10/480
GWC 20 073	Glossy white	2 modules	2	30/60
GWC 21 073	Satin black	2 modules	2	30/60
GWC 22 073	Satin white	2 modules	2	30/60
GWC 20 058	Glossy white	1 module with outlet for cable Ø 4 and Ø 8 mm	1	60/120
GWC 21 058	Satin black	1 module with outlet for cable Ø 4 and Ø 8 mm	1	60/120
GWC 22 058	Satin white	1 module with outlet for cable Ø 4 and Ø 8 mm	1	60/120

APPLICATIONS: in addition to their normal use, they permit installing signal socket-outlets, microswitches and LEDs after appropriate drilling/preparation.

GWC 20 056

Movement detectors

IR movement detectors - 230 V ac



GWC 20 821

Code	Colour	Supply voltage	Output contacts	No. modules	Pack Carton
GWC 20 821	Glossy white	230 V ac - 50/60 Hz	1NO 3 A (AC1) 230 V ac	1	1/4
GWC 21 821	Satin black	230 V ac - 50/60 Hz	1NO 3 A (AC1) 230 V ac	1	1/4
GWC 22 821	Satin white	230 V ac - 50/60 Hz	1NO 3 A (AC1) 230 V ac	1	1/4

CHARACTERISTICS: adjustment of the intervention duration 15 sec - 10 min. Light sensitive threshold adjustment - min. 10 lux - max. inhibited. Suitable for commanding halogen lamps/resistive loads: 700 W, incandescent lamps: 450 W, low voltage halogen lamps (12 V) controlled by toroidal or electronic transformers: 450 W, uncompensated fluorescent lamps: 2x58 W, motors and gear motors: 400 VA, LED loads: 60 W (max. 10 lamps). Not suitable for compensated fluorescent lamps, for discharge lamps and for all loads not indicated that must be commanded using a support relay.

APPLICATIONS: Energy-saving: command of the lighting of rooms and areas only when people pass through. Comfort and safety: automatic command of circuits without needing to activate one-way switches.

NOTES: do not install the product in watertight plates: the lid membrane does not allow the detector lens to work correctly. Detection beam angle 120°, depth of detection max 8 metres.

Relays

Call relays - 12 V ac/dc



GWC 20 076

Code	Colour	Supply voltage	No. of poles	Output contacts	No. modules	Pack Carton
GWC 20 076	Glossy white	12 V ac/dc	1	1NO/NC 12 V (max. 1 A)	1	1/12
GWC 21 076	Satin black	12 V ac/dc	1	1NO/NC 12 V (max. 1 A)	1	1/12
GWC 22 076	Satin white	12 V ac/dc	1	1NO/NC 12 V (max. 1 A)	1	1/12

CHARACTERISTICS: reset button integrated on the front and white mains presence indicator lamp.

POWER

Socket-outlets - Italian/German standard

Italian/German standard socket-outlets - 250 V ac



GWC 20 205



Code	Colour	Description	Earth pit	Type	For plug pins	No. modules	Pack Carton
GWC 20 205	Glossy white	2P+E - 16 A	Side and central	P30	Ø 4 / 4.8 mm	2	30/60
GWC 21 205	Satin black	2P+E - 16 A	Side and central	P30	Ø 4 / 4.8 mm	2	30/60
GWC 22 205	Satin white	2P+E - 16 A	Side and central	P30	Ø 4 / 4.8 mm	2	30/60

CHARACTERISTICS: with safety shields.

Socket-outlets - International standard

German standard socket-outlets - 250 V ac



GWC 20 265

Code	Colour	Description	For plug pins	No. modules	Pack Carton
GWC 20 265	Glossy white	2P+E - 16 A	Ø 4.8 mm	2	30/120
GWC 21 265	Satin black	2P+E - 16 A	Ø 4.8 mm	2	30/120
GWC 22 265	Satin white	2P+E - 16 A	Ø 4.8 mm	2	30/120

CHARACTERISTICS: with safety shields.

German standard socket-outlets with lid IP40 - 250 V ac



GWC 20 268

Code	Colour	Description	For plug pins	No. modules	Pack Carton
GWC 20 268	Glossy white	2P+E - 16 A	Ø 4.8 mm	2	6/48
GWC 21 268	Satin black	2P+E - 16 A	Ø 4.8 mm	2	6/48
GWC 22 268	Satin white	2P+E - 16 A	Ø 4.8 mm	2	6/48

CHARACTERISTICS: with safety shields. Equipped with a transparent rigid cover with a glossy finish. IP40 degree of protection with the cover closed.

Double 45° German standard socket-outlets - 250 V ac

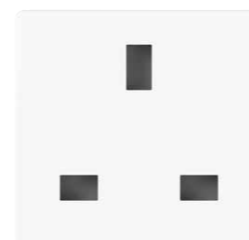


GWC 20 342

Code	Colour	Description	For plug pins	Type	No. modules	Pack Carton
GWC 20 342	Glossy white	2P+E - 16 A	Ø 4.8 mm	Double - 45° alveolus	4	3/60
GWC 21 342	Satin black	2P+E - 16 A	Ø 4.8 mm	Double - 45° alveolus	4	3/60
GWC 22 342	Satin white	2P+E - 16 A	Ø 4.8 mm	Double - 45° alveolus	4	3/60

CHARACTERISTICS: with safety shields.

British/South African socket-outlets - 250 V ac



GWC 20 208

Code	Colour	Description	For plug pins	No. modules	Pack Carton
GWC 20 208	Glossy white	2P+E - 13 A	Flat	2	30/60
GWC 21 208	Satin black	2P+E - 13 A	Flat	2	30/60
GWC 22 208	Satin white	2P+E - 13 A	Flat	2	30/60
GWC 20 209	Glossy white	2P+E - 16 A	Ø 7 mm	2	30/60
GWC 21 209	Satin black	2P+E - 16 A	Ø 7 mm	2	30/60
GWC 22 209	Satin white	2P+E - 16 A	Ø 7 mm	2	30/60

CHARACTERISTICS: with safety shields.

NOTES: given the size of the plugs, it is not possible to install two or more socket-outlets side-by-side.

South African standard socket-outlets - 250 V ac



GWC 20 269



Code	Colour	Description	For plug pins	No. modules	Pack Carton
GWC 20 269	Glossy white	2P+E - 16 A	Round Ø 4.5 mm	1	12/240
GWC 21 269	Satin black	2P+E - 16 A	Round Ø 4.5 mm	1	12/240
GWC 22 269	Satin white	2P+E - 16 A	Round Ø 4.5 mm	1	12/240

CHARACTERISTICS: with safety shields.

Swiss standard socket-outlets - 250 V ac



GWC 20 354



Code	Colour	Description	For plug pins	No. modules	Pack Carton
GWC 20 354	Glossy white	2P+E - 10 A	Ø 4 mm	2	6/48
GWC 21 354	Satin black	2P+E - 10 A	Ø 4 mm	2	6/48
GWC 22 354	Satin white	2P+E - 10 A	Ø 4 mm	2	6/48

CHARACTERISTICS: with safety shields.

Euro-American standard socket-outlets - 250/125 V ac



GWC 20 212



Code	Colour	Description	For plug pins	No. modules	Pack Carton
GWC 20 212	Glossy white	2P+E - 16 A	Ø 4 mm / flat	1	30/60
GWC 21 212	Satin black	2P+E - 16 A	Ø 4 mm / flat	1	30/60
GWC 22 212	Satin white	2P+E - 16 A	Ø 4 mm / flat	1	30/60
GWC 20 213	Glossy white	2P - 16 A	Ø 4 mm / flat	1	30/60
GWC 21 213	Satin black	2P - 16 A	Ø 4 mm / flat	1	30/60
GWC 22 213	Satin white	2P - 16 A	Ø 4 mm / flat	1	30/60

USA standard socket-outlets - 250/125 V ac

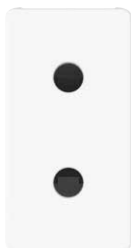


GWC 20 214



Code	Colour	Description	For plug pins	Shape	No. modules	Pack Carton
GWC 20 214	Glossy white	2P+E - 15 A	Flat parallel horizontal	Parallel horizontal	1	30/60
GWC 21 214	Satin black	2P+E - 15 A	Flat parallel horizontal	Parallel horizontal	1	30/60
GWC 22 214	Satin white	2P+E - 15 A	Flat parallel horizontal	Parallel horizontal	1	30/60

Egyptian standard socket-outlets - 250 V ac



GWC 20 273



Code	Colour	Description	For plug pins	No. modules	Pack Carton
GWC 20 273	Glossy white	2P+E - 10 A	Ø 4 / 4.8 mm	1	30/60
GWC 21 273	Satin black	2P+E - 10 A	Ø 4 / 4.8 mm	1	30/60
GWC 22 273	Satin white	2P+E - 10 A	Ø 4 / 4.8 mm	1	30/60

Israeli standard socket-outlets - 250 V ac



GWC 20 220



Code	Colour	Description	For plug pins	No. modules	Pack Carton
GWC 20 220	Glossy white	2P+E - 16 A	Round Ø 4 / 4.4 mm	2	40/80
GWC 21 220	Satin black	2P+E - 16 A	Round Ø 4 / 4.4 mm	2	40/80
GWC 22 220	Satin white	2P+E - 16 A	Round Ø 4 / 4.4 mm	2	40/80

CHARACTERISTICS: with safety shields. Pre-arranged for housing signalling units, not included.

Double Israeli standard socket-outlets - 250 V ac



GWC 20 344



Code	Colour	Description	For plug pins	Type	No. modules	Pack Carton
GWC 20 344	Glossy white	2P+E - 16 A	Round Ø 4 / 4.4 mm	Double	4	3/60
GWC 21 344	Satin black	2P+E - 16 A	Round Ø 4 / 4.4 mm	Double	4	3/60
GWC 22 344	Satin white	2P+E - 16 A	Round Ø 4 / 4.4 mm	Double	4	3/60

CHARACTERISTICS: with safety shields.

Israeli standard socket-outlets - 250 V ac



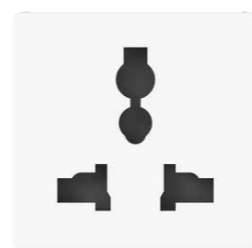
GWC 20 320



Code	Colour	Description	For plug pins	No. modules	Pack Carton
GWC 20 320	Glossy white	2P - 10 A	Round Ø 4 mm	1	30/60
GWC 21 320	Satin black	2P - 10 A	Round Ø 4 mm	1	30/60
GWC 22 320	Satin white	2P - 10 A	Round Ø 4 mm	1	30/60

CHARACTERISTICS: with safety shields.

Multistandard socket-outlets - 250/127 V ac



GWC 20 353



Code	Colour	Description	No. modules	Pack Carton
GWC 20 353	Glossy white	2P+E - 13 A/250 V ac - 15 A/127 V ac	2	10/40
GWC 21 353	Satin black	2P+E - 13 A/250 V ac - 15 A/127 V ac	2	10/40
GWC 22 353	Satin white	2P+E - 13 A/250 V ac - 15 A/127 V ac	2	10/40

CHARACTERISTICS: with safety shields.

APPLICATIONS: suitable for plugs compliant with the following standards: Europlug 2P 2.5 A - 250 V ac, British 2P+E 13 A - 250 V ac, Italian 2P 10 A - 250 V ac, Danish 2P 10 A - 250 V ac, Chinese 2P+E 10 A - 250 V ac, Argentinean/Australian 2P+E 10 A - 250 V ac, Indian 2P+E 6 A - 250 V ac, USA 2P+E 15 A - 127 V ac. Not suitable for 2P+E German and French sockets because they don't offer earth continuity.

NOTES: the multistandard energy sockets GWC2x353 are in compliance with the safety requirements defined by the International Standard IEC 60884-1. These sockets may not be in compliance with the standard sheets used in the country where they are sold, hence their usage could be prohibited or however, restricted only for specific applications. The plugs allowed are listed in the technical datasheet. Please contact directly Gewiss technical service for further information.

Socket-outlets for dedicated lines

Italian/German standard socket-outlets for dedicated lines - 250 V ac



GWC 20 282



Code	Description	Earth pit	Colour	Type	For plug pins	No. modules	Pack Carton
GWC 20 282	2P+E - 16 A dual amperage	Side and central	Green	P40	Ø 4 / 4.8 / 5 mm	2	15/30
GWC 20 287	2P+E - 16 A dual amperage	Side and central	Orange	P40	Ø 4 / 4.8 / 5 mm	2	15/30

CHARACTERISTICS: with safety shields.

German standard socket-outlets for dedicated lines - 250 V ac



GWC 20 283



Code	Description	Colour	For plug pins	No. modules	Pack Carton
GWC 20 297	2P+E - 16 A	Red	Ø 4.8 mm	2	30/120
GWC 20 283	2P+E - 16 A	Green	Ø 4.8 mm	2	15/30
GWC 20 288	2P+E - 16 A	Orange	Ø 4.8 mm	2	15/30

CHARACTERISTICS: with safety shields.

Double 45° German standard socket-outlets for dedicated lines - 250 V ac



GWC 20 343



Code	Description	Colour	For plug pins	Type	No. modules	Pack Carton
GWC 20 343	2P+E - 16 A	Red	Ø 4.8 mm	Double - 45° alveolus	4	3/60

CHARACTERISTICS: with safety shields.

French standard socket-outlets for dedicated lines - 250 V ac



GWC 20 312



Code	Description	Colour	For plug pins	No. modules	Pack Carton
GWC 20 312	2P+E - 16 A	Red	Ø 4.8 mm	2	15/30

CHARACTERISTICS: with safety shields.

Israeli standard socket-outlets for dedicated lines - 250 V ac



Code	Description	Colour	For plug pins	No. modules	Pack Carton
GWC 20 298	2P+E - 16 A	Red	Round Ø 4 / 4.4 mm	2	40/80

CHARACTERISTICS: with safety shields. Pre-arranged for housing miniature lamps, not included.



GWC 20 298

Israeli standard socket-outlets for dedicated applications - 250 V ac



Code	Description	Colour	For plug pins	No. modules	Pack Carton
GWC 20 299	2P+E - 16 A	Blue	Round Ø 4 / 4.4 mm	2	40/80

CHARACTERISTICS: with safety shields. Pre-arranged for housing miniature lamps, not included.



GWC 20 299

DATA

TV-SAT sockets

Coaxial TV-SAT sockets (5-2400 MHz) class A shielding - F female connector



GWC 20 277

Code	Description	Type	Attenuation	No. modules	Pack Carton
GW 20 277	Terminal resistance 75 ohm	-	-	-	50/200

CHARACTERISTICS: GW20277 in combination with feedthrough sockets allows you to make terminal sockets.

Coaxial TV-SAT sockets with press-fit connector (5-2400 MHz) class A shielding - F female connector



GWC 20 368



Code	Colour	Description	Type	Attenuation	No. modules	Pack Carton
GWC 20 368	Glossy white	Direct	With passage of current	0 dB	1	1/180
GWC 21 368	Satin black	Direct	With passage of current	0 dB	1	1/180
GWC 22 368	Satin white	Direct	With passage of current	0 dB	1	1/180

CHARACTERISTICS: socket allows the passage of voltage/current of remote power supply and/or control signals towards the user port (max 24 V - 500 mA).

APPLICATIONS: socket suitable for return channel.

Coaxial TV sockets with press-fit connector (5-2400 MHz) class A shielding - IEC male connector Ø 9.5 mm



GWC 20 366



Code	Colour	Description	Type	Attenuation	No. modules	Pack Carton
GWC 20 366	Glossy white	Direct	With passage of current	0 dB	1	30/60
GWC 21 366	Satin black	Direct	With passage of current	0 dB	1	30/60
GWC 22 366	Satin white	Direct	With passage of current	0 dB	1	30/60
GWC 20 367	Glossy white	Through wiring	-	5 dB	1	30/60
GWC 21 367	Satin black	Through wiring	-	5 dB	1	30/60
GWC 22 367	Satin white	Through wiring	-	5 dB	1	30/60

CHARACTERISTICS: GWC2366 allows the passage of voltage/current of remote power supply and/or control signals towards the user port (max 24 V - 500 mA).

APPLICATIONS: sockets suitable for return channel.

Coaxial TV+SAT sockets (5-2400 MHz) class A shielding - F female connector + IEC male connector Ø 9.5 mm



GWC 20 372



Code	Colour	Description	Type	Attenuation	No. modules	Pack Carton
GWC 20 372	Glossy white	Direct	With passage of current	0 dB	1	15/30
GWC 21 372	Satin black	Direct	With passage of current	0 dB	1	15/30
GWC 22 372	Satin white	Direct	With passage of current	0 dB	1	15/30

NOTES: demised socket with an entry for a Ø 5 mm or 7 mm coaxial cable.

Socket-outlets for auxiliary and signal circuits

Socket-outlets for SELV auxiliary circuit



GWC 20 234



Code	Colour	Description	For plug pins	Centre distance	No. modules	Pack Carton
GWC 20 234	Glossy white	2P - 6 A - 24 V polarized	Flat	12.4 mm	1	15/30
GWC 21 234	Satin black	2P - 6 A - 24 V polarized	Flat	12.4 mm	1	15/30
GWC 22 234	Satin white	2P - 6 A - 24 V polarized	Flat	12.4 mm	1	15/30

Telephone sockets



GWC 20 251

RJ11 telephone sockets



Code	Colour	Description	Cables type	Connection	No. modules	Pack Carton
GWC 20 251	Glossy white	RJ11	Twisted pair	Screw-on terminals	1	15/30
GWC 21 251	Satin black	RJ11	Twisted pair	Screw-on terminals	1	15/30
GWC 22 251	Satin white	RJ11	Twisted pair	Screw-on terminals	1	15/30

APPLICATIONS: data transmission/telephony.

British standard telephone sockets



GWC 20 272

Code	Colour	Description	Connection	No. modules	Pack Carton
GWC 20 272	Glossy white	British 6 contacts	Screw-on terminals	1	15/30
GWC 21 272	Satin black	British 6 contacts	Screw-on terminals	1	15/30
GWC 22 272	Satin white	British 6 contacts	Screw-on terminals	1	15/30

Data sockets

RJ45 sockets



GWC 20 686



Code	Colour	Description	No. pairs	Use category	Cables	Connection	No. modules	Pack Carton
GWC 20 271	Glossy white	RJ45	4	5e	UTP	Toolless	1	15/30
GWC 21 271	Satin black	RJ45	4	5e	UTP	Toolless	1	15/30
GWC 22 271	Satin white	RJ45	4	5e	UTP	Toolless	1	15/30
GWC 20 243	Glossy white	RJ45	4	5e	FTP	Toolless	1	15/30
GWC 21 243	Satin black	RJ45	4	5e	FTP	Toolless	1	15/30
GWC 22 243	Satin white	RJ45	4	5e	FTP	Toolless	1	15/30
GWC 20 685	Glossy white	RJ45	4	6	UTP	Toolless	1	15/30
GWC 21 685	Satin black	RJ45	4	6	UTP	Toolless	1	15/30
GWC 22 685	Satin white	RJ45	4	6	UTP	Toolless	1	15/30
GWC 20 686	Glossy white	RJ45	4	6	FTP	Toolless	1	15/30
GWC 21 686	Satin black	RJ45	4	6	FTP	Toolless	1	15/30
GWC 22 686	Satin white	RJ45	4	6	FTP	Toolless	1	15/30
GWC 20 687	Glossy white	RJ45	4	6A	UTP	Toolless	1	15/30
GWC 21 687	Satin black	RJ45	4	6A	UTP	Toolless	1	15/30
GWC 22 687	Satin white	RJ45	4	6A	UTP	Toolless	1	15/30
GWC 20 688	Glossy white	RJ45	4	6A	FTP	Toolless	1	15/30
GWC 21 688	Satin black	RJ45	4	6A	FTP	Toolless	1	15/30
GWC 22 688	Satin white	RJ45	4	6A	FTP	Toolless	1	15/30

APPLICATIONS: LANs up to 100 MHz (e.g. Ethernet) for cat. 5e. LANs up to 250 MHz (e.g. Videoconference systems, video surveillance) for cat. 6. LANs up to 500 MHz for cat.6A, with UTP and FTP sockets, ideal for high-performance applications and environments with demanding data transmission requirements.

Adapters for housing data connectors



GWC 20 267



Code	Colour	Compatibility	No. modules	Pack Carton
GWC 20 267	Glossy white	SYSTIMAX COMMSCOPE	1	1/120
GWC 21 267	Satin black	SYSTIMAX COMMSCOPE	1	1/120
GWC 22 267	Satin white	SYSTIMAX COMMSCOPE	1	1/120
GWC 20 270	Glossy white	AMP / Keystone Jack	1	1/120
GWC 21 270	Satin black	AMP / Keystone Jack	1	1/120
GWC 22 270	Satin white	AMP / Keystone Jack	1	1/120

NOTES: with regard to the technological developments and dimensional variants introduced by connector manufacturers, you are advised to check in advance the full compatibility between the connector and the Gewiss adapter.

Audio and video sockets

Loudspeaker sockets



GWC 20 693

Code	Colour	No. modules	Pack Carton
GWC 20 693	Glossy white	1	1/24
GWC 21 693	Satin black	1	1/24
GWC 22 693	Satin white	1	1/24

CHARACTERISTICS: front access terminals for inserting 1.5 mm² rigid wires, insulator punching rear connection suitable for cables AWG24 or max 0.25mm².

Adapter for optical fiber



GW 38 335

Angled SC/APC adapter

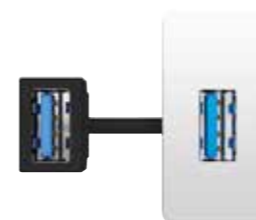
Code	Type	Tilt	For connectors	Compatibility	Colour	Pack Carton
GW 38 335	Female/Female	40°	SC/APC	Keystone Jack	Green RAL 6018	1/25

CHARACTERISTICS: cable outlet inclined of 40° to the wall line. With ceramic fiber optic sleeve and dust caps. The front output is protected with safety cap and unmissable cord. Suitable to join two single-mode SC/APC fiber optic patch cables.

NOTES: for adapters of wiring devices ranges with Keystone Jack coupling.

USB and HDMI adapters

USB connectors



GWC 20 691

Code	Colour	Type	Cable length	No. modules	Pack Carton
GWC 20 691	Glossy white	Female/Female - Type A 3.0	0.2 m	1	1/48
GWC 21 691	Satin black	Female/Female - Type A 3.0	0.2 m	1	1/48
GWC 22 691	Satin white	Female/Female - Type A 3.0	0.2 m	1	1/48

HDMI connectors



GWC 20 692

Code	Colour	Type	Cable length	No. modules	Pack Carton
GWC 20 692	Glossy white	Female/Female - HDMI 2.0	0.2 m	1	1/48
GWC 21 692	Satin black	Female/Female - HDMI 2.0	0.2 m	1	1/48
GWC 22 692	Satin white	Female/Female - HDMI 2.0	0.2 m	1	1/48

USB chargers

USB chargers for electronic devices



GWC 20 364

Code	Colour	Supply voltage	Output voltage	Max. total power output	PD	USB-IF	Outputs N° and type	No. modules	Pack Carton
GWC 20 364	Glossy white	100 ÷ 240 V ac - 50/60 Hz	5-9-15-20 V dc	30 W	Yes	Yes	1 / C	1	1/12
GWC 21 364	Satin black	100 ÷ 240 V ac - 50/60 Hz	5-9-15-20 V dc	30 W	Yes	Yes	1 / C	1	1/12
GWC 22 364	Satin white	100 ÷ 240 V ac - 50/60 Hz	5-9-15-20 V dc	30 W	Yes	Yes	1 / C	1	1/12
GWC 20 365	Glossy white	100 ÷ 240 V ac - 50/60 Hz	5-9-15-20 V dc	63 W	Yes	Yes	2 / C	2	1/6
GWC 21 365	Satin black	100 ÷ 240 V ac - 50/60 Hz	5-9-15-20 V dc	63 W	Yes	Yes	2 / C	2	1/6
GWC 22 365	Satin white	100 ÷ 240 V ac - 50/60 Hz	5-9-15-20 V dc	63 W	Yes	Yes	2 / C	2	1/6

CHARACTERISTICS: GWC2x364 USB C charger, for fast charging up to 30 W with Power Delivery technology. Suitable for charging electronic devices such as notebooks, tablets, smartphones and smart watches. Charging compatibility with devices on the market is guaranteed by USB-IF certification.

GWC2x365 USB C charger, for fast charging up to 30 W with Power Delivery technology. Suitable for charging electronic devices such as notebooks, tablets, smartphones and smart watches. Charging compatibility with devices on the market is guaranteed by USB-IF certification.

PROTECTION

Miniature circuit breakers



GWC 20 431

MCB - Miniature circuit breakers - C characteristic - 230 V ac

Code	Colour	Description	Rated current (A)	No. modules	Pack Carton
Breaking capacity: 3 kA					
GWC 20 431	Glossy white	Single pole (1P)	6	1	15/30
GWC 21 431	Satin black	Single pole (1P)	6	1	15/30
GWC 22 431	Satin white	Single pole (1P)	6	1	15/30
GWC 20 432	Glossy white	Single pole (1P)	10	1	15/30
GWC 21 432	Satin black	Single pole (1P)	10	1	15/30
GWC 22 432	Satin white	Single pole (1P)	10	1	15/30
GWC 20 433	Glossy white	Single pole (1P)	16	1	15/30
GWC 21 433	Satin black	Single pole (1P)	16	1	15/30
GWC 22 433	Satin white	Single pole (1P)	16	1	15/30
GWC 20 434	Glossy white	Two-pole (1P+N)	6	1	15/30
GWC 21 434	Satin black	Two-pole (1P+N)	6	1	15/30
GWC 22 434	Satin white	Two-pole (1P+N)	6	1	15/30
GWC 20 435	Glossy white	Two-pole (1P+N)	10	1	15/30
GWC 21 435	Satin black	Two-pole (1P+N)	10	1	15/30
GWC 22 435	Satin white	Two-pole (1P+N)	10	1	15/30
GWC 20 436	Glossy white	Two-pole (1P+N)	16	1	15/30
GWC 21 436	Satin black	Two-pole (1P+N)	16	1	15/30
GWC 22 436	Satin white	Two-pole (1P+N)	16	1	15/30

RCBO - Residual current breakers with overcurrent protection - C characteristic - class A - 230 V ac - 50/60 Hz



GWC 20 437

Code	Colour	Description	I _{dn}	Rated current (A)	No. modules	Pack Carton
Breaking capacity: 3 kA						
GWC 20 437	Glossy white	Two-pole (1P+N)	10 mA	6	2	1/15
GWC 21 437	Satin black	Two-pole (1P+N)	10 mA	6	2	1/15
GWC 22 437	Satin white	Two-pole (1P+N)	10 mA	6	2	1/15
GWC 20 438	Glossy white	Two-pole (1P+N)	10 mA	10	2	1/15
GWC 21 438	Satin black	Two-pole (1P+N)	10 mA	10	2	1/15
GWC 22 438	Satin white	Two-pole (1P+N)	10 mA	10	2	1/15
GWC 20 439	Glossy white	Two-pole (1P+N)	10 mA	16	2	1/15
GWC 21 439	Satin black	Two-pole (1P+N)	10 mA	16	2	1/15
GWC 22 439	Satin white	Two-pole (1P+N)	10 mA	16	2	1/15
GWC 20 448	Glossy white	Two-pole (1P+N)	30 mA	6	2	1/15
GWC 21 448	Satin black	Two-pole (1P+N)	30 mA	6	2	1/15
GWC 22 448	Satin white	Two-pole (1P+N)	30 mA	6	2	1/15
GWC 20 449	Glossy white	Two-pole (1P+N)	30 mA	10	2	1/15
GWC 21 449	Satin black	Two-pole (1P+N)	30 mA	10	2	1/15
GWC 22 449	Satin white	Two-pole (1P+N)	30 mA	10	2	1/15
GWC 20 450	Glossy white	Two-pole (1P+N)	30 mA	16	2	1/15
GWC 21 450	Satin black	Two-pole (1P+N)	30 mA	16	2	1/15
GWC 22 450	Satin white	Two-pole (1P+N)	30 mA	16	2	1/15

MCB - Red miniature circuit breakers for dedicated circuits - C characteristic - 230 V ac

Code	Description	Rated current (A)	No. modules	Pack Carton
Breaking capacity: 3 kA				
GWC 20 454	Two-pole (1P+N)	6	1	15/30
GWC 20 455	Two-pole (1P+N)	10	1	15/30
GWC 20 456	Two-pole (1P+N)	16	1	15/30



GWC 20 454

Protection devices



GWC 20 401

Fuse-holders - 250 V ac

Code	Colour	Rated current (A)	Fuse type	No. modules	Pack Carton
GWC 20 401	Glossy white	16	Ø 6.3 x 32 mm	1	30/60
GWC 21 401	Satin black	16	Ø 6.3 x 32 mm	1	30/60
GWC 22 401	Satin white	16	Ø 6.3 x 32 mm	1	30/60

ENERGY, TEMPERATURE AND COMFORT MANAGEMENT

Dimmer and interfaces

Universal rotating electronic regulators



GWC 20 871

Code	Colour	Supply voltage	No. modules	Pack Carton
GWC 20 871	Glossy white	230 V ac - 50 Hz	1	1/12
GWC 21 871	Satin black	230 V ac - 50 Hz	1	1/12
GWC 22 871	Satin white	230 V ac - 50 Hz	1	1/12

CHARACTERISTICS: suitable for dimming incandescent and halogen lamps 230 V ac (10-160 W); low-voltage halogen lamps (12 V ac) with electronic transformers (10-160 W) and LED lamps 230 V ac (4-160 W), rotary control with 2-way switch. Equipped with amber-colour-red signalling LED. Can be operated without neutral connection.

NOTES: the installation of more than one dimmer side-by-side in a single container is not permitted. To avoid overheating, insert a blanking module between two dimmers. If installing two dimmers in the same box, the maximum loads that can be controlled by each dimmer must be reduced by 50%.

Universal electronic regulators with push-button



GWC 20 872

Code	Colour	Supply voltage	No. modules	Pack Carton
GWC 20 872	Glossy white	230 V ac - 50/60 Hz	1	1/12
GWC 21 872	Satin black	230 V ac - 50/60 Hz	1	1/12
GWC 22 872	Satin white	230 V ac - 50/60 Hz	1	1/12

CHARACTERISTICS: for the regulation and switching of incandescent and halogen lamps 230 V ac (40-300 W), low voltage halogen and LED lamps with electronic and winding transformers (40-300 W), LED lamps 230 V ac with dimmer function (5-150 W). Manual selection of the type of load (Leading Edge or Trailing Edge piloting), soft-start function for lamp protection. Possibility to command and regulate from remote control pushbuttons with NO contacts. Equipped with orange signalling LED.

NOTES: to avoid overheating, the side-by-side installation of several products in a single container is not permitted; insert a blanking module between two electronic devices. If two regulators are installed in the same box, the maximum loads that can be commanded by each regulator must be reduced by 50%.

Dali interface - 2 channels



GW A1 951

Code	Supply voltage	Communication protocol	Pack Carton
GW A1 951	220 - 240 V ac	DALI-2	1

CHARACTERISTICS: manual dimming, on/off, and color temperature (TM) adjustment via traditional control devices.

APPLICATIONS: control device compatible with DALI lighting fixtures, installable in recessed boxes.

Temperature control devices

Thermostats



GWC 20 808

Code	Colour	Supply voltage	Temperature adjustment	Output contacts	No. modules	Pack Carton
GWC 20 808	Glossy white	230 V ac - 50/60 Hz	From +5 °C to +35 °C	1NO/NC 8 A (AC1) 250 V ac	2	1/2
GWC 21 808	Satin black	230 V ac - 50/60 Hz	From +5 °C to +35 °C	1NO/NC 8 A (AC1) 250 V ac	2	1/2
GWC 22 808	Satin white	230 V ac - 50/60 Hz	From +5 °C to +35 °C	1NO/NC 8 A (AC1) 250 V ac	2	1/2

CHARACTERISTICS: choice of working mode by means of selector located on the front: summer (air-conditioner), OFF, winter (boiler). Front white LED to signal the output status (open/closed contact).

Connected thermostats - ZigBee



GWC 20 857

Code	Colour	Supply voltage	Output contacts	No. modules	Pack Carton
GWC 20 857	Glossy white	100 - 240 V ac/dc - 50/60 Hz	1NO/NC 5 A (AC1) 240 V ac	2	1/4
GWC 21 857	Satin black	100 - 240 V ac/dc - 50/60 Hz	1NO/NC 5 A (AC1) 240 V ac	2	1/4
GWC 22 857	Satin white	100 - 240 V ac/dc - 50/60 Hz	1NO/NC 5 A (AC1) 240 V ac	2	1/4

CHARACTERISTICS: flush-mounted thermostat for controlling heating/cooling systems with manual temperature management and shutdown option. Control algorithms for two-way systems: two points (ON/OFF), proportional-integral (PWM). The thermostat can control a solenoid valve for heating or cooling via local contact or ZigBee. In the case of ZigBee control, the solenoid valve must be controlled via one of the following connected actuators: ZigBee GWA1521, GWA1522, GWA1523, GWC2x859, GWA1301. The thermostat is equipped with integrated temperature and humidity sensors. The thermostat has an input for an NTC sensor (GW10800 NTC sensors can be used) to measure the outside temperature (e.g., to compensate for the temperature measured locally by the thermostat or for protection in the case of underfloor heating/cooling).

APPLICATIONS: climate control (heating or cooling) of a residential unit or area; possibility to manage a daily or weekly heating/cooling profile via app. The device measures humidity; if a threshold (which can be defined during configuration) is exceeded, a dehumidification system can be activated via ZigBee and the measurement can be displayed/notified on the app.

Use in traditional non-connected systems: the connected thermostat can also be used in traditional non-connected systems. In this case, it does not need to be configured via the app, and the NTC sensor input can only be used to compensate for the temperature measured locally by the thermostat.

Thermo ICE Wi-Fi thermostats - wall-mounting



GW 16 970 CB

Code	Colour	Supply voltage	Temperature adjustment	Output contacts	Pack Carton
GW 16 970 CB	White	110-230 V ac - 50/60 Hz	From +5 °C to +40 °C	2 NO 6 A (AC1) 240 V ac	1
GW 16 970 CN	Black	110-230 V ac - 50/60 Hz	From +5 °C to +40 °C	2 NO 6 A (AC1) 240 V ac	1

CHARACTERISTICS: wall-mounting thermostat to control heating/cooling and humidification/dehumidification systems and manage the temperature in manual mode or on 3 levels (comfort, pre-comfort, economy). Control algorithms for two-way systems: two points (ON/OFF), proportional integral (PWM). Includes 1 input for external NTC temperature sensor (e.g.: protection for floor mounting heating). Equipped with a user interface with touch controls (capacitive) on technopolymer plate and backlit display. The thermostat has built-in proximity, temperature and humidity sensors and a Wi-Fi interface for setting parameters and programming temperature profiles (timed thermostat function) locally or remotely via specific apps (smartphone and tablet).

APPLICATIONS: the THERMO ICE Wi-Fi can be used:

- as an independent intelligent thermostat (in a stand-alone way), i.e. without the need for a Smart Home system, in this case the configuration and control of the device takes place via the "ThermoICE 2.0" app; or
- integrated into the GeviSS "Connected Smart Home", in this case the device can interoperate with all the other devices of the "Connected Smart Home" system and is configured and controlled together with all the other functions of the system via the "Home Gateway" app.

NOTES: wall-mounting with wall-plugs or on 3-modules rectangular boxes (centre distance 83.5 mm), dimensions LxHxD (mm) 123.2x95.2x20.6. Plate material: technopolymer.

SIGNALLING

Anti black-out lamps



Extractable anti black-out lamp

Code	Supply voltage	Power supply batteries	Autonomy	Type of lamp	No. modules	Pack Carton
GWC 20 837	230 V ac - 50 Hz	Li-Fe	1 h	White LED	3	1/12

CHARACTERISTICS: SE/SA function. Replaceable batteries, battery pack 3.2 V 600 mAh.

GWC 20 833



Anti black-out lamps

Code	Colour	Supply voltage	Power supply batteries	Autonomy	Type of lamp	No. modules	Pack Carton
GWC 20 836	Glossy white	230 V ac - 50/60 Hz	Ni-Mh	1 h	White LED	1	1/14
GWC 21 836	Satin black	230 V ac - 50/60 Hz	Ni-Mh	1 h	White LED	1	1/14
GWC 22 836	Satin white	230 V ac - 50/60 Hz	Ni-Mh	1 h	White LED	1	1/14

CHARACTERISTICS: green LED for the presence of mains voltage signalling. Highly efficient, white LED lamp. Replaceable batteries, battery pack 4.8 V 40 mAh.

GWC 20 836

Acoustic signalling devices



Bells

Code	Colour	Supply voltage	Power input	Sound intensity	No. modules	Pack Carton
GWC 20 613	Glossy white	12 V ac - 50 Hz	8 VA	80 dB (at 1 m)	1	15/30
GWC 21 613	Satin black	12 V ac - 50 Hz	8 VA	80 dB (at 1 m)	1	15/30
GWC 22 613	Satin white	12 V ac - 50 Hz	8 VA	80 dB (at 1 m)	1	15/30
GWC 20 616	Glossy white	230 V ac - 50 Hz	8 VA	80 dB (at 1 m)	1	15/30
GWC 21 616	Satin black	230 V ac - 50 Hz	8 VA	80 dB (at 1 m)	1	15/30
GWC 22 616	Satin white	230 V ac - 50 Hz	8 VA	80 dB (at 1 m)	1	15/30

CHARACTERISTICS: for intermittent use (5 sec. ON / 15 sec. OFF).

GWC 20 613



Buzzers

Code	Colour	Supply voltage	Power input	Sound intensity	No. modules	Pack Carton
GWC 20 617	Glossy white	12 V ac - 50 Hz	8 VA	75 dB (at 1 m)	1	15/30
GWC 21 617	Satin black	12 V ac - 50 Hz	8 VA	75 dB (at 1 m)	1	15/30
GWC 22 617	Satin white	12 V ac - 50 Hz	8 VA	75 dB (at 1 m)	1	15/30
GWC 20 620	Glossy white	230 V ac - 50 Hz	8 VA	75 dB (at 1 m)	1	15/30
GWC 21 620	Satin black	230 V ac - 50 Hz	8 VA	75 dB (at 1 m)	1	15/30
GWC 22 620	Satin white	230 V ac - 50 Hz	8 VA	75 dB (at 1 m)	1	15/30

CHARACTERISTICS: for intermittent use (5 sec. ON / 15 sec. OFF).

GWC 20 617

Indicator light devices



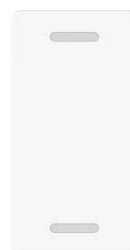
Single indicator lamps



Code	Colour	Diffuser colour	No. modules	Pack Carton
GWC 20 606	Glossy white	Opal diffuser	1	30/60
GWC 21 606	Satin black	Opal diffuser	1	30/60
GWC 22 606	Satin white	Opal diffuser	1	30/60

CHARACTERISTICS: LED signalling units not included.

GWC 20 606



Double indicator lamps



Code	Colour	Diffuser colour	No. modules	Pack Carton
GWC 20 607	Glossy white	Opal diffuser	1	15/30
GWC 21 607	Satin black	Opal diffuser	1	15/30
GWC 22 607	Satin white	Opal diffuser	1	15/30

CHARACTERISTICS: LED signalling units not included.

GWC 20 607



Protruding indicator lamps

Code	Colour	Supply voltage	Diffuser colour	No. modules	Pack Carton
GWC 20 627	Glossy white	12 V ac/dc - 230 V ac 50/60 Hz	Red	2	1/24
GWC 21 627	Satin black	12 V ac/dc - 230 V ac 50/60 Hz	Red	2	1/24
GWC 22 627	Satin white	12 V ac/dc - 230 V ac 50/60 Hz	Red	2	1/24
GWC 20 628	Glossy white	12 V ac/dc - 230 V ac 50/60 Hz	Green	2	1/24
GWC 21 628	Satin black	12 V ac/dc - 230 V ac 50/60 Hz	Green	2	1/24
GWC 22 628	Satin white	12 V ac/dc - 230 V ac 50/60 Hz	Green	2	1/24

CHARACTERISTICS: highly efficient white LED, powered at 12 V ac/dc - 230 V ac with double power supply inlet.
APPLICATIONS: suitable for special applications such as the signalling of calls from hospital wards.

GWC 20 627



Stair riser lamps

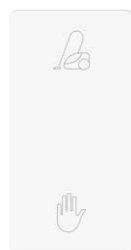
Code	Colour	Supply voltage	Diffuser colour	No. modules	Pack Carton
GWC 20 634	Glossy white	12 V ac/dc - 230 V ac 50/60 Hz	Opal diffuser	2	1/24
GWC 21 634	Satin black	12 V ac/dc - 230 V ac 50/60 Hz	Opal diffuser	2	1/24
GWC 22 634	Satin white	12 V ac/dc - 230 V ac 50/60 Hz	Opal diffuser	2	1/24

CHARACTERISTICS: highly efficient white LED, powered at 12 V ac/dc - 230 V ac with double power supply inlet.

GWC 20 634

SPECIAL APPLICATIONS

Components for hotel systems



Three-way switches 1P - 250 V ac



Code	Colour	Description	Button key	Symbol	Rated power of 230V LED lamps	No. modules	Pack Carton
GWC 20 651	Glossy white	1P - 10 AX	With symbol	DND+MUR	100 W	1	30/60
GWC 21 651	Satin black	1P - 10 AX	With symbol	DND+MUR	100 W	1	30/60
GWC 22 651	Satin white	1P - 10 AX	With symbol	DND+MUR	100 W	1	30/60

CHARACTERISTICS: three standing positions. Both contacts are open in the central position (OFF). With "Do not disturb" (DND) and "Make up the room" (MUR) pad printings.

GWC 20 651



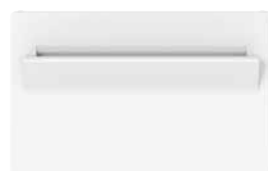
Double indicator lamps



Code	Colour	Diffuser colour	Symbol	No. modules	Pack Carton
GWC 20 656	Glossy white	Opal diffuser	DND+MUR	1	15/30
GWC 21 656	Satin black	Opal diffuser	DND+MUR	1	15/30
GWC 22 656	Satin white	Opal diffuser	DND+MUR	1	15/30

CHARACTERISTICS: LED signalling units not included.

GWC 20 656



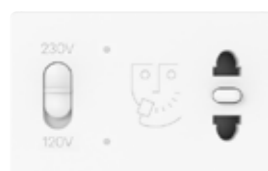
Universal badge switches with signalling unit - 250 V ac

Code	Colour	Description	For badge card max. width	Type	Rated power of 230V LED lamps	No. modules	Pack Carton
GWC 20 820	Glossy white	1P NO - 10 AX	54 mm	Backlit 230 V ac	100 W	3	1/6
GWC 21 820	Satin black	1P NO - 10 AX	54 mm	Backlit 230 V ac	100 W	3	1/6
GWC 22 820	Satin white	1P NO - 10 AX	54 mm	Backlit 230 V ac	100 W	3	1/6

CHARACTERISTICS: supplied without badge.

APPLICATIONS: activation of circuits and services in hotel rooms (e.g.: lights, air-conditioner, fridge-bar), indication of room occupied (with badge inserted).

GWC 20 820



European/American standard shaver sockets with insulation transformer

Code	Colour	Supply voltage	For plug pins	Selectable output voltage	Maximum power	No. modules	Pack Carton
GWC 20 841	Glossy white	230 V ac - 50/60 Hz	Ø 4 / 5 - 6.3x1.5 mm	120 - 230 V ac	20 VA	3	1/4
GWC 21 841	Satin black	230 V ac - 50/60 Hz	Ø 4 / 5 - 6.3x1.5 mm	120 - 230 V ac	20 VA	3	1/4
GWC 22 841	Satin white	230 V ac - 50/60 Hz	Ø 4 / 5 - 6.3x1.5 mm	120 - 230 V ac	20 VA	3	1/4

CHARACTERISTICS: the socket-outlet is equipped with a self-protection device against overloading. The output voltage should be selected correctly, consulting the rating of the user device before inserting the plug. The relevant indicator LED allows the chosen voltage to be clearly seen.

NOTES: not suitable for installation in wall-mounting containers of the 27 COMBI range.

GWC 20 841

ACCESSORIES

Spare parts and accessories



Signalling units - screwless

Code	Lamp voltage	Lamp power	Lamp	Light emitted	Pack Carton
GW 30 943	230 V ac	0.4 W	Fluorescent	Red	50
GW A1 806	110 / 230 V ac	0.3 W	LED	Blue	50
GW A1 807	110 / 230 V ac	0.4 W	LED	White	50
GW A1 817	12/24 V ac/dc	0.1 W	LED	White	50

GW A1 807



Signalling units LED with cables

Code	Lamp voltage	Lamp power	Lamp	Light emitted	Cable Colour	Pack Carton
GW A1 801	230 V ac - 50/60 Hz	0.3 W	LED	Blue	Blue	50
GW A1 802	230 V ac - 50/60 Hz	0.4 W	LED	White	White	50
GW A1 803	230 V ac - 50/60 Hz	0.2 W	LED	Red	Red	50
GW A1 804	230 V ac - 50/60 Hz	0.2 W	LED	Green	Green	50
GW A1 805	230 V ac - 50/60 Hz	0.5 W	LED	Amber	Orange	50
GW A1 816	12/24 V ac/dc	0.1 W	LED	White	White	50

NOTES: the LED signalling units are supplied with power supply cables (length 13 cm).

GW A1 802



Cartridge lamps

Code	Dimensions (mm)	Lamp voltage	Lamp power	Lamp	Light emitted	Pack Carton
GW 20 902	S6x36	12 V ac/dc	2 W	Incandescence	White	50
GW 20 903	S6x36	24 V ac/dc	3 W	Incandescence	White	50
GW 20 904	S6x31	12 V ac/dc	2 W	Incandescence	White	50
GW 20 905	S6x31	24 V ac/dc	2 W	Incandescence	White	50
GW 20 906	S6.3x28	110 / 230 V ac	0.4 W	Fluorescent	Red	50
GW 20 908	S6.3x28	110 / 230 V ac	0.4 W	Fluorescent	Green	50

NOTES: the cartridge lamps are mounted on the push-buttons with a name plate.

GW 20 902



Miniature fuses - 250 V ac

Code	Dimensions (mm)	Rated current (A)	Rated voltage	Pack Carton
GW 20 911	Ø 5 x 20	2.5	250 V ac	20/200
GW 20 921	Ø 6.3 x 32	2	250 V ac	10/200
GW 20 922	Ø 6.3 x 32	4	250 V ac	10/200
GW 20 923	Ø 6.3 x 32	6	250 V ac	10/200
GW 20 924	Ø 6.3 x 32	10	250 V ac	10/200
GW 20 925	Ø 6.3 x 32	16	250 V ac	10/200

GW 20 911



Set of 2 keys for command devices

Code	Suitable for	Pack Carton
GW 20 901	One-way switches - two-way switches	1/100
GW 30 912	Push-buttons	1/100

GW 20 901

Smart Home

SUPERVISION

Gateway

Home Gateway



Code	Colour	Supply voltage	No. modules	Pack Carton
GWC 20 856	Glossy white	100 ÷ 240 V ac - 50/60 Hz	2	1/2
GWC 21 856	Satin black	100 ÷ 240 V ac - 50/60 Hz	2	1/2
GWC 22 856	Satin white	100 ÷ 240 V ac - 50/60 Hz	2	1/2

CHARACTERISTICS: multi-protocol gateway equipped with ZigBee, Wi-Fi, and Bluetooth (BLE) interfaces.
APPLICATIONS: the device allows configuration, supervision, command, and control of the smart home system through the cloud. System functions are managed and data accessed via the Home Gateway app, available for smartphones and tablets. The system is configured via this device using the same app.
NOTES: internet connection is required for the system. The Bluetooth connection is only used during device configuration.

GWC 20 856

COMMAND DEVICES - ROCKER

Connected commands

Connected rocker two-way switch module - ZigBee



Code	Supply voltage	Output contacts	No. modules	Pack Carton
GW A1 301	100 ÷ 240 V ac - 50/60 Hz	1 NO/NC 2 A (AC1) 240 V ac	1	1/12

CHARACTERISTICS: device for controlling 1 load on/off via output contact with potential, with indicative measurements of power and energy consumed (measurements also transmitted via ZigBee). Suitable for controlling incandescent and halogen lamps (240Vac): 4-500W, LED lamps (240Vac): 4-100W, fluorescent lamps (240Vac): 4-120W, halogen lamps powered by electronic transformers (240Vac): 4-250VA. Local push button for controlling the lamp connected to the device.
 Equipped with 2 inputs to replicate the local control of the lamp or to send ZigBee commands and statuses by connecting auxiliary commands, traditional buttons and switches, sensors, etc. The device is equipped with an LED for night-time location or for displaying the status of the local load.
APPLICATIONS: timed on/off control of the lamp connected to the devices via a local button. The lamp can also be controlled via ZigBee from other devices connected to the network. Using the inputs, it is possible to add local lamp control points, ZigBee commands to other devices (on/off command, roller shutter and blind command, generic load command, scenarios) or send the status of the sensors to the ZigBee network.
NOTES: the device must be completed with an interchangeable illuminated front button (code GWC2x030 to GWC2x047).

GW A1 301

Connected rocker dimmer module - ZigBee



Code	Supply voltage	No. output channels	No. modules	Pack Carton
GW A1 321	100 ÷ 240 V ac - 50/60 Hz	1	1	1/12

CHARACTERISTICS: device for controlling 1 dimmable lighting fixture. Suitable for incandescent, halogen, LED, and fluorescent lamps (240Vac): 4-150W, halogen lamps powered by electronic transformers (240Vac): 4-150VA. Trailing edge load control mode. Local rocker push-button for dimming the lamp connected to the device. Equipped with 2 inputs for replicating the local control of the lamp or for sending ZigBee commands and statuses by connecting auxiliary commands, traditional buttons and switches, sensors, etc. The device is equipped with a configurable LED for night-time location or for displaying the status of the local load.
APPLICATIONS: control of the dimmable lamp connected to the devices via a local button. The lamp can also be controlled via ZigBee from other devices connected to the network. Using the inputs, it is possible to add local lamp control points, ZigBee commands to other devices (on/off and lamp dimming control, roller shutter and blind control, generic load control, scenarios) or send the status of the sensors to the ZigBee network.
NOTES: the device must be completed with an interchangeable illuminated front button (code GWC2x048 to GWC2x052).

GW A1 321

Connected rocker roller shutter module - ZigBee



Code	Supply voltage	Output contacts	No. modules	Pack Carton
GW A1 331	100 ÷ 240 V ac - 50/60 Hz	2,3 A 240 V ac (as IEC 60669-2-1)	1	1/12

CHARACTERISTICS: device for controlling a motor for moving roller shutters, curtains, blinds, etc., via 2 interlocked output contacts with potential. Local rocker push-button for controlling the motor connected to the device. Equipped with 2 inputs to replicate the local control of the motor or to send ZigBee commands and statuses by connecting auxiliary commands, traditional buttons and switches, sensors, etc. The device is equipped with an LED for night-time location and indication of motor movement in progress.
APPLICATIONS: control of 1 motor connected to the devices. The motor can also be controlled via ZigBee from other devices connected to the network (up/down control, scenarios). Using the inputs, it is possible to add control points for the local motor connected to the device, ZigBee commands to other actuators (on/off control and lamp dimming, roller shutter and blind control, generic load control, scenarios) or send the status of the sensors to the ZigBee network.
NOTES: the device must be completed with an interchangeable illuminated front button (code GWC2x048 to GWC2x052).

GW A1 331

Connected auxiliary modules

Connected 1-command rocker module - ZigBee



Code	Supply voltage	No. of channels	No. modules	Pack Carton
GW A1 361	100 ÷ 240 V ac - 50/60 Hz	1	1	1/12

CHARACTERISTICS: device for sending 1 ZigBee command.
 Equipped with 2 inputs (electronic buttons, traditional buttons and switches, sensors, etc.) for sending ZigBee commands and statuses. The device is equipped with an LED for nighttime location or for displaying the status of on/off controlled loads.
APPLICATIONS: sending 1 command via ZigBee (on/off command, roller shutter command, generic load command, scenarios). Using the inputs, it is possible to add ZigBee commands to other actuators (on/off command, roller shutter and blind command, generic load command, scenarios) or send the status of the sensors over the ZigBee network.
NOTES: the device must be completed with an interchangeable illuminated front button (code GWC2x030 to GWC2x047).

GW A1 361

Connected 2-command rocker module - ZigBee



Code	Supply voltage	No. of channels	No. modules	Pack Carton
GW A1 341	100 ÷ 240 V ac - 50/60 Hz	2	1	1/12

CHARACTERISTICS: device for sending 2 independent ZigBee commands.
 Equipped with 2 inputs (electronic buttons, traditional buttons and switches, sensors, etc.) for sending ZigBee commands and statuses. The device is equipped with an LED for night-time location or for displaying the status of on/off controlled loads.
APPLICATIONS: sending 2 commands via ZigBee (on/off command and lamp dimming, roller shutter command, generic load command, scenarios). Using the inputs, it is possible to add ZigBee commands to other actuators (on/off command and lamp dimming, roller shutter and blind command, generic load command, scenarios) or send the status of the sensors to the ZigBee network.
NOTES: the device must be completed with an interchangeable illuminated front button (code GWC2x048 to GWC2x052).

GW A1 341

Local auxiliary modules

1-command auxiliary rocker electronic module



Code	Type of contact	No. modules	Pack Carton
GW A1 351	1NO/NC 1 A (AC1) 240 V ac - Potential-free	1	1/12

CHARACTERISTICS: auxiliary device to be used in combination with ZigBee connected rocker controls.
APPLICATIONS: connected by wire to the local inputs of the connected controls, it allows the local load command to be replicated.
NOTES: the device must be completed with an interchangeable illuminated front button (code GWC2x030 to GWC2x047) and, if necessary, a front LED unit (e.g. GWA1802, GWA1807).

GW A1 351

2-command roller shutter modules



Code	Colour	Description	Button key	Symbol	No. modules	Pack Carton
GWC 20 521 L	Glossy white	1P NO+NO - 10 A	With interlock and symbol	UP - DOWN	1	30/60
GWC 21 521 L	Satin black	1P NO+NO - 10 A	With interlock and symbol	UP - DOWN	1	30/60
GWC 22 521 L	Satin white	1P NO+NO - 10 A	With interlock and symbol	UP - DOWN	1	30/60

CHARACTERISTICS: auxiliary device compatible with ZigBee-connected rocker commands.
NOTES: the device must not be completed with an interchangeable front button or LED signaling unit.

GWC 20 521 L

2-command dimmer modules



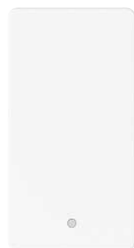
Code	Colour	Description	Button key	Symbol	No. modules	Pack Carton
GWC 20 652	Glossy white	1P NO+NO - 10 A	With interlock and symbol	Increase - Decrease	1	30/60
GWC 21 652	Satin black	1P NO+NO - 10 A	With interlock and symbol	Increase - Decrease	1	30/60
GWC 22 652	Satin white	1P NO+NO - 10 A	With interlock and symbol	Increase - Decrease	1	30/60

CHARACTERISTICS: auxiliary device compatible with ZigBee-connected rocker commands.
NOTES: the device must not be completed with an interchangeable front button or LED signaling unit.

GWC 20 652

Interchangeable button keys - illuminable

Interchangeable button keys - 1 command

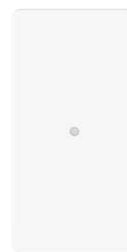


GWC 20 030



Code	Colour	Symbol	No. modules	Pack Carton
GWC 20 030	Glossy white	-	1	1/48
GWC 21 030	Satin black	-	1	1/48
GWC 22 030	Satin white	-	1	1/48
GWC 20 031	Glossy white	Water heater	1	1/48
GWC 21 031	Satin black	Water heater	1	1/48
GWC 22 031	Satin white	Water heater	1	1/48
GWC 20 032	Glossy white	Light	1	1/48
GWC 21 032	Satin black	Light	1	1/48
GWC 22 032	Satin white	Light	1	1/48
GWC 20 033	Glossy white	Ceiling light	1	1/48
GWC 21 033	Satin black	Ceiling light	1	1/48
GWC 22 033	Satin white	Ceiling light	1	1/48
GWC 20 034	Glossy white	Stair light	1	1/48
GWC 21 034	Satin black	Stair light	1	1/48
GWC 22 034	Satin white	Stair light	1	1/48
GWC 20 035	Glossy white	Floor light	1	1/48
GWC 21 035	Satin black	Floor light	1	1/48
GWC 22 035	Satin white	Floor light	1	1/48
GWC 20 036	Glossy white	Generic scenario	1	1/48
GWC 21 036	Satin black	Generic scenario	1	1/48
GWC 22 036	Satin white	Generic scenario	1	1/48
GWC 20 037	Glossy white	Good morning scenario	1	1/48
GWC 21 037	Satin black	Good morning scenario	1	1/48
GWC 22 037	Satin white	Good morning scenario	1	1/48
GWC 20 038	Glossy white	Goodnight scenario	1	1/48
GWC 21 038	Satin black	Goodnight scenario	1	1/48
GWC 22 038	Satin white	Goodnight scenario	1	1/48
GWC 20 039	Glossy white	Exit scenario	1	1/48
GWC 21 039	Satin black	Exit scenario	1	1/48
GWC 22 039	Satin white	Exit scenario	1	1/48
GWC 20 040	Glossy white	Entry scenario	1	1/48
GWC 21 040	Satin black	Entry scenario	1	1/48
GWC 22 040	Satin white	Entry scenario	1	1/48
GWC 20 041	Glossy white	Bell	1	1/48
GWC 21 041	Satin black	Bell	1	1/48
GWC 22 041	Satin white	Bell	1	1/48
GWC 20 042	Glossy white	OFF	1	1/48
GWC 21 042	Satin black	OFF	1	1/48
GWC 22 042	Satin white	OFF	1	1/48
GWC 20 043	Glossy white	ON	1	1/48
GWC 21 043	Satin black	ON	1	1/48
GWC 22 043	Satin white	ON	1	1/48
GWC 20 044	Glossy white	ON OFF	1	1/48
GWC 21 044	Satin black	ON OFF	1	1/48
GWC 22 044	Satin white	ON OFF	1	1/48
GWC 20 045	Glossy white	Key	1	1/48
GWC 21 045	Satin black	Key	1	1/48
GWC 22 045	Satin white	Key	1	1/48
GWC 20 046	Glossy white	Dimmers	1	1/48
GWC 21 046	Satin black	Dimmers	1	1/48
GWC 22 046	Satin white	Dimmers	1	1/48
GWC 20 047	Glossy white	Socket-outlet	1	1/48
GWC 21 047	Satin black	Socket-outlet	1	1/48
GWC 22 047	Satin white	Socket-outlet	1	1/48

NOTES: to be used to complete commands GWA1301, GWA1351, and GWA1361.



GWC 20 050

Interchangeable button keys - 2 commands



Code	Colour	Symbol	No. modules	Pack Carton
GWC 20 048	Glossy white	UP - DOWN	1	1/48
GWC 21 048	Satin black	UP - DOWN	1	1/48
GWC 22 048	Satin white	UP - DOWN	1	1/48
GWC 20 049	Glossy white	Increase - Decrease	1	1/48
GWC 21 049	Satin black	Increase - Decrease	1	1/48
GWC 22 049	Satin white	Increase - Decrease	1	1/48
GWC 20 050	Glossy white	-	1	1/48
GWC 21 050	Satin black	-	1	1/48
GWC 22 050	Satin white	-	1	1/48
GWC 20 051	Glossy white	Entrance - exit	1	1/48
GWC 21 051	Satin black	Entrance - exit	1	1/48
GWC 22 051	Satin white	Entrance - exit	1	1/48
GWC 20 052	Glossy white	Generic double scenario	1	1/48
GWC 21 052	Satin black	Generic double scenario	1	1/48
GWC 22 052	Satin white	Generic double scenario	1	1/48

NOTES: to be used to complete commands GWA1321, GWA1331, GWA1341.

RECESSED COMMAND DEVICES

Recessed contact interfaces



GW A1 501

2-channel connected contact interfaces - ZigBee

Code	Supply voltage	No. input channels	Input voltage	Max cable length	Dimensions LxHxD (mm)	Pack Carton
GW A1 501	Battery powered	2	Potential-free	15 m	42x40x20	1/4
GW A1 502	230 V ac - 50 Hz	2	230 V ac	-	42x40x20	1/4

CHARACTERISTICS: interfaces for connecting 2 independent input contacts (auxiliary controls, traditional buttons and switches, sensors, etc.) without potential (GWA1501) or under voltage (GWA1502). GWA1501 powered by CR2032 battery (replaceable).

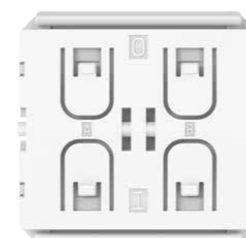
APPLICATIONS: allow the sending of on-off and timed commands, the motorization of roller shutters/blinds, dimming, the activation of scenarios, and the signaling of the current status of the load.

NOTES: installation in flush-mounted boxes, junction boxes, or snap-in System Pura GWC2x059 blanking modules.

Available while stocks last.

ECO PUSH-BUTTON PANEL MODULE

Connected ECO push-button panel module



GW A1 391

Connected 4 commands ECO push-button panel - ZigBee - flush and surface mounting

Code	Supply voltage	No. modules	No. of channels	Pack Carton
GW A1 391	None	2	4	1/16

CHARACTERISTICS: device for sending 4 independent ZigBee commands by pressing the 4 local buttons.

The device does not require a power supply (either mains or battery).

APPLICATIONS: sending 4 ZigBee commands (on/off and lamp dimming commands, roller shutter commands, generic load commands, scenarios) using the local buttons.

NOTES: the push-button panel must be completed with front buttons: with 2 GWC2x080 1-module or with 1 GWC2x081 2-modules.

The push-button panel cannot be used to control the following actuators: GWA1521, GWA1522, GWA1523, GWA1526, GWA1531 and the local relay of the GWA1916.

EQUIPMENT: base and fixing kit (screws, plugs, and double-sided adhesive strips) for wall or flush mounting on System Pura supports.

Interchangeable button keys for ECO push-button panel module



Code	Colour	No. modules	Pack Carton
GWC 20 080	Glossy white	1	2/48
GWC 21 080	Satin black	1	2/48
GWC 22 080	Satin white	1	2/48
GWC 20 081	Glossy white	2	1/48
GWC 21 081	Satin black	2	1/48
GWC 22 081	Satin white	2	1/48

NOTES: to be used to complete the connected ECO push-button panel module ZigBee GWA1391.



GWC 20 080

THERMOREGULATION

Connected thermostats

Thermo ICE Wi-Fi thermostats - wall-mounting



GW 16 970 CB

Code	Colour	Supply voltage	Temperature adjustment	Output contacts	Pack Carton
GW 16 970 CB	White	110-230 V ac - 50/60 Hz	From +5 °C to +40 °C	2 NO 6 A (AC1) 240 V ac	1
GW 16 970 CL	Natural beige	110-230 V ac - 50/60 Hz	From +5 °C to +40 °C	2 NO 6 A (AC1) 240 V ac	1
GW 16 970 CN	Black	110-230 V ac - 50/60 Hz	From +5 °C to +40 °C	2 NO 6 A (AC1) 240 V ac	1
GW 16 970 CT	Titanium	110-230 V ac - 50/60 Hz	From +5 °C to +40 °C	2 NO 6 A (AC1) 240 V ac	1

CHARACTERISTICS: wall-mounting thermostat to control heating/cooling and humidification/dehumidification systems and manage the temperature in manual mode or on 3 levels (comfort, pre-comfort, economy). Control algorithms for two-way systems: two points (ON/OFF), proportional integral (PWM). Includes 1 input for external NTC temperature sensor (e.g.: protection for flood mounting heating). Equipped with a user interface with touch controls (capacitive) on technopolymer plate and backlit display. The thermostat has built-in proximity, temperature and humidity sensors and a Wi-Fi interface for setting parameters and programming temperature profiles (timed thermostat function) locally or remotely via specific apps (smartphone and tablet).

APPLICATIONS: the THERMO ICE Wi-Fi can be used:

- as an independent intelligent thermostat (in a stand-alone way), i.e. without the need for a Smart Home system, in this case the configuration and control of the device takes place via the "ThermoICE 2.0" app; or
- integrated into the GeviSS "Connected Smart Home", in this case the device can interoperate with all the other devices of the "Connected Smart Home" system and is configured and controlled together with all the other functions of the system via the "Home Gateway" app.

NOTES: wall-mounting with wall-plugs or on 3-modules rectangular boxes (centre distance 83.5mm), dimensions LxHxD (mm) 123.2x95.2x20.6. Plate material: technopolymer.

Connected thermostats - ZigBee



GWC 20 857

Code	Colour	Supply voltage	Output contacts	No. modules	Pack Carton
GWC 20 857	Glossy white	100 - 240 V ac/dc - 50/60 Hz	1NO/NC 5 A (AC1) 240 V ac	2	1/4
GWC 21 857	Satin black	100 - 240 V ac/dc - 50/60 Hz	1NO/NC 5 A (AC1) 240 V ac	2	1/4
GWC 22 857	Satin white	100 - 240 V ac/dc - 50/60 Hz	1NO/NC 5 A (AC1) 240 V ac	2	1/4

CHARACTERISTICS: flush-mounted thermostat for controlling heating/cooling systems with manual temperature management and shutdown option. Control algorithms for two-way systems: two points (ON/OFF), proportional-integral (PWM). The thermostat can control a solenoid valve for heating or cooling via local contact or ZigBee. In the case of ZigBee control, the solenoid valve must be controlled via one of the following connected actuators: ZigBee GWA1521, GWA1522, GWA1523, GWC2x859, GWA1301. The thermostat is equipped with integrated temperature and humidity sensors. The thermostat has an input for an NTC sensor (GW10800 NTC sensors can be used) to measure the outside temperature (e.g., to compensate for the temperature measured locally by the thermostat or for protection in the case of underfloor heating/cooling).

APPLICATIONS: climate control (heating or cooling) of a residential unit or area; possibility to manage a daily or weekly heating/cooling profile via app. The device measures humidity; if a threshold (which can be defined during configuration) is exceeded, a dehumidification system can be activated via ZigBee and the measurement can be displayed/notified on the app.

Use in traditional non-connected systems: the connected thermostat can also be used in traditional non-connected systems. In this case, it does not need to be configured via the app, and the NTC sensor input can only be used to compensate for the temperature measured locally by the thermostat.

LOADS MANAGEMENT

Connected energy meter - recessed mounting



GW A1 918

Connected energy meter with load control - ZigBee

Code	Supply voltage	Measurement	Dimensions LxHxD (mm)	Pack Carton
GW A1 918	100 ÷ 240 V ac - 50/60 Hz	Via A.T.	40x40x20	1/4

CHARACTERISTICS: measurement: single-phase voltage 100-240Vac 50/60 Hz, max current 70A min 0.05A. The device measures power consumption and energy consumption (transmits measurements) and implements the load control function (max. 10 controllable loads) in accordance with EN 61010-1 and EN 61010-2-030 standards.

APPLICATIONS: measurement and monitoring of electricity consumption (power and energy consumed) of a residential unit or building area. Load control function: automatically disconnects electrical loads to prevent the electricity meter from tripping when the contractual threshold is exceeded, thus avoiding service interruptions for the user; the sequence of disconnection and reconnection of loads can be set during configuration via the app, by priority or according to absorption; the loads to be controlled must be controlled by ZigBee-connected actuators: GWC2x859, GWA1301, GWA1321, GWA1521, GWA1522, GWA1523.

NOTES: installation of the module in flush-mounted boxes, junction boxes, or switchboards; can be installed in System Pura supports using GWC2x059 blanking modules, can be installed on a DIN rail using GW26409 DIN rail support + GWC2x059 blanking modules. A.T. supplied in the package.

Load management relay



GW A1 916

Connected P-Comfort load management relay - DIN rail mounting - ZigBee

Code	Rated voltage (V)	Rated current	Type relay contact	Capacity relay contact	No. of modules EN 50022	Pack Carton
GW A1 916	230 V ac	32 A	Changeover (potential free contact)	16 A (AC1) 250 V ac	2	1/6

APPLICATIONS: the P-Comfort relay can be installed in electrical systems with a contracted power of up to 6 kW. In the event of an overload due to the simultaneous activation of multiple electrical loads, P-Comfort prevents the power from being cut off by disconnecting non-preferential loads controlled by connected ZigBee actuators: GWC2x859, GWA1301, GWA1321, GWA1521, GWA1522, GWA1523 or connected by wire to the relay contact on board the device (max. 10 devices in total). The sequence of disconnection and reconnection of non-preferential loads can be set by priority (regardless of load absorption) or by power (based on power consumption).

NOTES: the connected ZigBee GWC2x859, GWA1301, GWA1321 actuators can only be controlled in combination with the GWC2x856.

Available while stocks last.

ACTUATORS

Connected actuators for generic loads



GWC 20 859

Connected 1-channel on/off actuators with power meter - ZigBee

Code	Colour	Supply voltage	No. output channels	Output contacts	No. modules	Pack Carton
GWC 20 859	Glossy white	100 ÷ 240 V ac - 50/60 Hz	1	1 NO 16 A (AC1) 240 V ac	1	1/12
GWC 21 859	Satin black	100 ÷ 240 V ac - 50/60 Hz	1	1 NO 16 A (AC1) 240 V ac	1	1/12
GWC 22 859	Satin white	100 ÷ 240 V ac - 50/60 Hz	1	1 NO 16 A (AC1) 240 V ac	1	1/12

CHARACTERISTICS: 1-channel actuator for controlling loads with NO output contact under voltage and with measurement of power consumption and energy consumption (both measurements transmitted via ZigBee). Local button and LED for controlling and displaying the load status. Controllable loads: incandescent and halogen lamps (240Vac); 1920W, LED lamps (240Vac); 200W, fluorescent lamps (240Vac); 200W, halogen lamps powered by electronic transformers (240Vac); 500VA. Generic loads (up to 16A).

Equipped with 1 input (electronic buttons, traditional buttons and switches, sensors, etc.) to replicate local load control or to send ZigBee commands and statuses.

APPLICATIONS: on/off and timed control of the load connected to the devices via a local button. The load can also be controlled via ZigBee from other devices connected to the network. Using the input, it is possible to add local lamp control points, ZigBee commands to other devices (on/off command, generic load command, scenarios) or send the status of the sensors to the ZigBee network.

Automatic load disconnection function: devices can be configured to disconnect the local load when a consumption (power) threshold defined during configuration is exceeded.

Recessed actuators



GW A1 521

Connected 1-channel actuator - ZigBee

Code	Supply voltage	No. output channels	Output contacts	Dimensions LxHxD (mm)	Pack Carton
GW A1 521	230 V ac - 50 Hz	1	1 NO 10 A (AC1) 230 V ac	42x40x20	1/4

CHARACTERISTICS: 1-channel actuator for controlling loads with NO output contact under voltage and with measurement of power consumption and energy consumption (both measurements transmitted via ZigBee). Local button and LED for controlling and displaying the load status. Controllable loads: incandescent and halogen lamps (240Vac); 1920W, LED lamps (240Vac); 200W, fluorescent lamps (240Vac); 200W, halogen lamps powered by electronic transformers (240Vac); 500VA. Generic loads (up to 16A).

Equipped with 1 input (electronic buttons, traditional buttons and switches, sensors, etc.) to replicate local load control or to send ZigBee commands and statuses.

APPLICATIONS: on/off and timed control of the load connected to the devices via a local button. The load can also be controlled via ZigBee from other devices connected to the network. Using the input, it is possible to add local lamp control points, ZigBee commands to other devices (on/off command, generic load command, scenarios) or send the status of the sensors to the ZigBee network.

Automatic load disconnection function: devices can be configured to disconnect the local load when a consumption (power) threshold defined during configuration is exceeded.

NOTES: installation in flush-mounted boxes, junction boxes or snap-in boxes in System Pura GWC2x059 blanking modules.

Available while stocks last.



GW A1 522

Connected 2-channel on/off actuator - ZigBee

Code	Supply voltage	No. output channels	Output contacts	Dimensions LxHxD (mm)	Pack Carton
GW A1 522	230 V ac - 50 Hz	2	2 NO 6 A (AC1) 230 V ac	42x40x20	1/4

CHARACTERISTICS: 1-channel actuator for activating loads via a potential-free output contact (NO). Suitable for controlling incandescent lamps (230Vac); 2300W, loads driven by toroidal transformers: 450W, loads driven by electronic transformers: 600W, fluorescent lamps: 150W, LED lamps (230Vac): 150W, motors: 500W. Equipped with 1 input for local control of the output.

APPLICATIONS: execution of on-off commands, timed commands, priority commands, and scenario management. When used in combination with the ZigBee GWA1514 water sensor, install a NO button for manual opening of the solenoid valve.

NOTES: installation in flush-mounted boxes, junction boxes or snap-in boxes in System Pura GWC2x059 blanking modules.

Available while stocks last.



GW A1 523

Connected 1-channel on/off actuator with power meter - ZigBee

Code	Supply voltage	No. output channels	Output contacts	Dimensions LxHxD (mm)	Pack Carton
GW A1 523	230 V ac - 50 Hz	1	1 NO 10 A (AC1) 230 V ac	42x40x20	1/4

CHARACTERISTICS: 1-channel actuator for activating loads via an output contact (NO) with 230V potential and instantaneous power measurement. Suitable for controlling incandescent lamps (230Vac); 2300W, loads driven by toroidal transformers: 450W, loads driven by electronic transformers: 600W, fluorescent lamps: 150W, LED lamps (230Vac): 150W, motors: 500W. Equipped with 1 input for local control of the output.

APPLICATIONS: execution of on-off commands, timed commands, priority commands, scenario management, and instantaneous consumption measurement (instantaneous power).

NOTES: installation in flush-mounted boxes, junction boxes or snap-in boxes in System Pura GWC2x059 blanking modules.

Available while stocks last.



GW A1 531

Connected 1-channel actuator for roller shutters - ZigBee

Code	Supply voltage	Max current supplied	Max power motor	Dimensions LxHxD (mm)	Pack Carton
GW A1 531	230 V ac - 50 Hz	6A-230 V ac (compl. 60669-2-1)	500 W	42x40x20	1/4

CHARACTERISTICS: 1-channel actuator for activating a motor to move roller shutters, curtains, blinds, etc. via 2 interlocked output contacts with 230Vac potential. Suitable for controlling motors: 500W. Equipped with 2 inputs for local control of outputs.

APPLICATIONS: execution of movement/adjustment/stop commands, priority commands, scenario management, and alarm signaling.

NOTES: installation in flush-mounted boxes, junction boxes or snap-in boxes in System Pura GWC2x059 blanking modules.

Available while stocks last.

SENSORS

Connected movement sensors



GWC 20 858

Connected movement sensor - ZigBee

Code	Colour	Max range	Light sensor	Supply voltage	Output contacts	No. modules	Pack Carton
GWC 20 858	Glossy white	8 m	1 - 1000 lux	100 ÷ 240 V ac - 50/60 Hz	2 A (AC1) 240 V ac	1	1/12
GWC 21 858	Satin black	8 m	1 - 1000 lux	100 ÷ 240 V ac - 50/60 Hz	2 A (AC1) 240 V ac	1	1/12
GWC 22 858	Satin white	8 m	1 - 1000 lux	100 ÷ 240 V ac - 50/60 Hz	2 A (AC1) 240 V ac	1	1/12

CHARACTERISTICS: motion sensor with detection conditioned to the set brightness threshold value. Fixed lens. Parameters that can be set during configuration via the app: brightness threshold value, switch-off time after presence detection. Local contact under voltage for direct load control, connectable loads: incandescent and halogen lamps (240Vac); 500W, LED lamps (240Vac); 100W, fluorescent lamps (240Vac); 120W, halogen lamps powered by electronic transformers (240Vac); 250VA. Equipped with 2 inputs (electronic buttons, traditional buttons and switches, sensors, etc.) to replicate the direct control of the lamp/load connected to the local relay or to send ZigBee commands and statuses. The device is equipped with an LED to signal motion detection (regardless of the brightness threshold).

APPLICATIONS: the devices detect the movement of people and send the signal via ZigBee to activate lamps and/or loads. Energy saving: control of lighting in rooms or areas of interest only when people pass by/are present.

NOTES: do not install the product in watertight plates: the cover membrane prevents the detector lens from functioning correctly.



GW A1 511

Connected movement sensors - battery powered - ZigBee

Code	Max range	Light sensor	Temperature sensor	Colour	Dimensions LxHxD (mm)	Pack Carton
GW A1 511	6 m	3...70.000 lux	0...50 °C	White	82x82x28	1/2
GW A1 511 A	9 m	3...70.000 lux	0...50 °C	White	71x71x21	1

CHARACTERISTICS: motion sensors with horizontal detection angle: ±45° and vertical detection angle: ±45°. They include a brightness sensor and a temperature sensor. GWA1511A: AA battery power supply (x2);

GWA1511: CR123 battery power supply (replaceable).

NOTES: wall or shelf installation using the accessories provided. To control actuators, use the sensors in combination with the connected ZigBee actuators GWC2x859, GWA1301, GWA1321 (max. 5 sensors per actuator) or the ZigBee actuators GWA1521, GWA1522, GWA1523 (max. 1 sensor per actuator). The connected ZigBee actuators GWC2x859, GWA1301, GWA1321 can only be controlled in combination with the GWC2x856 Home Gateway.

Available while stocks last.



GW A1 512

Connected smoke sensor - battery powered - ZigBee

Code	Siren output	Temperature sensor	Colour	Dimensions (mm)	Pack Carton
GW A1 512	85 dB/3 m	0...50 °C	White	Ø 65x40	1/3

CHARACTERISTICS: the sensor detects the presence of smoke and includes a temperature sensor. CR123 battery power supply (replaceable).

NOTES: wall or ceiling installation. To activate a solenoid valve, use the sensor in combination with the connected ZigBee actuators GWC2x859, GWA1301 (max. 5 sensors per actuator if the actuator is configured for automatic solenoid valve reset, unlimited sensors for manual reset) or the ZigBee actuators GWA1521, GWA1522, GWA1523 (max. 1 sensor per actuator if the actuator is configured for automatic solenoid valve reset, unlimited sensors for manual reset). The connected ZigBee actuators GWC2x859 and GWA1301 can only be controlled in combination with the GWC2x856 Home Gateway.



GW A1 513

Connected window sensor - battery powered - ZigBee

Code	Sensor type	Temperature sensor	Material	Colour	Dimensions LxHxD (mm)	Pack Carton
GW A1 513	Magnetic	0...50 °C	Plastic	White	76x26x17	1/4

CHARACTERISTICS: the sensor detects the opening and closing of doors and windows and includes a temperature sensor. Powered by 2 AAA batteries (replaceable).

NOTES: installation on doors or windows. To control actuators, use the sensor in combination with the connected ZigBee actuators GWC2x859, GWA1301 (max. 5 sensors per actuator) or the ZigBee actuators GWA1521, GWA1522, GWA1523 (max. 1 sensor per actuator). The connected ZigBee actuators GWC2x859 and GWA1301 can only be controlled in combination with the Home Gateway GWC2x856.



GW A1 514

Connected flood sensor - battery powered - ZigBee

Code	Siren output	Temperature sensor	Colour	Dimensions (mm)	Pack Carton
GW A1 514	85 dB/3 m	0...50 °C	White	Ø 60x37	1/3

CHARACTERISTICS: the sensor detects the presence of water and includes a temperature sensor. CR123 battery power supply (replaceable).
NOTES: floor installation or, alternatively, wall mounting using accessory GWA1541.
 To activate a solenoid valve, use the sensor in combination with the connected ZigBee actuators GWC2x859, GWA1301 (max. 5 sensors per actuator if the actuator is configured for automatic solenoid valve reset, unlimited sensors for manual reset) or the ZigBee actuators GWA1521, GWA1522, GWA1523 (max. 1 sensor per actuator if the actuator is configured for automatic solenoid valve reset, unlimited sensors for manual reset). The connected ZigBee actuators GWC2x859 and GWA1301 can only be controlled in combination with the GWC2x856 Home Gateway.



GW A1 541

Wall-mounting support for flood sensor

Code	Colour	Support dimension (mm)	Dimensions of probe (mm)	Cable max. length (cm)	Pack Carton
GW A1 541	White	Ø72x25	Ø50x8	85	1/4

APPLICATIONS: to be used for wall mounting the ZigBee GWA1514 water leakage sensor.

ACCESSORIES

Blanking modules



GWC 20 059

Blanking modules for housing ZigBee contact interfaces and actuators



Code	Colour	Symbol	No. modules	Pack Carton
GWC 20 059	Glossy white	Radio frequency	1	1/12
GWC 21 059	Satin black	Radio frequency	1	1/12
GWC 22 059	Satin white	Radio frequency	1	1/12

CHARACTERISTICS: 1-module cover with pad printing. Allows for the housing and quick identification of ZigBee devices.
NOTES: snap-fit coupling.



GWC 20 060

Blanking modules for housing KNX contact interfaces



Code	Colour	Symbol	No. modules	Pack Carton
GWC 20 060	Glossy white	Logo KNX	1	5/200
GWC 21 060	Satin black	Logo KNX	1	5/200
GWC 22 060	Satin white	Logo KNX	1	5/200

CHARACTERISTICS: 1-module cover with pad printing. Allows for the housing and quick identification of KNX devices.
NOTES: snap-fit coupling.

Supports



GW 26 409

Supports for assembling devices on DIN rail

Code	Description	No. of modules EN 50022	Pack Carton
GW 26 409	1 module	1.5	5/300
GW 26 410	2 modules	3	5/150

Signalling units LED



GW A1 802

Signalling units LED with cables

Code	Lamp voltage	Lamp power	Lamp	Light emitted	Cable Colour	Pack Carton
GW A1 801	230 V ac - 50/60 Hz	0.3 W	LED	Blue	Blue	50
GW A1 802	230 V ac - 50/60 Hz	0.4 W	LED	White	White	50
GW A1 803	230 V ac - 50/60 Hz	0.2 W	LED	Red	Red	50
GW A1 804	230 V ac - 50/60 Hz	0.2 W	LED	Green	Green	50
GW A1 805	230 V ac - 50/60 Hz	0.5 W	LED	Amber	Orange	50
GW A1 816	12/24 V ac/dc	0.1 W	LED	White	White	50

NOTES: the LED signalling units are supplied with power supply cables (length 13 cm).



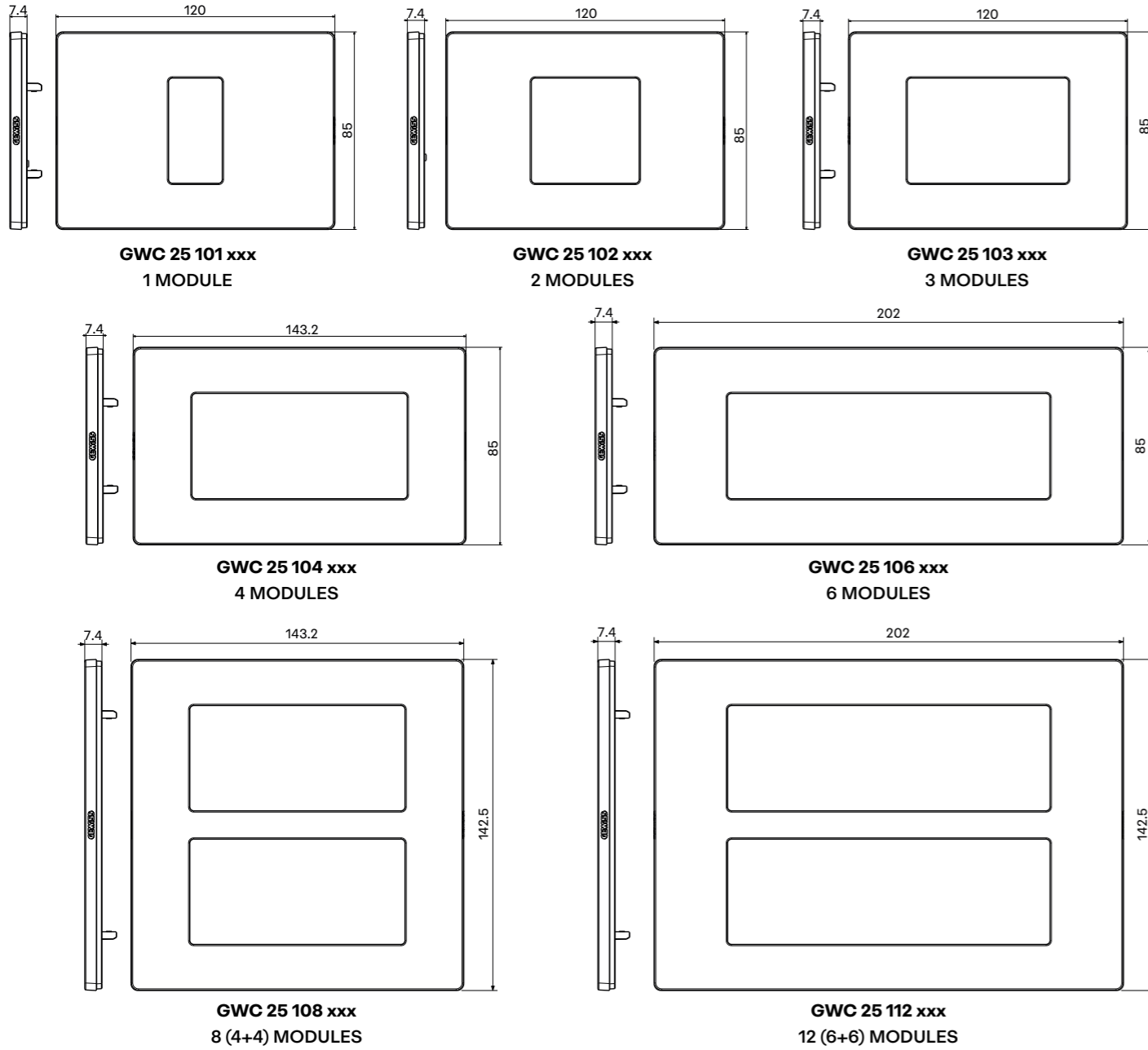
GW A1 807

Signalling units LED - screwless

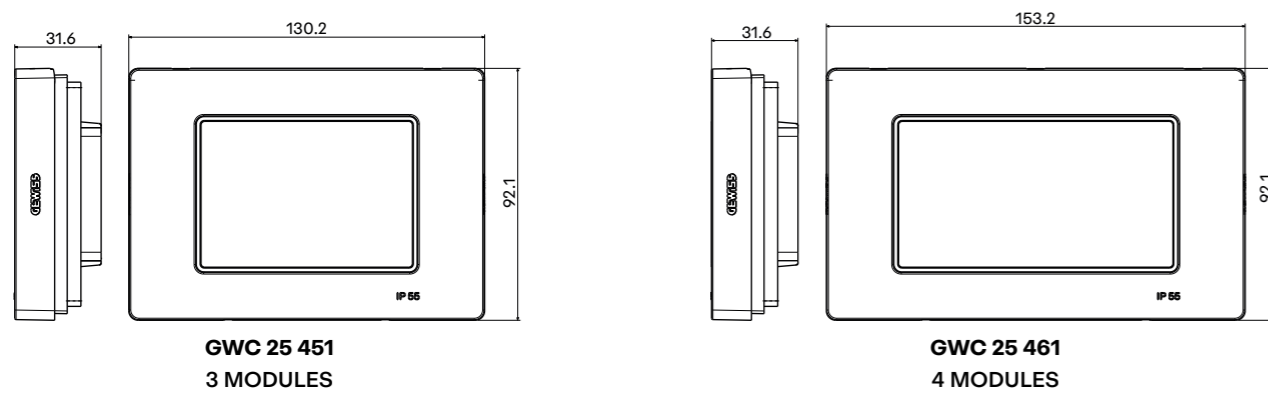
Code	Lamp voltage	Lamp power	Lamp	Light emitted	Pack Carton
GW A1 806	110 / 230 V ac	0.3 W	LED	Blue	50
GW A1 807	110 / 230 V ac	0.4 W	LED	White	50
GW A1 817	12/24 V ac/dc	0.1 W	LED	White	50

12 Dimension tables

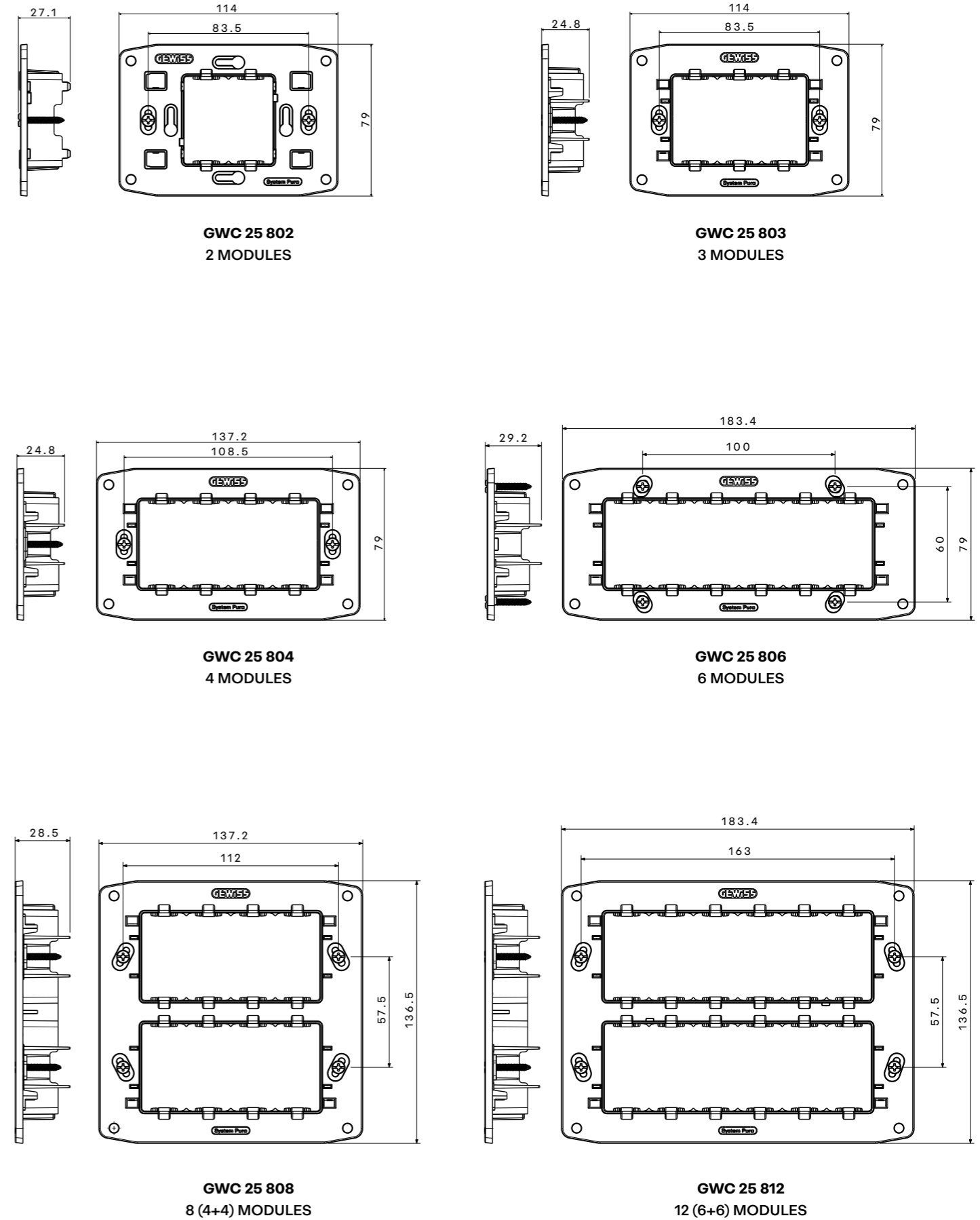
Plates



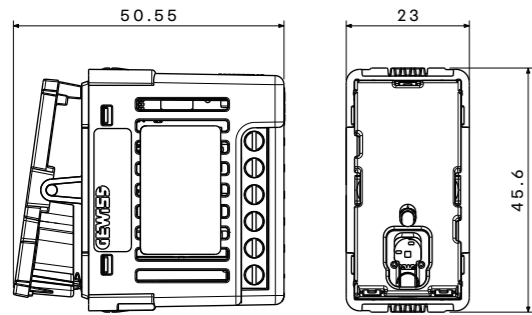
Watertight plates



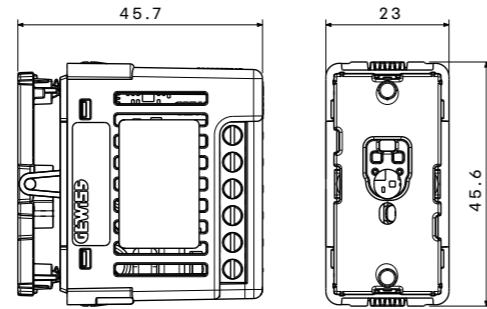
Supports



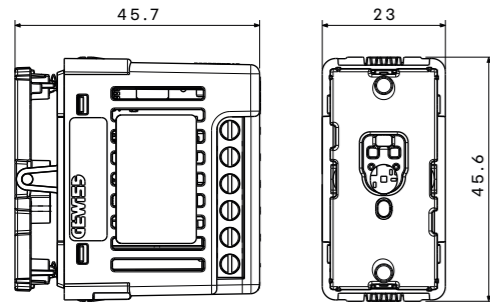
Rocker control devices



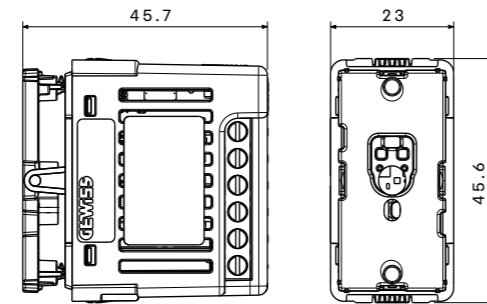
GW A1 301
Connected two-way switch module
GW A1 361
Connected 1-command module



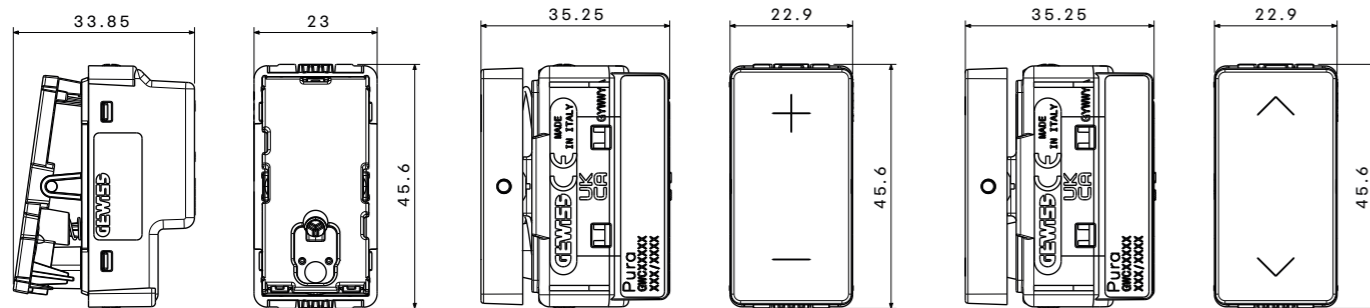
GW A1 321
Connected dimmer module



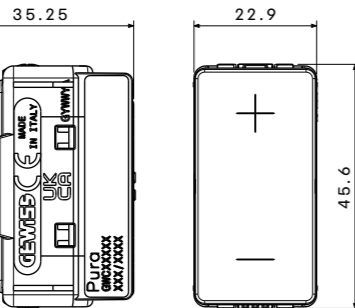
GW A1 331
Connected roller shutter module



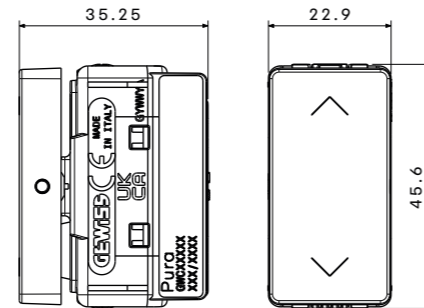
GW A1 341
Connected 2-command module



GW A1 351
Auxiliary module
1 command

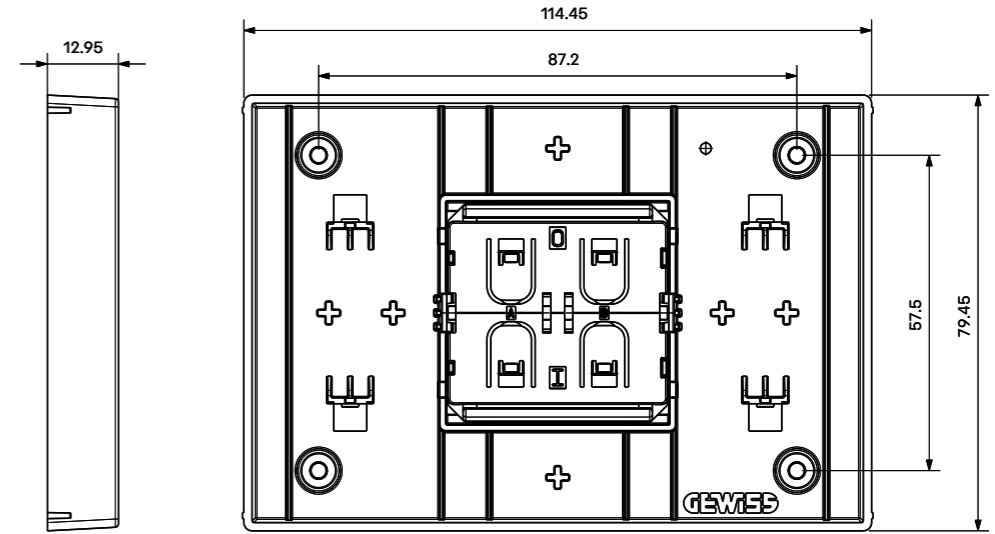


GWC 20 652 - GWC 21 652 - GWC 22 652
Auxiliary modules
2-command dimmer



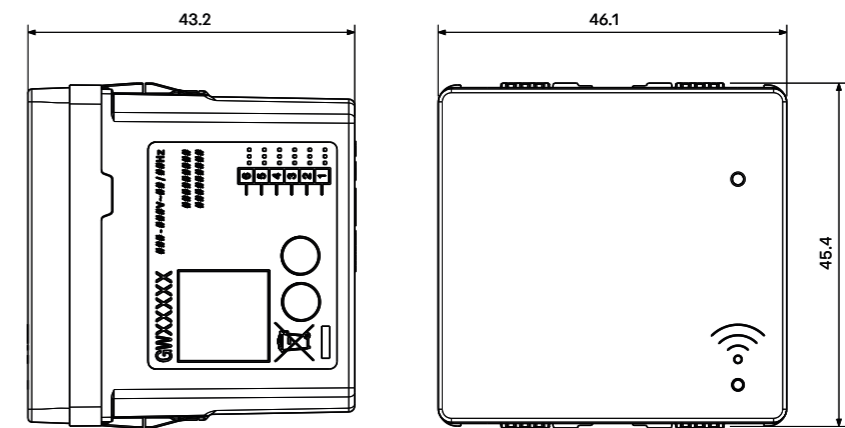
GWC 20 521 L - GWC 21 521 L - GWC 22 521 L
Auxiliary modules
2-command shutters

Battery-free control devices



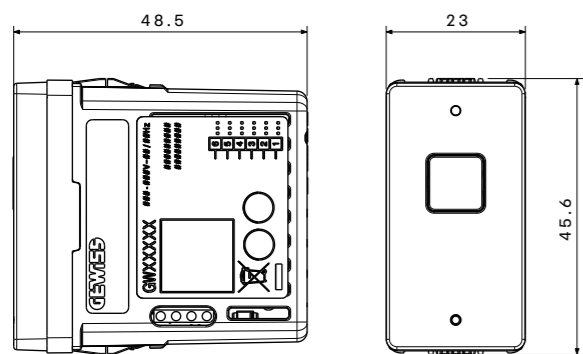
GW A1 391
Connected ECO push-button panel

Home Gateway



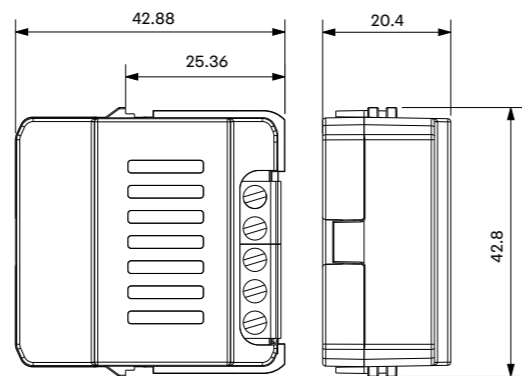
GWC 20 856 - GWC 21 856 - GWC 22 856
Home Gateway

Actuators



GWC 20 859 - GWC 21 859 - GWC 22 859
Connected 1-channel on/off actuators

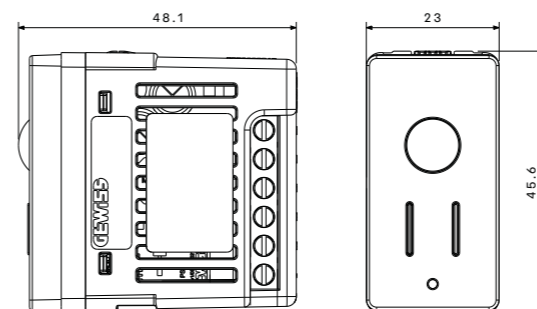
Loads management



GW A1 918
Connected energy meter

Sensors

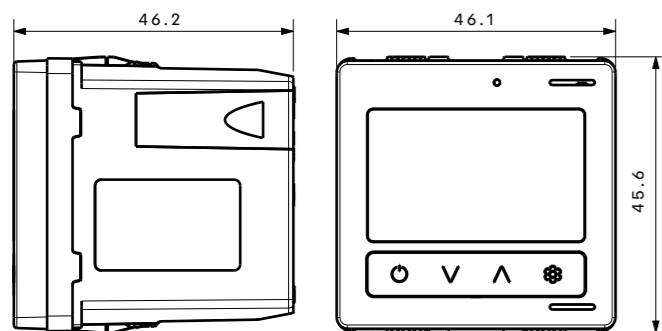
FLUSH-MOUNTING



GWC 20 858 - GWC 21 858 - GWC 22 858
Connected motion sensors

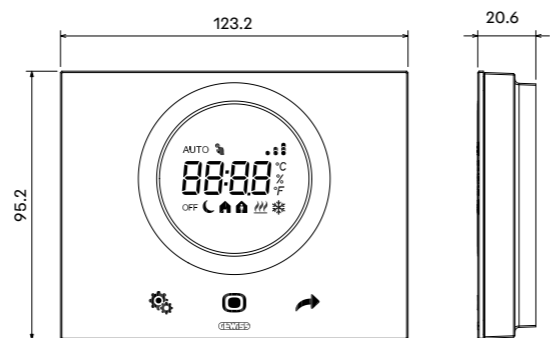
Temperature control

FLUSH-MOUNTING



GWC 20 857 - GWC 21 857 - GWC 22 857
Connected thermostats

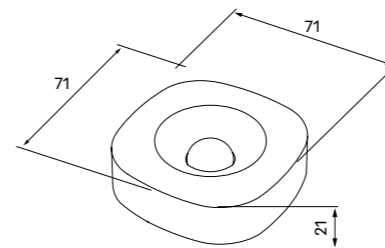
WALL-MOUNTING



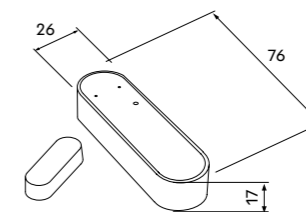
GW 16 970 CB - GW 16 970 CL - GW 16 970 CN - GW 16 970 CT
Thermo ICE Wi-Fi

Sensors

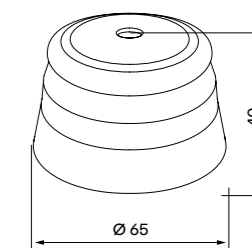
WALL-MOUNTING



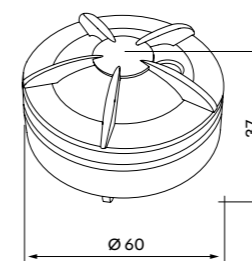
GW A1 511 / GW A1 511 A
Motion sensors



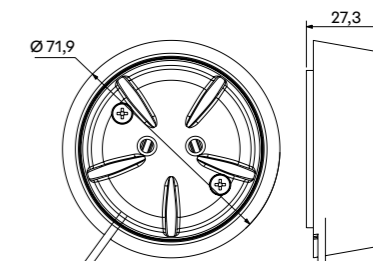
GW A1 513
Door and window sensor



GW A1 512
Smoke sensor

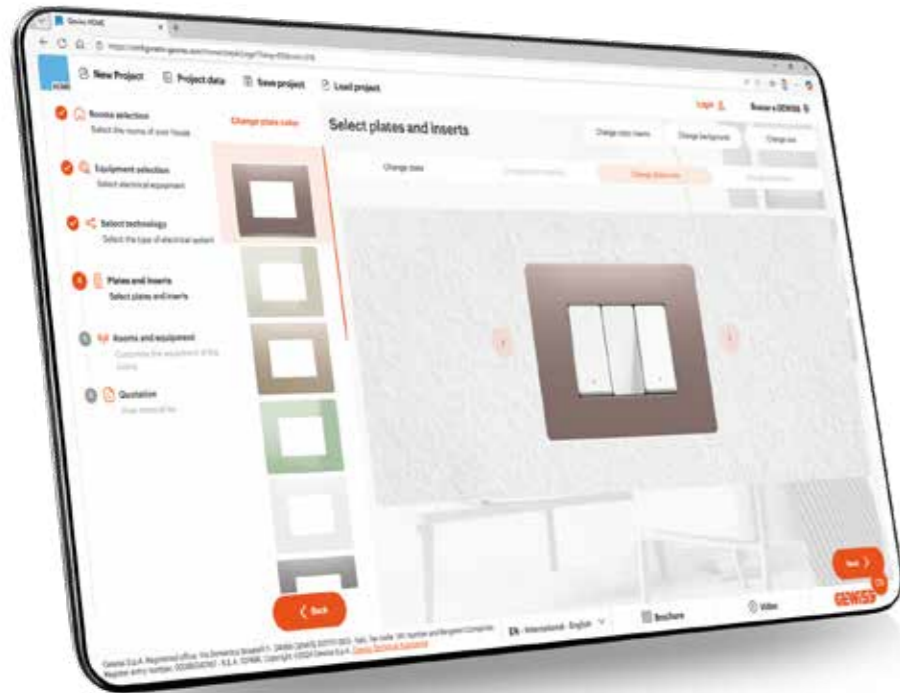


GW A1 514
Water sensor



GW A1 541
Wall-mounting support for water sensor

13 Trade assistance



Configuring and budgeting the cost of domestic electrical systems

HOME is an online tool available at gewiss.com, accessible from any internet-connected device. It allows you to configure and budget a home electrical system through a simple guided procedure.

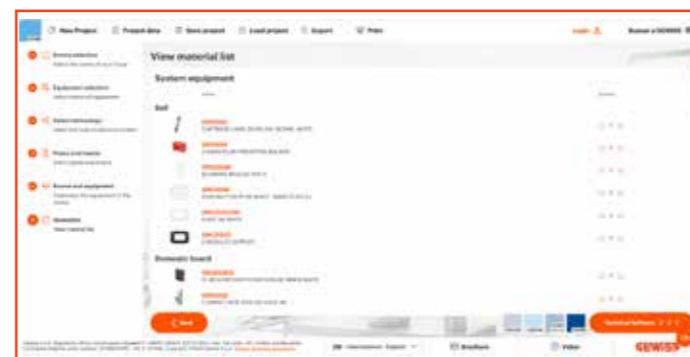
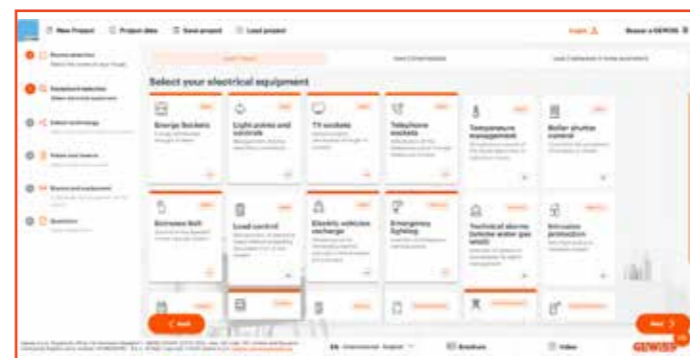
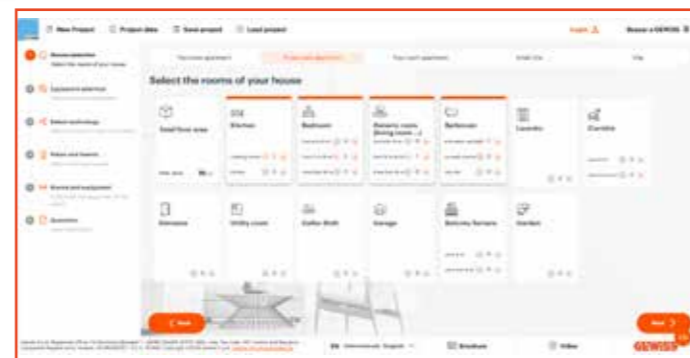
The user can choose between three system types - traditional, connected or KNX - and receive a configuration proposal that can be further customised to suit their needs.

Through a guided sequence of steps, the user is assisted in configuring the electrical system, selecting:

- **The rooms of the home**
- **The electrical equipment and technology**
- **The type and colour of plates and devices**

Once setup is complete, you can view the complete list of materials expected to be used in the system and export it to PDF and Excel formats.

Projects created with the configurator can be saved and reopened at any time to make changes or updates as desired.



Scan the QR Code and discover all the benefits of the online Software for budgeting your home electrical systems.



The Technical Support Service puts you in direct contact with GEWISS technical officers for answers to technical questions regarding: installations, regulations, products, or software design queries. Log in to MyGewiss and fill out the appropriate form to submit a specific request to our technical assistance service for a timely response.



Head office
 GEWISS S.p.A.
 Via D. Bosatelli, 1
 24069 Cenate Sotto
 Bergamo - Italy
 Tel: +39 035 946 111
gewiss@gewiss.com

Manufacturing plant
 GEWISS S.p.A.
 Via Provinciale, 61
 24069 Cenate Sopra
 Bergamo - Italy

Logistics centre
 GEWISS S.p.A.
 Via L. Galvani, 1
 24050 Calcinate
 Bergamo - Italy
 Tel: +39 035 946 111

Manufacturing Plant
 GEWISS S.p.A.
 Via Emilia Pavese, 53
 29015 Castel San Giovanni
 Piacenza - Italy

GEWISS Israel & Palestine

Lyfe Towers, Building B, HaYarkon St., 5, 12th floor, Bnei Brak, 5120401, Israel

T +972 77 4507800

M +972 52 3347512

www.gewiss.com

GEWISS S.p.A.

Registered Office: Via Domenico Bosatelli, 1

24069 Cenate Sotto (BG), Italy

T +39 035 946 111

E gewiss@gewiss.com

www.gewiss.com

Bergamo Business Register / VAT / Tax Code (IT) 00385040167

Economic and Administrative Index 107496 - Share Capital 60,096,000.00 EUR fully paid up

Company subject to the management and coordination of Polifin S.p.A.

