

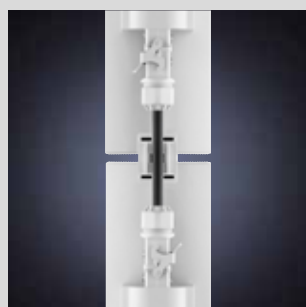


## Smart [3] Plus - Smart [3]

**GEWISS**

**Smart [3] Plus** has arrived! With **greater lighting performance and efficiency** for even higher energy savings, this great addition to the ever improving Smart [3] family makes this a more complete LED family, ideal for car parks, industrial areas, warehouses and much more!

### The exclusive advantages of **Smart [3] Plus** and **Smart [3]**



#### Modularity

Smart [3] Plus and Smart [3] are available in three sizes and in a stand-alone or through-wiring version, for fast, easy installation and modularity for linear or flexible configurations.



#### Connectivity

Smart [3] Plus and Smart [3] are designed to communicate with IoT systems enabling you to monitor consumption, on/off settings, programming and efficiency tests. For an increasingly SMART system.



#### Flexibility

The Smart [3] family is feature-rich and with Smart [3] Plus it becomes even more flexible. With a variety of power levels, high efficiency and high emission versions (HLO) and a new elliptical beam optic, the range is able to satisfy any lighting and application requirement.



#### Efficiency

Smart [3] becomes even more efficient thanks to the Smart [3] Plus versions, with luminous flux up to 9.400lm and efficiency at 163 lm/W. For a super efficient and economical system.

Visit [www.gewiss.com](http://www.gewiss.com) and follow us on:





Manufacturing



Service Areas

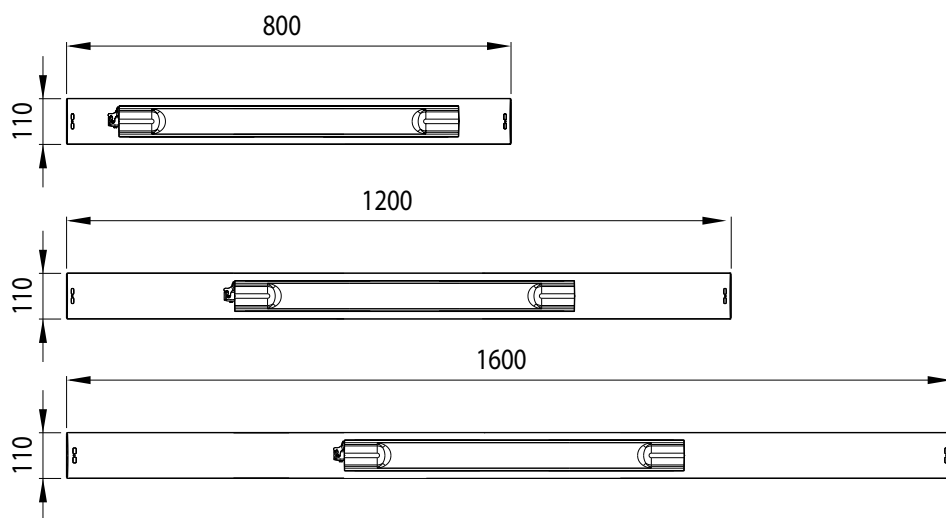


Food Industry

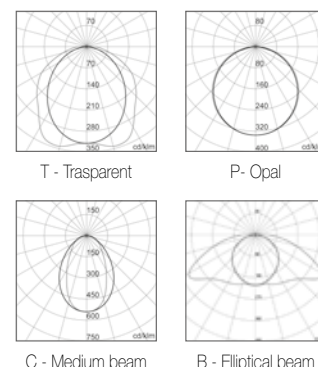


Parking

## Dimensions



## Photometry



Discover the full **Smart [3]** range on [www.gewiss.com](http://www.gewiss.com)

Dimension	Smart [3]			Smart [3] Plus			
	800	1200	1600	800	1200	1600	1600 HLO
Lumen output (lm)	Until 3400	Until 5200	Until 6700	Until 3900	Until 5700	Until 7500	Until 9400
Power (W)	27	40	50	26	38	50	63
Optic	Trasparent Opal	Trasparent Opal	Trasparent Opal	Trasparent Opal	Trasparent Opal	Trasparent Opal Medium beam Elliptical beam	Trasparent Opal Medium beam Elliptical beam
Supply	ON/OFF - DALI	ON/OFF - DALI	ON/OFF - DALI	ON/OFF - DALI	ON/OFF - DALI	ON/OFF - DALI	ON/OFF - DALI
Plug	Stand Alone Through wiring	Stand Alone Through wiring	Stand Alone Through wiring	Stand Alone Through wiring	Stand Alone Through wiring	Stand Alone Through wiring	Stand Alone Through wiring
Colour temperature (K)	830 - 840 -857	830 - 840 -857	830 - 840 -857	830 - 840 -857	830 - 840 -857	830 - 840 -857	830 - 840 -857
Colour rendering (Ra)				930 - 940 - 957	930 - 940 - 957	930 - 940 - 957	930 - 940 - 957
Efficiency	max 126lm/W	max 130lm/W	max 134lm/W	max 156lm/W	max 158lm/W	max 163lm/W	max 154lm/W

## Technical features

- Operating temperature (Ta): -25°C a +50°C
- Lifetime:  
Smart [3]: 50.000h (L90B50) Tq 25°C - 100.000h (L80B50) Tq 25°C  
Smart [3] Plus: 50.000h (L90B10) Tq 25°C - 45.000h (L90B10) Tq 50°C - 100.000h (L80B10) Tq 25°C
- Photobiological risk group RGO only Smart [3] Plus
- Emergency with UPS, with external emergency Kit or integrated (for Smart 3 Plus 1200/1600 only)



Visit [www.gewiss.com](http://www.gewiss.com) and follow us on: