



## Smart [3]e

**GEWISS**

**Smart [3]e** is here! A new addition to the GEWISS lighting family designed for **easy relamping**, **quick to install** and **guaranteed for 5 years**.

**Smart [3]e** the new waterproof lighting fixture with a compact design and high performance, is a great enlargement of **Smart [3]** and **Smart [3] Plus** LED family. The right solution for a fast return on investment, at an excellent price.

### The exclusive advantages of **Smart [3]e**



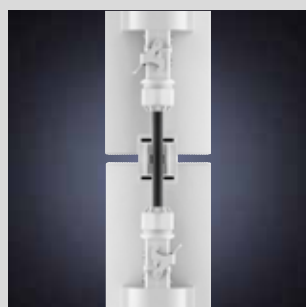
#### Relamping

The Smart [3]e range guarantees the same performances of 1200mm and 1600mm waterproof lighting fixtures having a more compact size. With its design, Smart [3]e offers all its valued qualities concerning lightness and resistance while ensuring a quick return on investment.



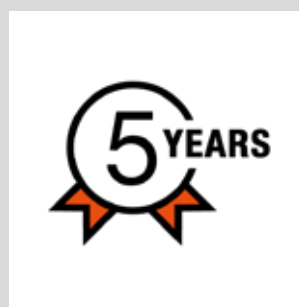
#### Sturdiness

Smart [3]e is particularly strong even at the most critical temperatures (-25° + 40°C) with a high degree of protection (IP69). The careful choice of materials guarantees exceptional durability (L80B20 = 90.000h) and high impact resistance (IK08).



#### Easy installation

Smart [3]e is available in two sizes 800mm Stand Alone and 1200mm Stand Alone and Through Wiring for linear installation or with the emergency kit. The GEWISS connection systems and the variable fixing points make installation easy and fast, optimizing the labour costs.



#### Quality warranty

Smart [3]e is one of GEWISS' high quality LED lighting fixtures ranges, designed to guarantee maximum reliability and innovation, in terms of single parts components and product quality.

Visit [www.gewiss.com](http://www.gewiss.com) and follow us on:



Choose **Smart [3]e** the best match between the highest quality and the quickest return on investment



**CASE STUDY:**  
Relamping of indoor stocking area  
Total area 20x20m

**NORMATIVE REQUIREMENTS:**  
UNI EN 12464-1:2011  
Lighting of indoor workplaces

**OLD SITUATION:**  
16pcs 2x58W TL waterproof lighting fixtures

**NEW SOLUTION:**  
Smart [3]e 16pcs GWS3220EP840  
Achieved energy saving: 60%  
Payback time thanks to reduction of energy and maintenance costs:  
**around 1 year**

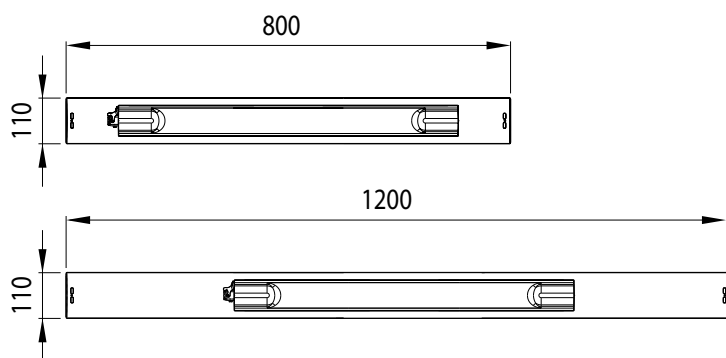
PRODUCT TECHNICAL FEATURES	
Product	Smart [3]e GWS3220EP840
Optic	Opal
Power	52W
Lumen Output	6000lm
Colour temperature and CRI	4000 K - CRI 80
Lifetime	L80B20(Tq25°C)= 90.000h

INSTALLATION DATA	
N° product	16
Installation height	4 m
Installed power	0,832 kW

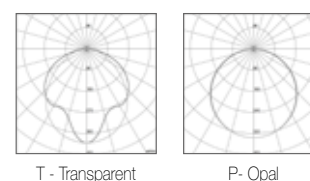
NORMATIVE REQUIREMENTS				
Class	Emed (lx)	U0	UGR	Ra
5.4.2	200	0,4	25	60

PROJECT RESULTS		
Emed [lx]	Uo	UGR
200	0,6	25

### Dimensions



### Photometry



Discover the full **Smart [3]** range on [www.gewiss.com](http://www.gewiss.com)

Code	Description	Supply	Colour temp. (K)	Shield	Power (W)	Lumen Output (lm)
GWS3120EP840	Stand Alone - 800mm	ON/OFF	4000K	Opal	34	3700
GWS3120EP857			5700K			
GWS3120ET840			4000K	Transparent		3900
GWS3120ET857			5700K			
GWS3220EP840	Stand Alone - 1200mm		4000K	Opal	52	6000
GWS3220EP857			5700K			
GWS3220ET840			4000K	Transparent		6300
GWS3220ET857			5700K			
GWS3222EP840	Through Wiring - 1200mm	4000K	Opal	52		6000
GWS3222EP857		5700K				
GWS3222ET840		4000K	Transparent			6300
GWS3222ET857		5700K				

### Technical features:

- Operating temperature (Ta): -25°C + 40°C
- LED Lifetime: L80B20 (Tq25°C)= 90.000h – L80B20 (Tq40°)= 50.000h
- CRI: 80
- SDCM: 3
- Emergency with UPS or with external emergency Kit

**IP 66**

**IP 69**

**IK 08**

**GWT 850°C**

**CE**

**5 YEARS**

Visit [www.gewiss.com](http://www.gewiss.com) and follow us on: