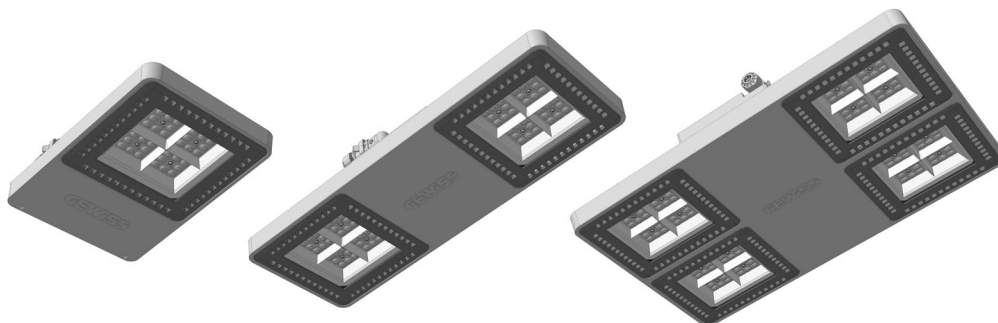


## LOWBAY - HIGHBAY - FLOODLIGHTS



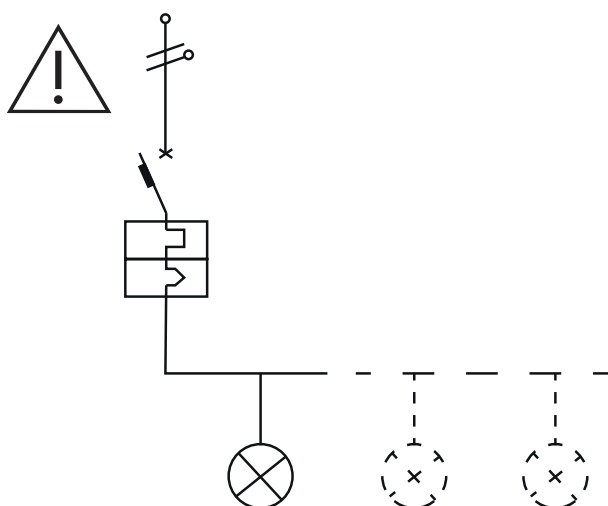
IP66



+50°C  
-30°C

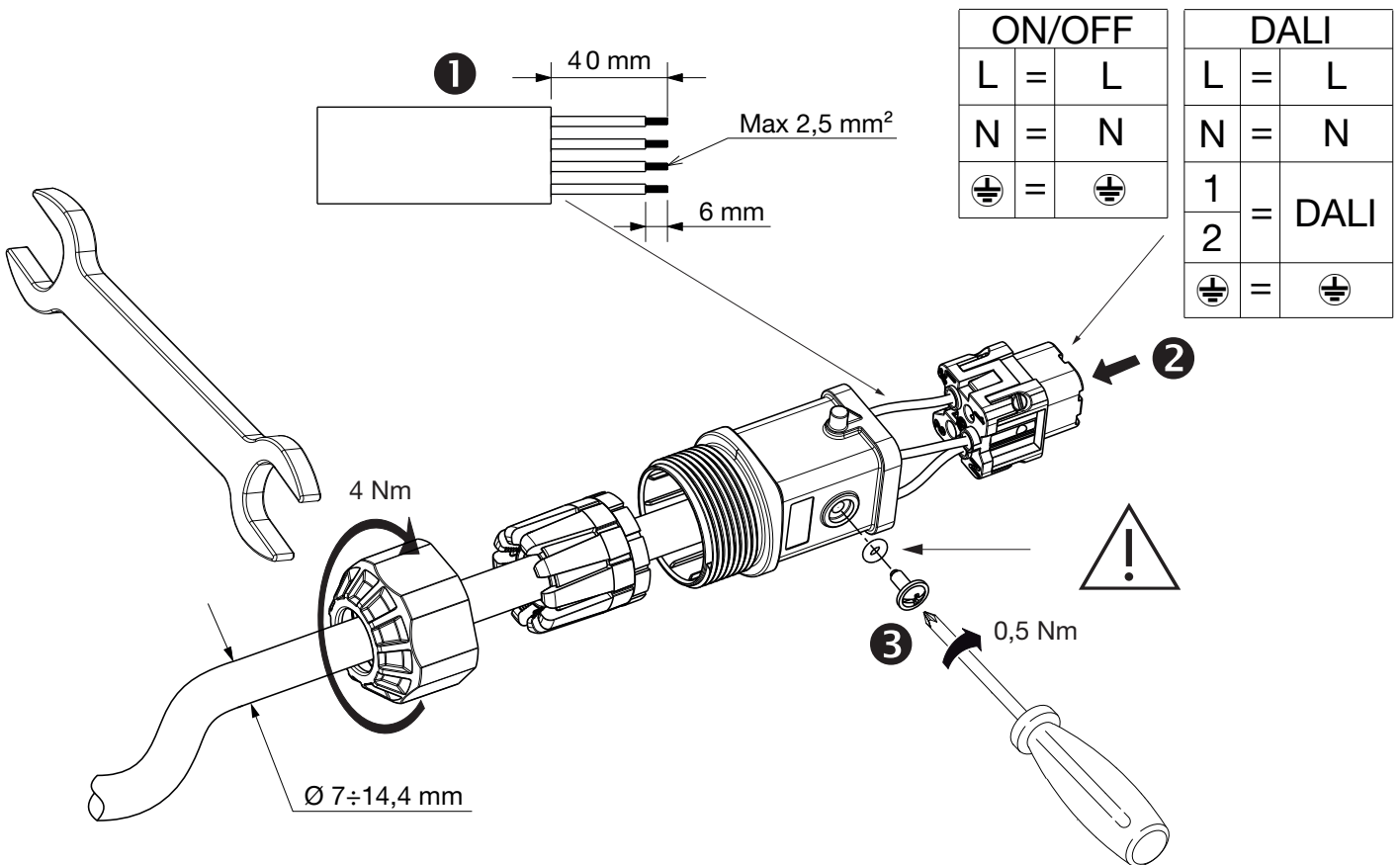
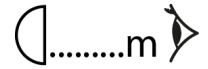


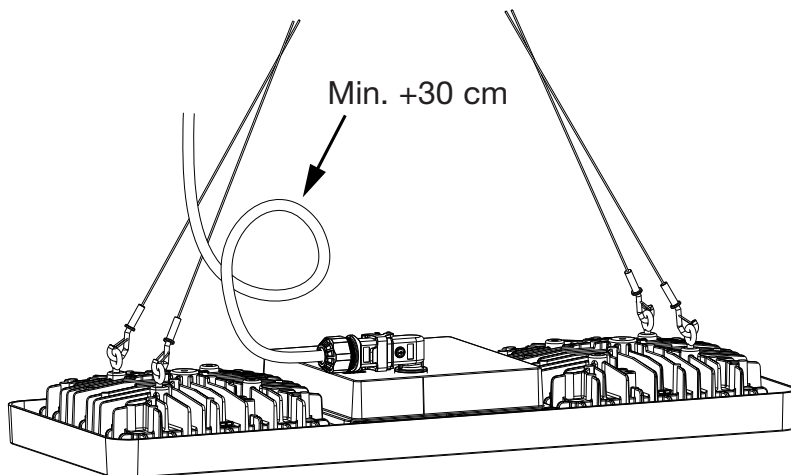
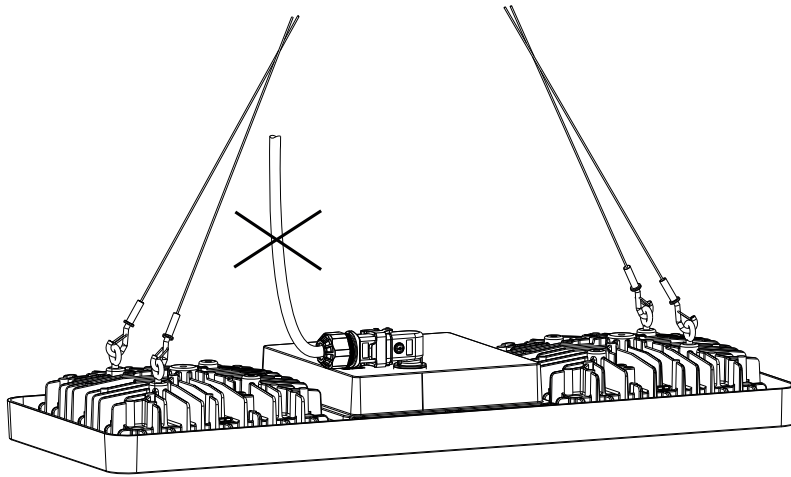
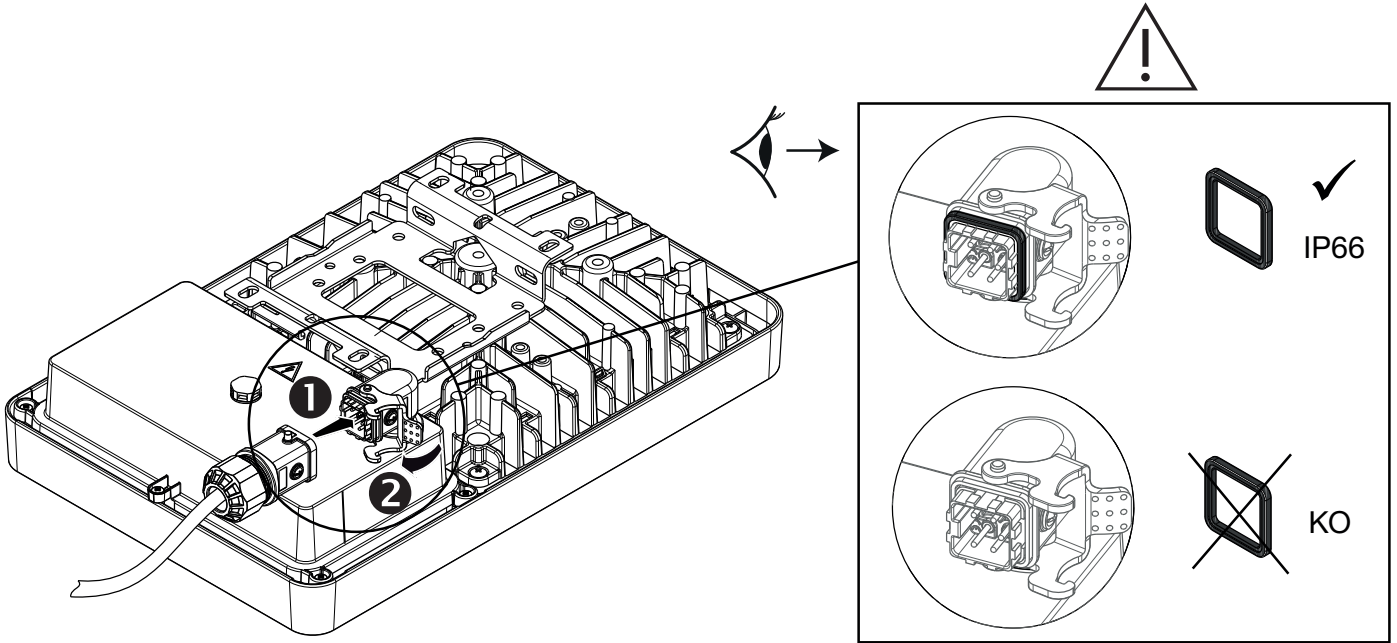
	<b>Kg</b>		
	3,5	0,097 m <sup>2</sup>	0,029 m <sup>2</sup>
	6,5	0,184 m <sup>2</sup>	0,022 m <sup>2</sup>
	13,5	0,35 m <sup>2</sup>	0,045 m <sup>2</sup>



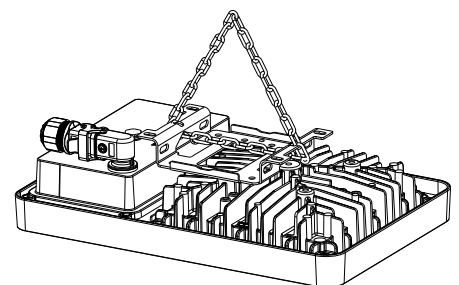
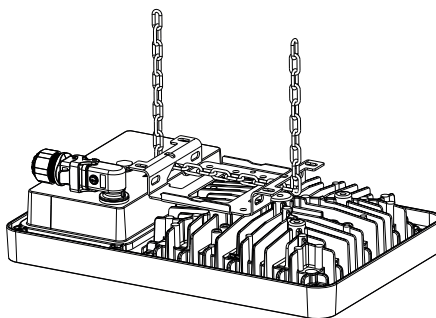
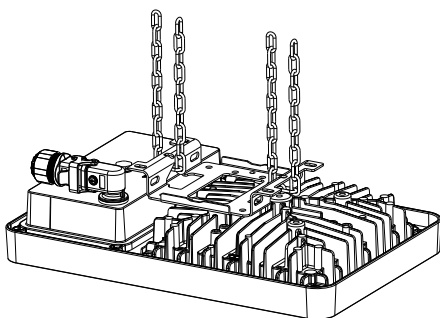
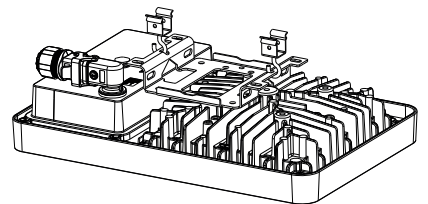
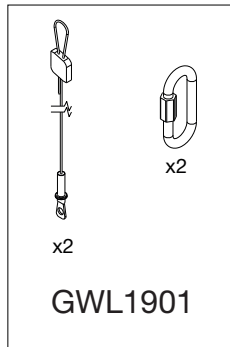
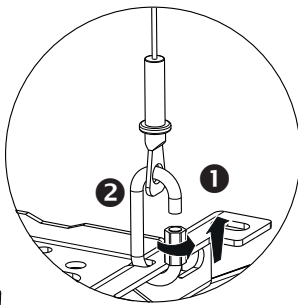
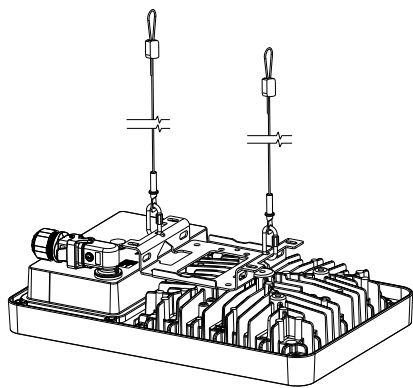
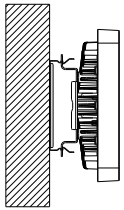
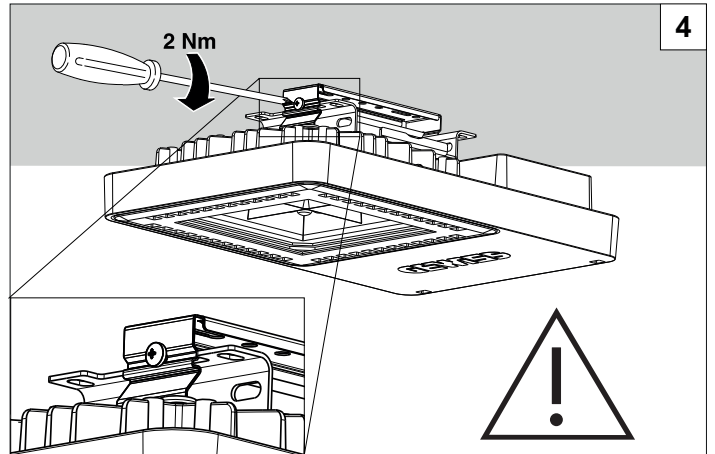
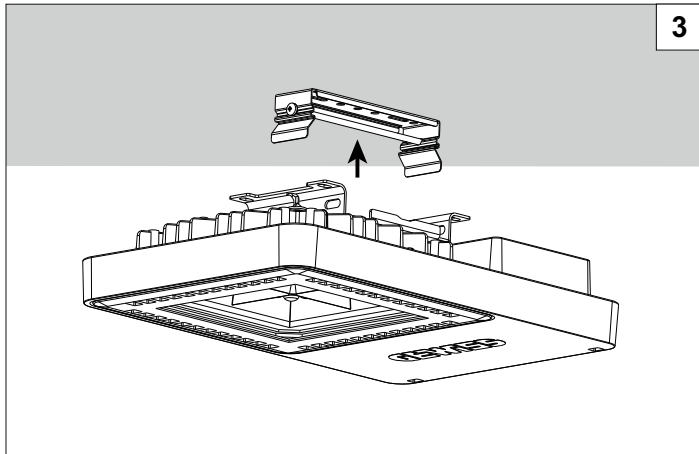
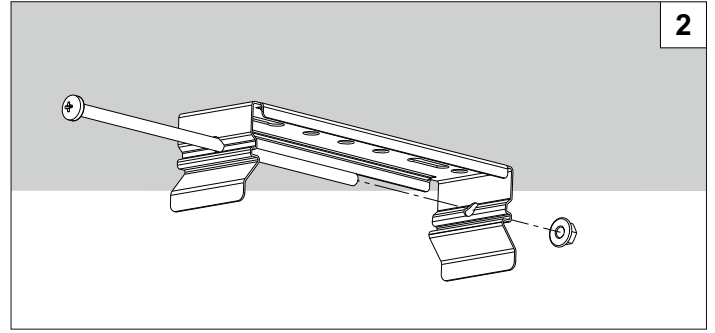
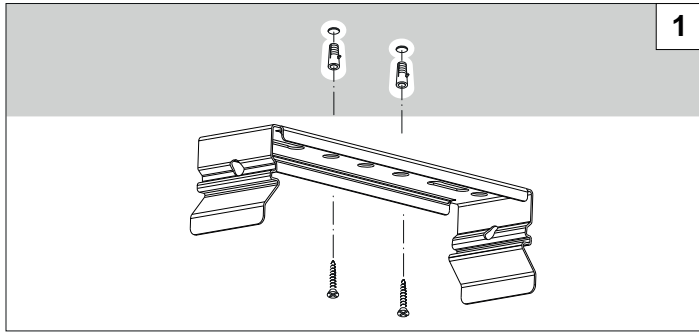
MCB current	10 A		16 A		20 A	
Max number of SMART[4] (Type B)						
	ON/OFF	DALI	ON/OFF	DALI	ON/OFF	DALI
SMART[4] 1M	6	6	10	10	12	12
SMART[4] 2M	4	4	7	7	8	8
SMART[4] 4M	2	4	4	7	5	8
Max number of SMART[4] (Type C)						
SMART[4] 1M	10	10	17	17	20	20
SMART[4] 2M	7	7	11	11	14	14
SMART[4] 4M	4	7	8	11	6	14

LED CCT:	≤ 6500 K		
	RG1:	RG0:	
	Smart[4] 1M / 2M / 4M	Smart[4] 1M	Smart[4] 2M / 4M
ARRAY	100 cm	400 cm	575 cm
90°	50 cm	450 cm	600 cm
60°	100 cm	500 cm	700 cm
30°	20 cm	850 cm	1200 cm
ASYMMETRICAL	20 cm	350 cm	475 cm
ELLIPTICAL	75 cm	425 cm	600 cm





# SMART[4] 1M

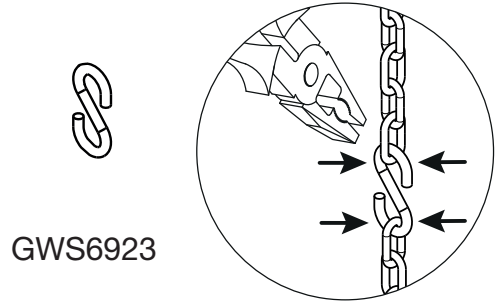




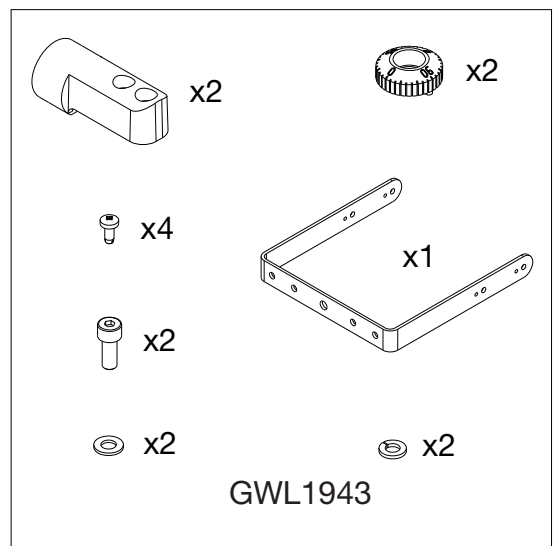
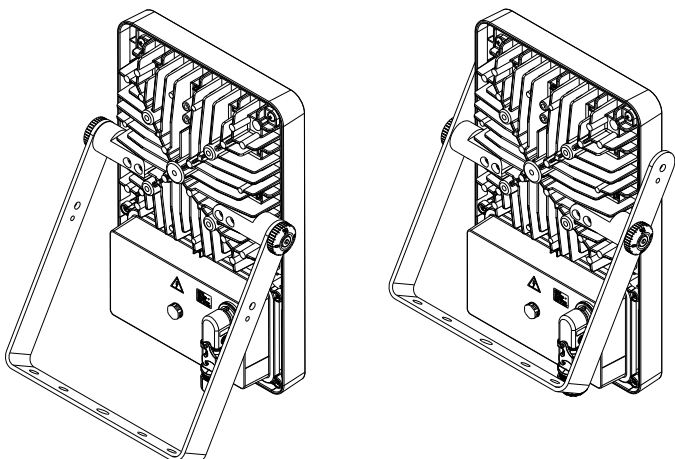
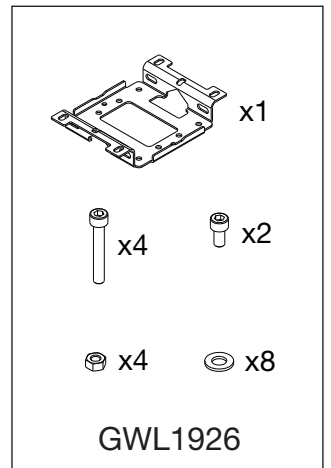
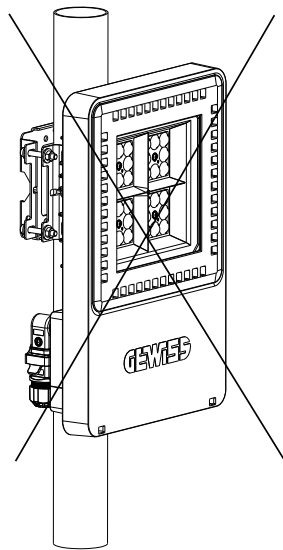
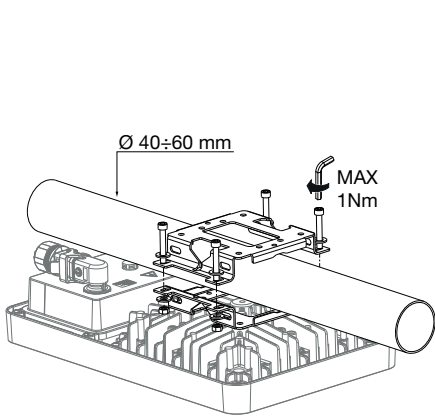
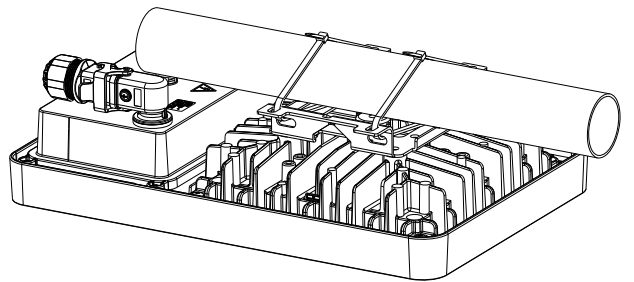
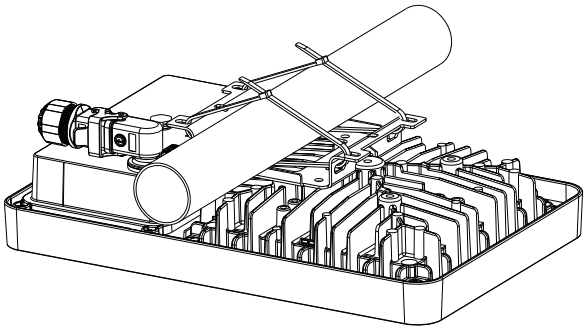


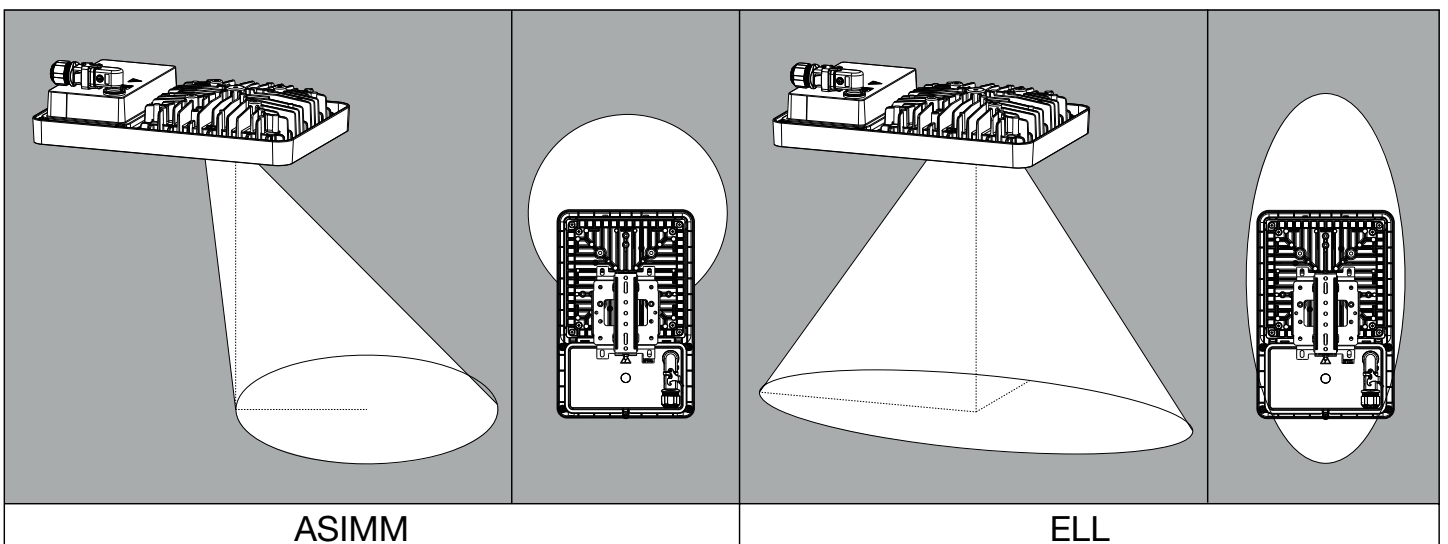
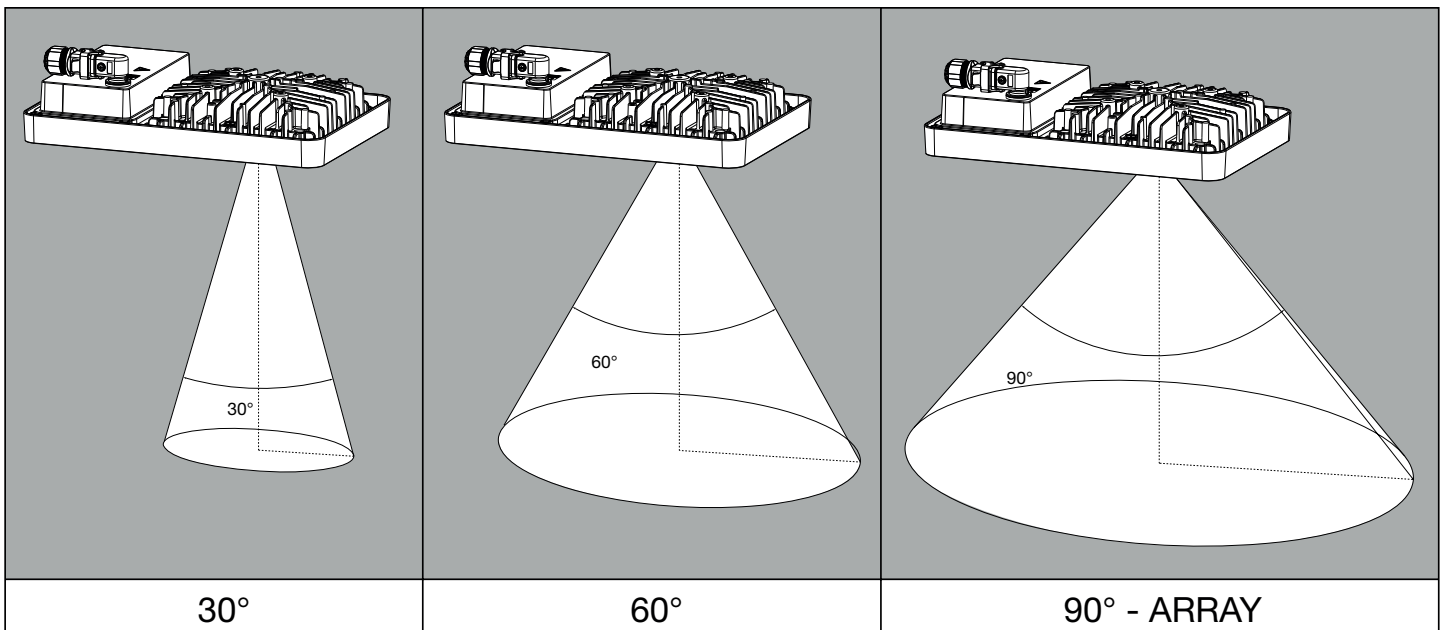
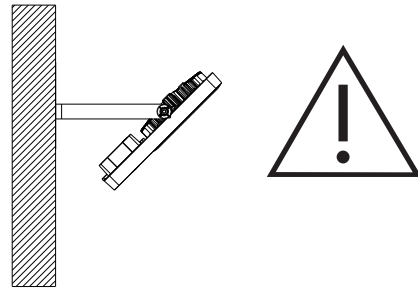
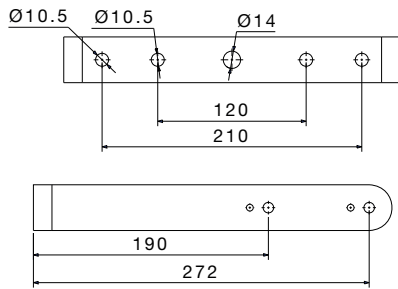
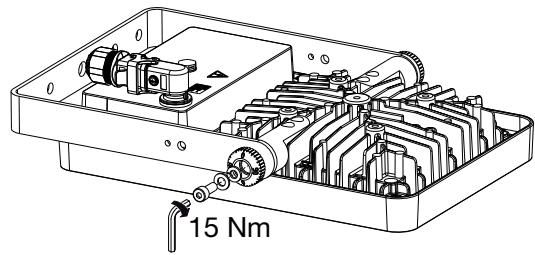
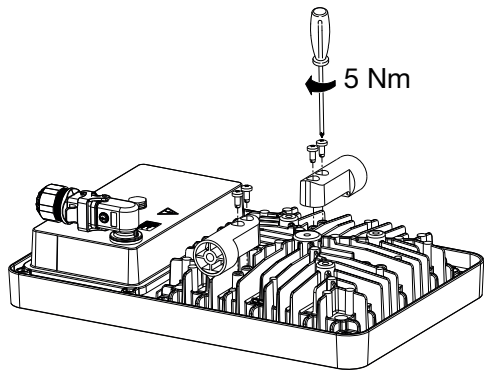
GWS6922

GWS6926

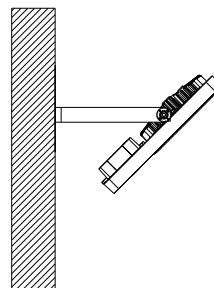
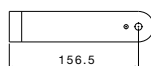
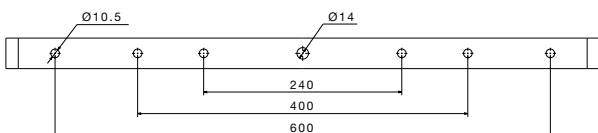
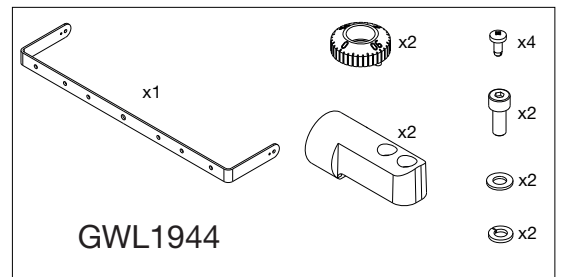
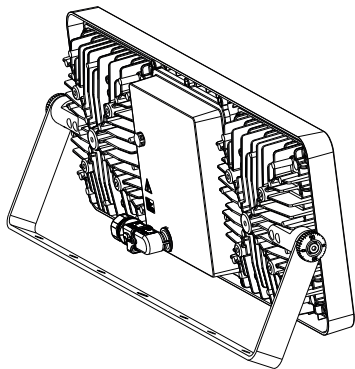
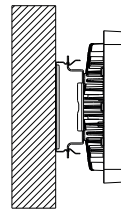
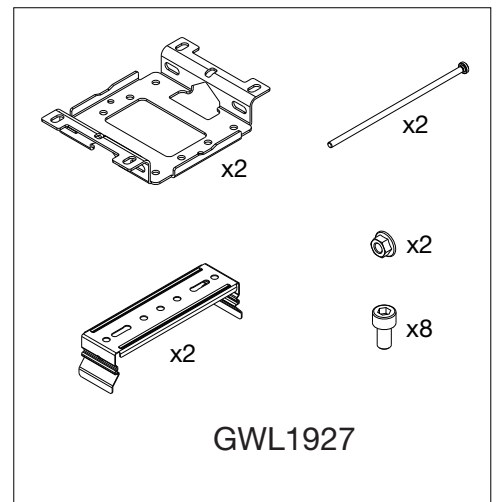
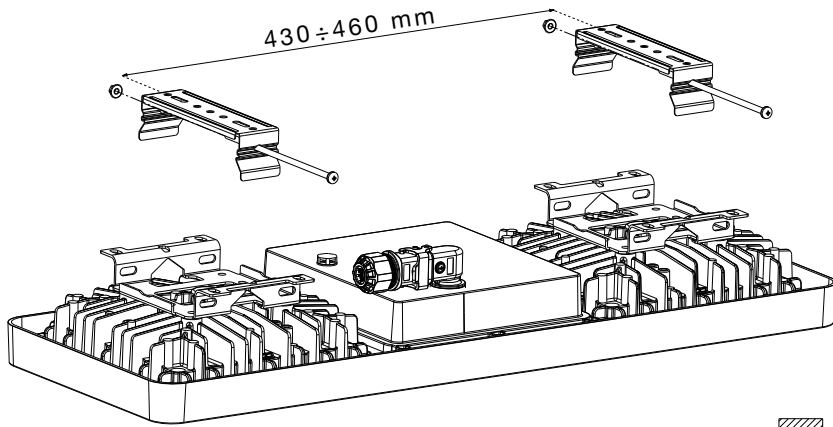
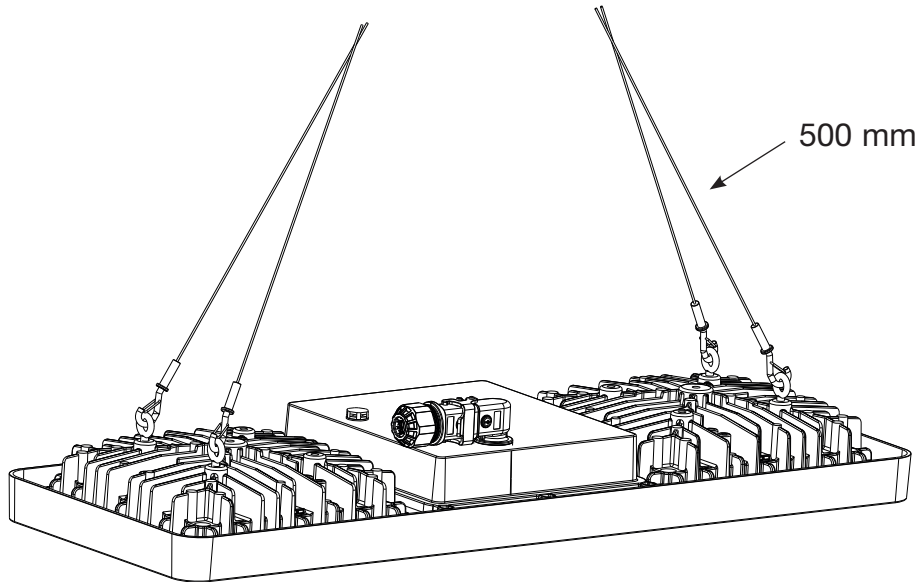


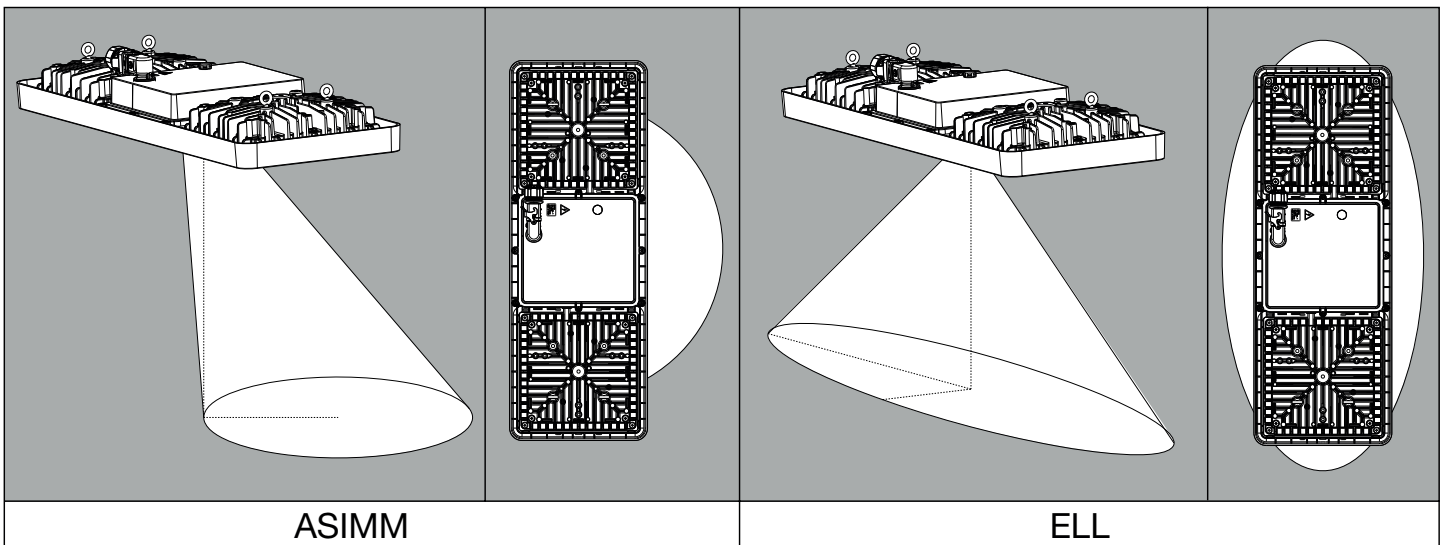
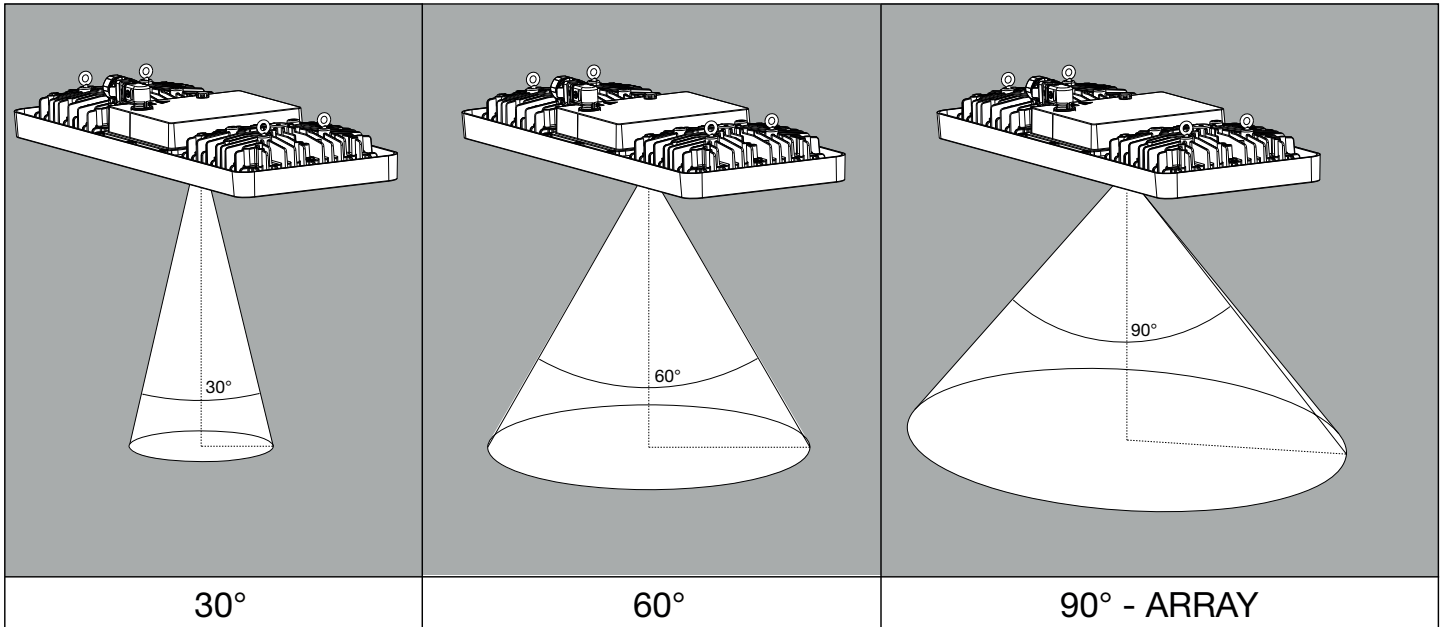
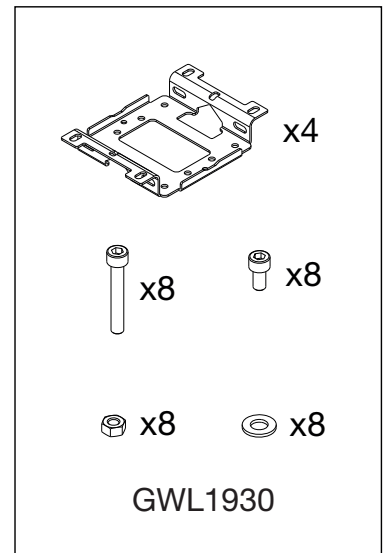
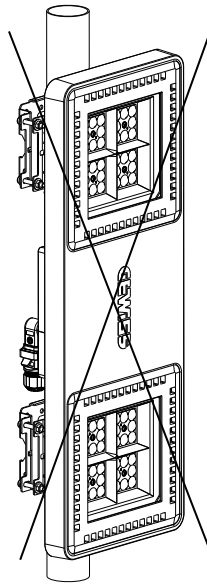
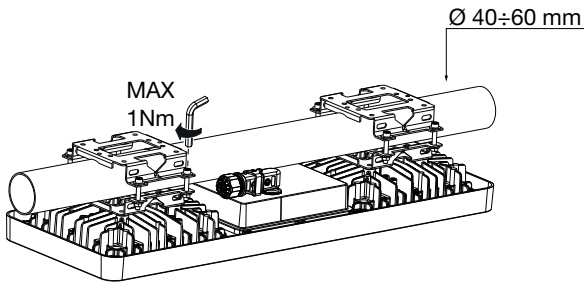
GWS6923



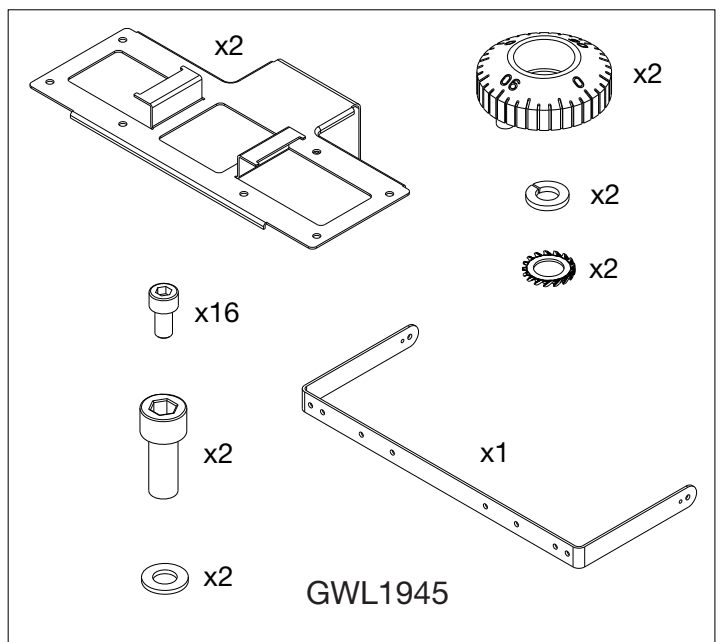
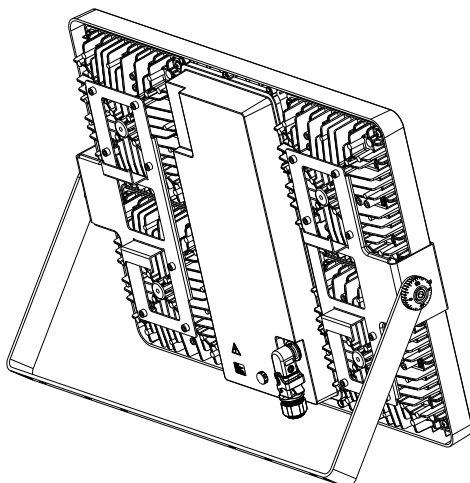
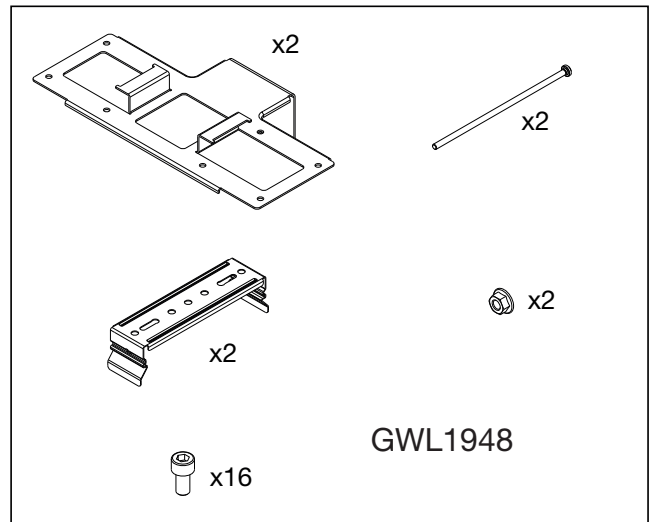
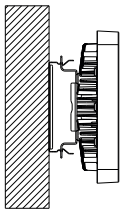
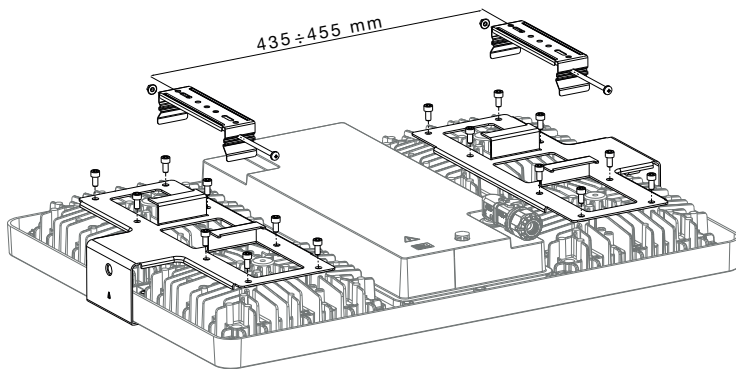
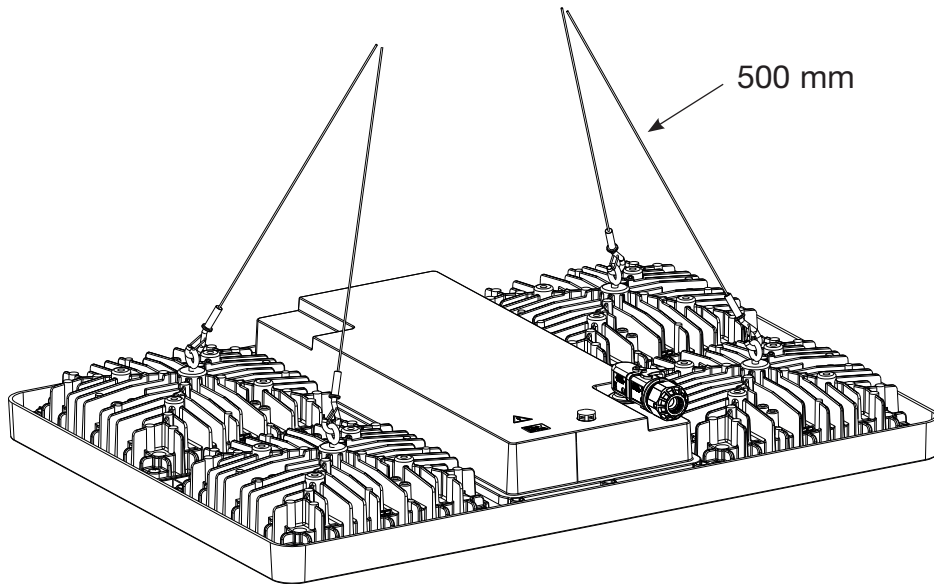


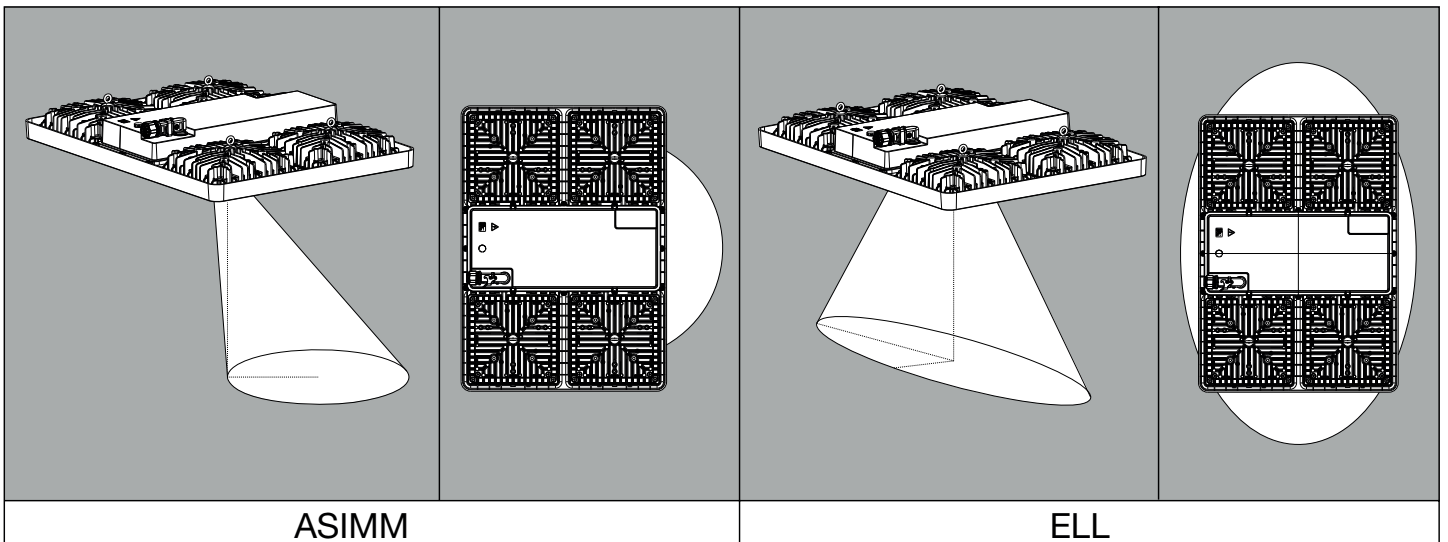
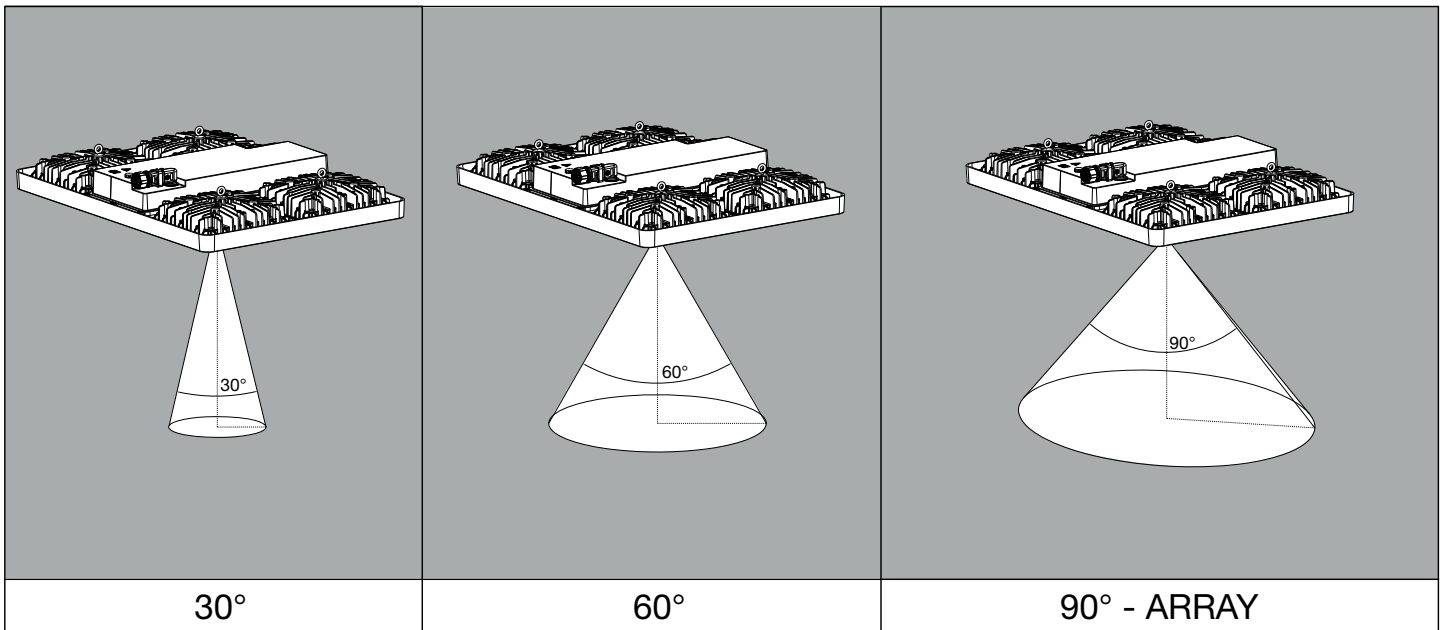
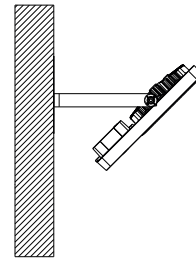
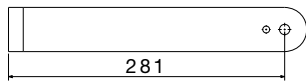
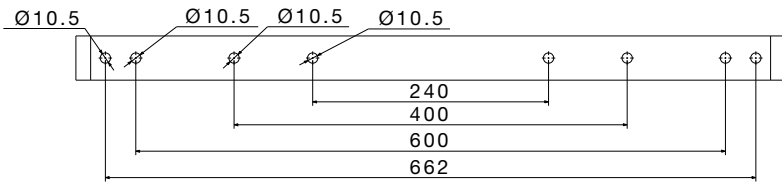
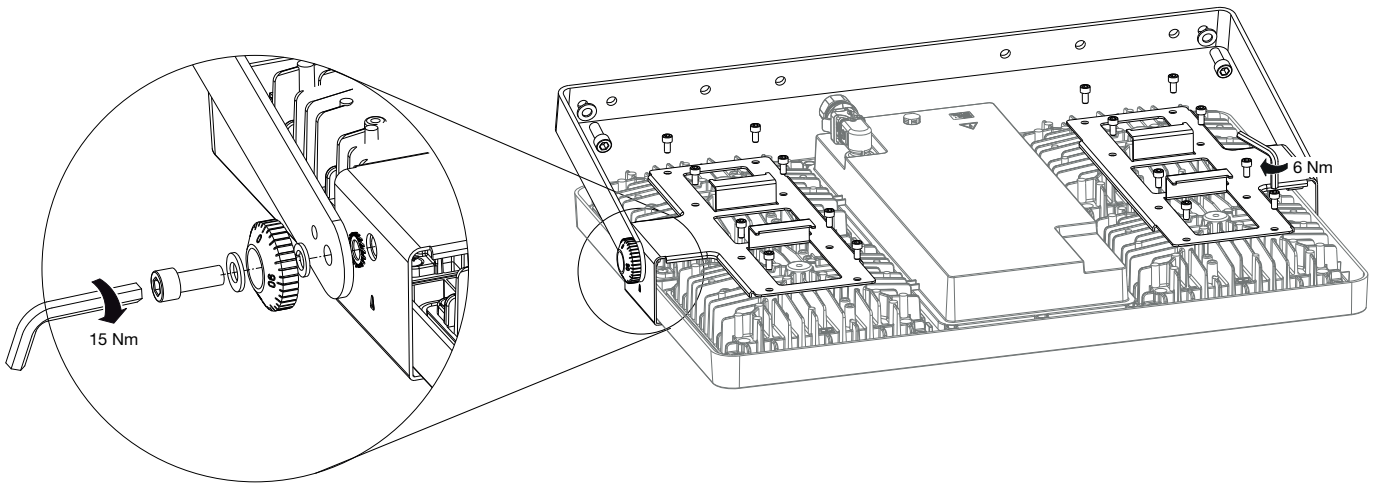
# SMART[4] 2M



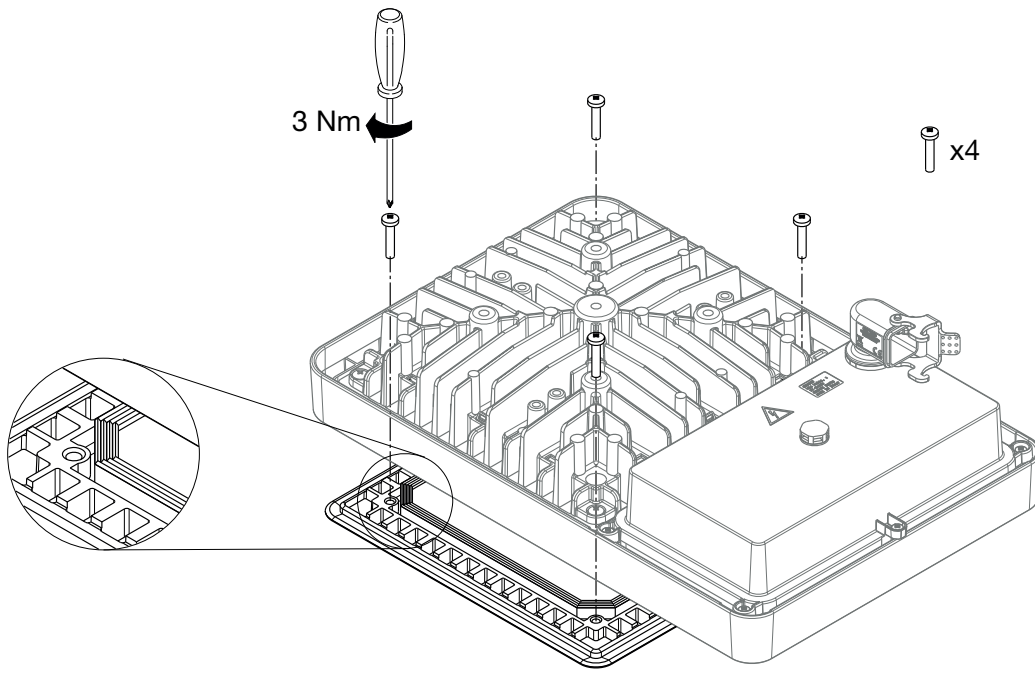
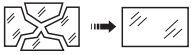


# SMART[4] 4M

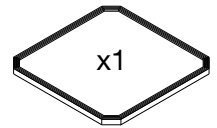








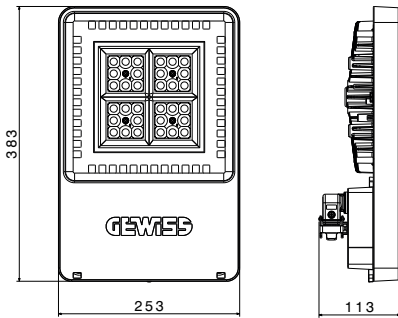
x4



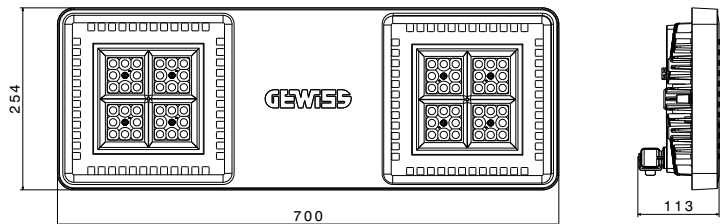
56214638



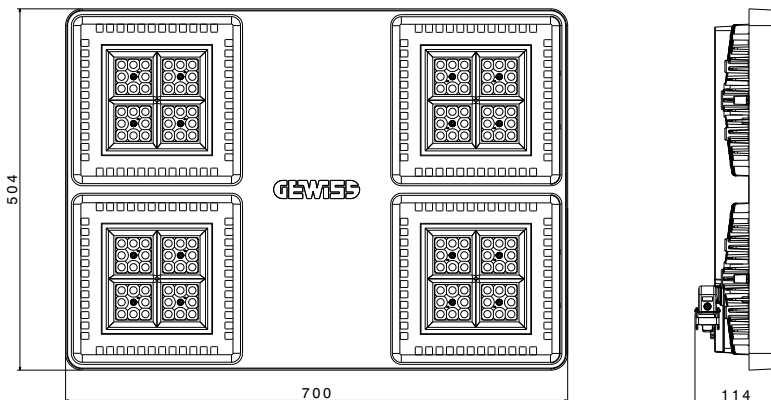
SMART[4] 1M



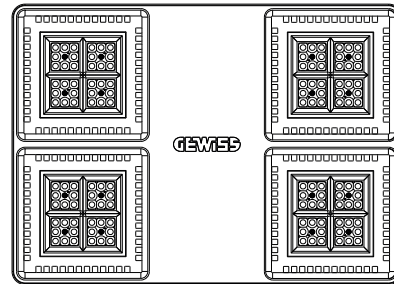
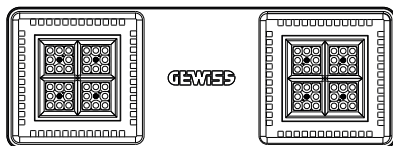
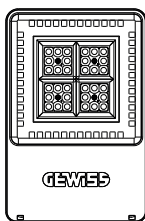
SMART[4] 2M



SMART[4] 4M







T[°C]	Flux Factor	I ±5%	W ±5%	Flux Factor	I ±5%	W ±5%	Flux Factor	I ±5%	W ±5%
25	1	0,66 A	64 W	1	0,66 A	125W	1	0,66 A	253 W
45	1	0,66 A	64 W	1	0,66 A	125W	1	0,66 A	253 W
50	0,9	0,6 A	57 W	1	0,66 A	125W	0,86	0,57 A	212 W

Flux Factor = Flux (T) / Flux (T=25°C)

Punto di contatto indicato in adempimento ai fini delle direttive e regolamenti UE applicabili:

Contact details according to the relevant European Directives and Regulations:

GEWISS S.p.A. Via A.Volta, 1 IT-24069 Cenate Sotto (BG) Italy tel: +39 035 946 111 E-mail: qualitymarks@gewiss.com



+39 035 946 111

8.30 - 12.30 / 14.00 - 18.00  
lunedì ÷ venerdì - monday ÷ friday



+39 035 946 260



sat@gewiss.com  
www.gewiss.com