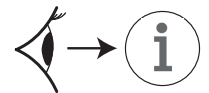


# SMART [3] PLUS

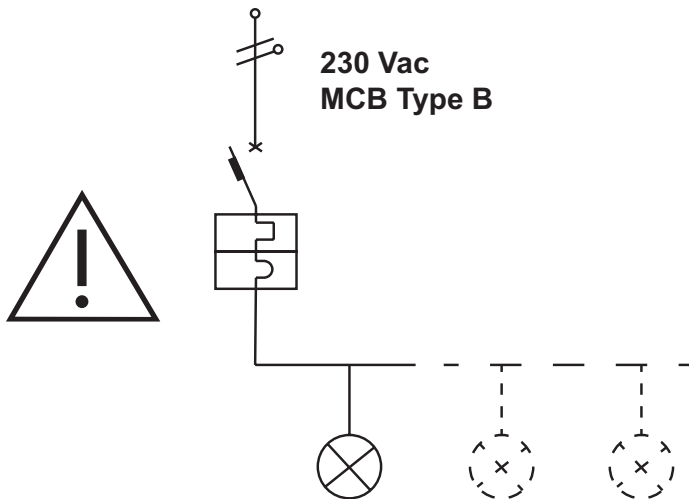
# GEWISS



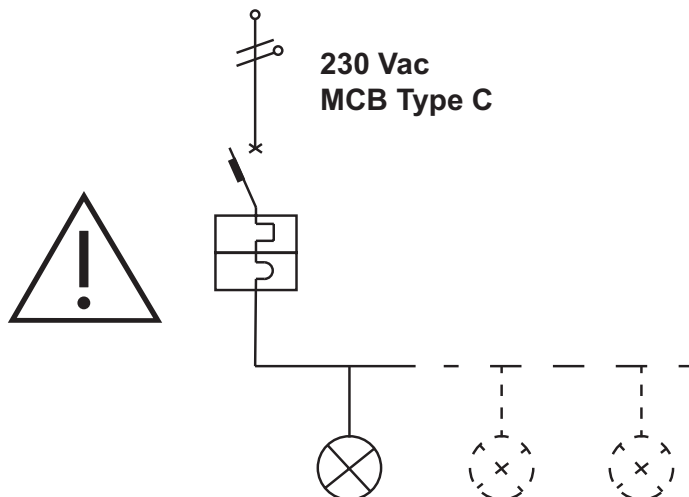
IP66  
IP69



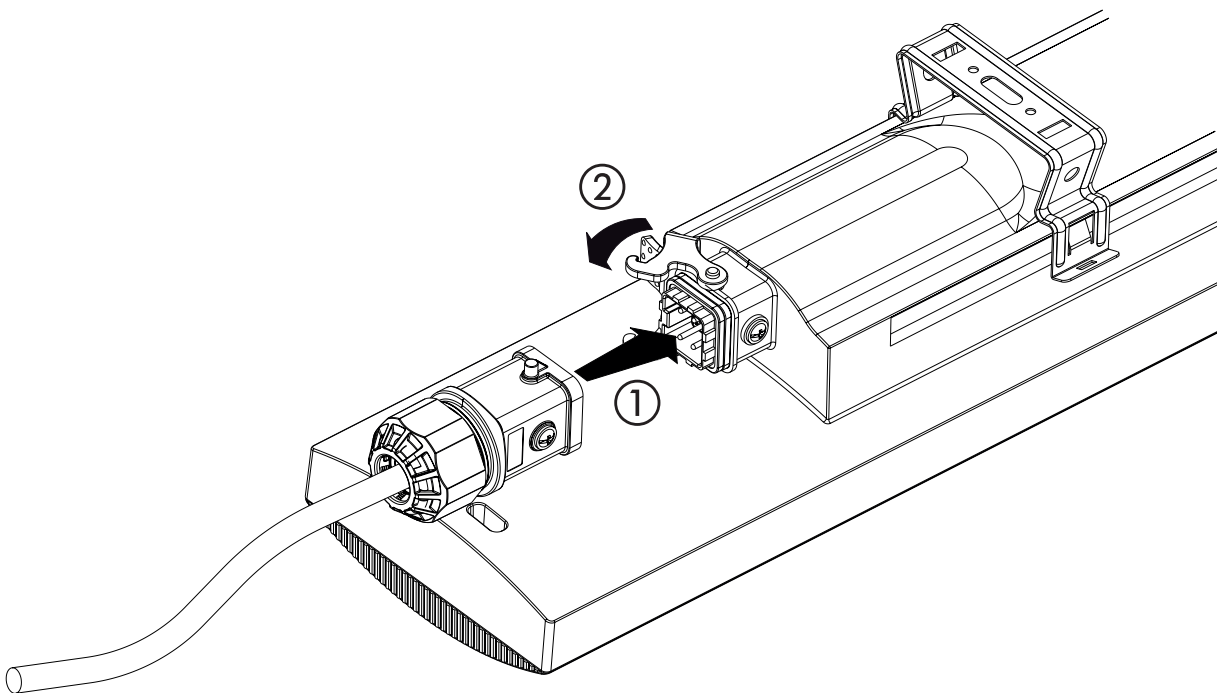
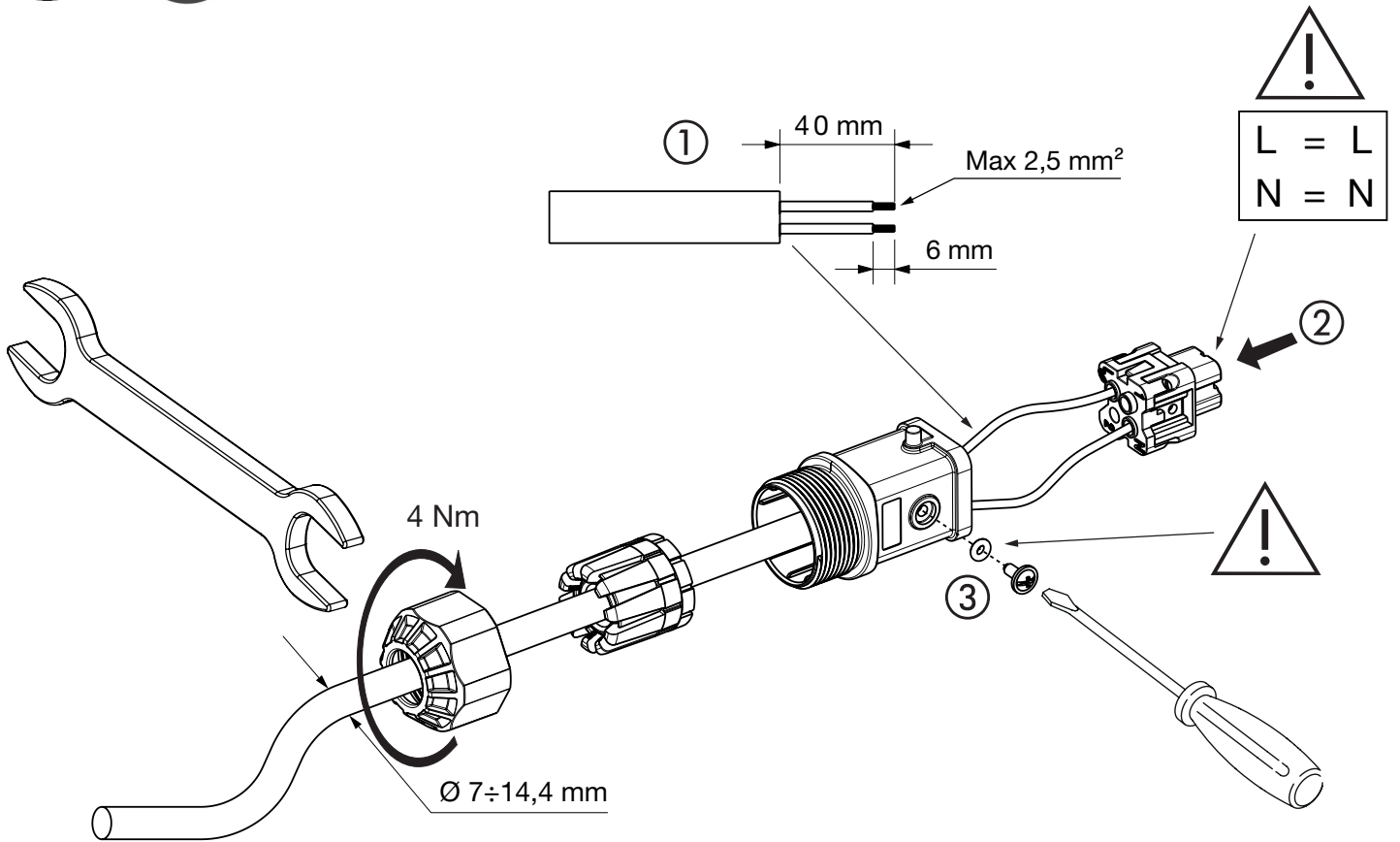
$t_a +50^\circ\text{C}$

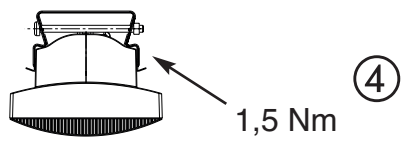
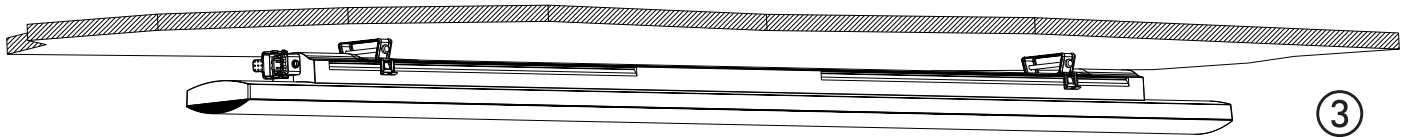
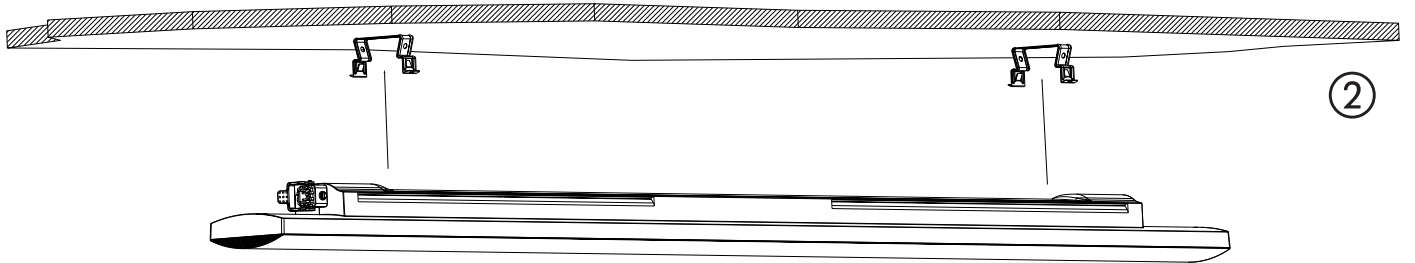
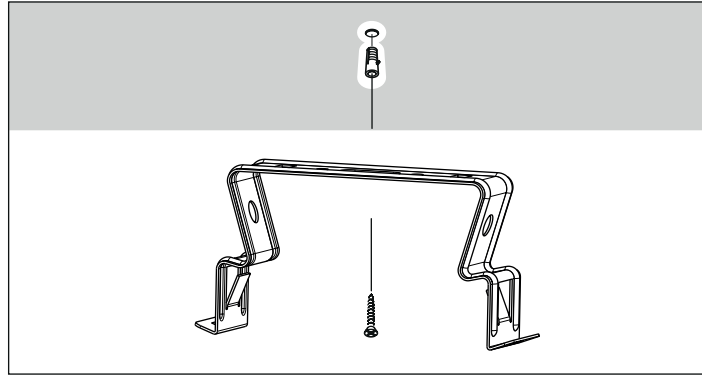


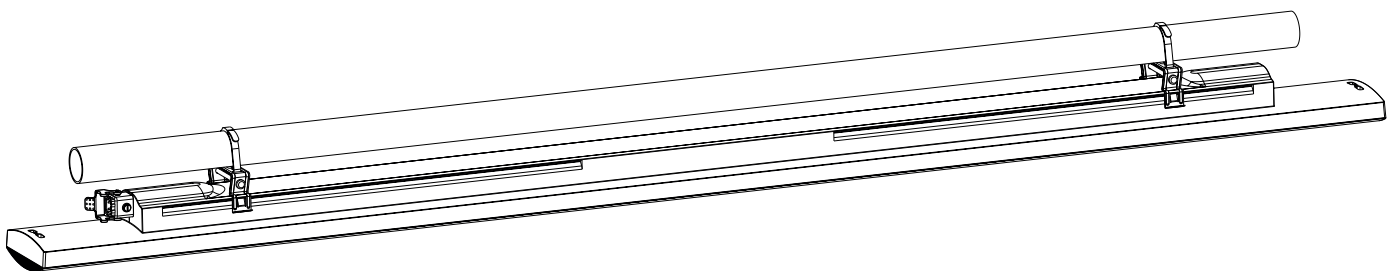
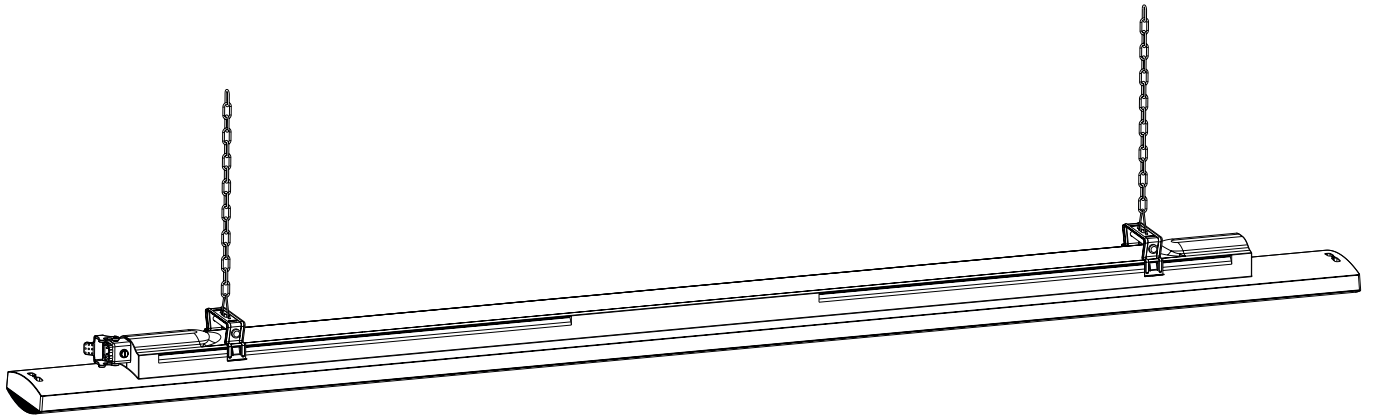
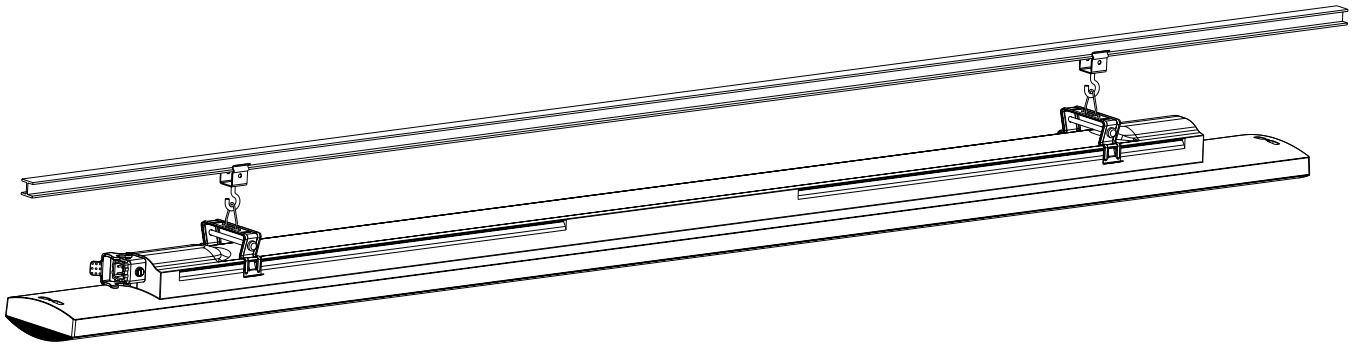
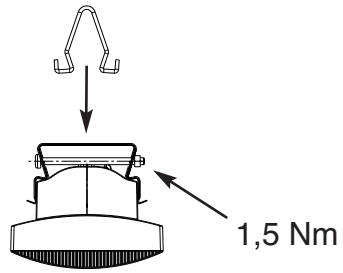
MCB current	10 A	16 A	20 A
max no. SMART [3]	18	30	37

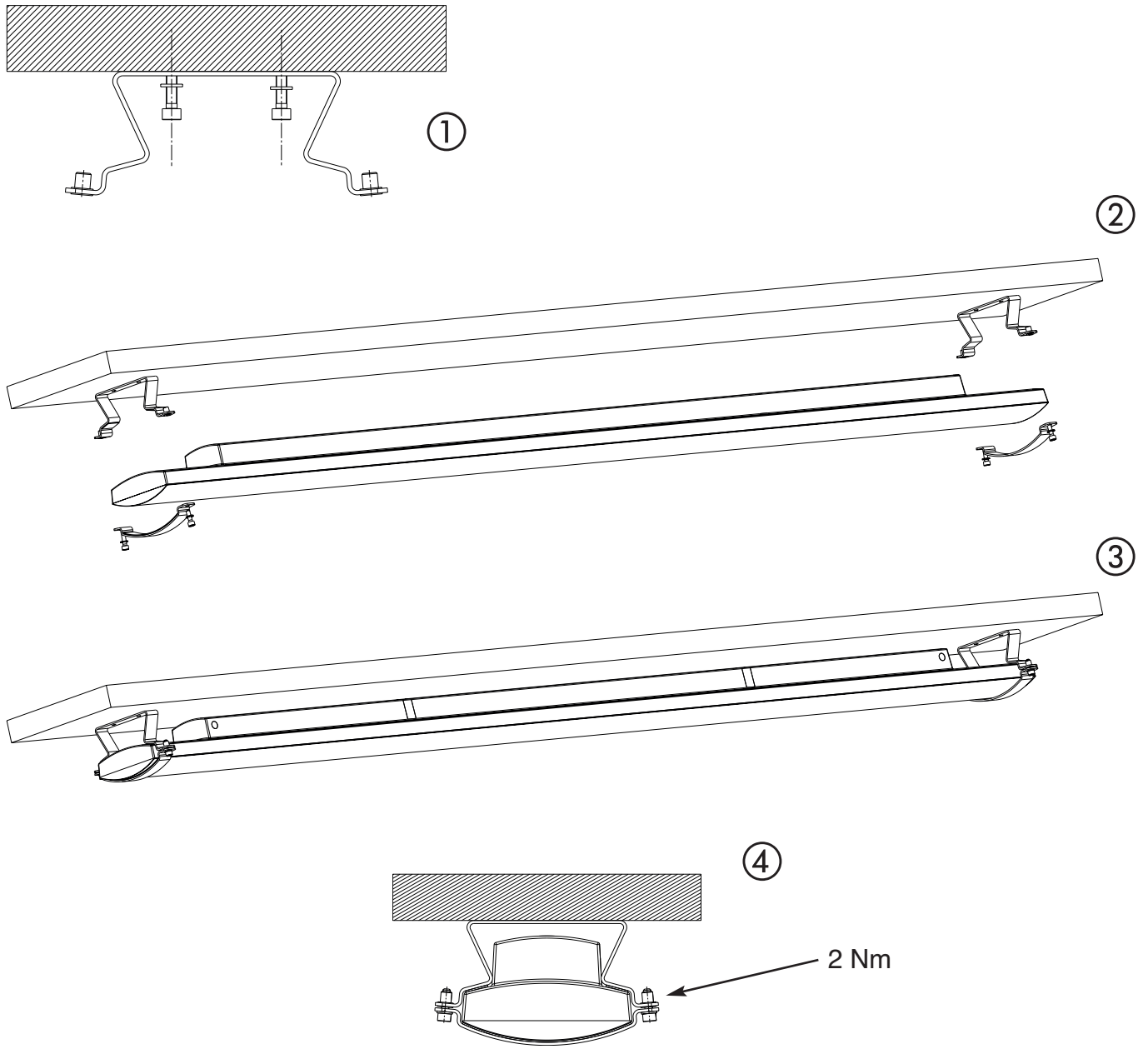
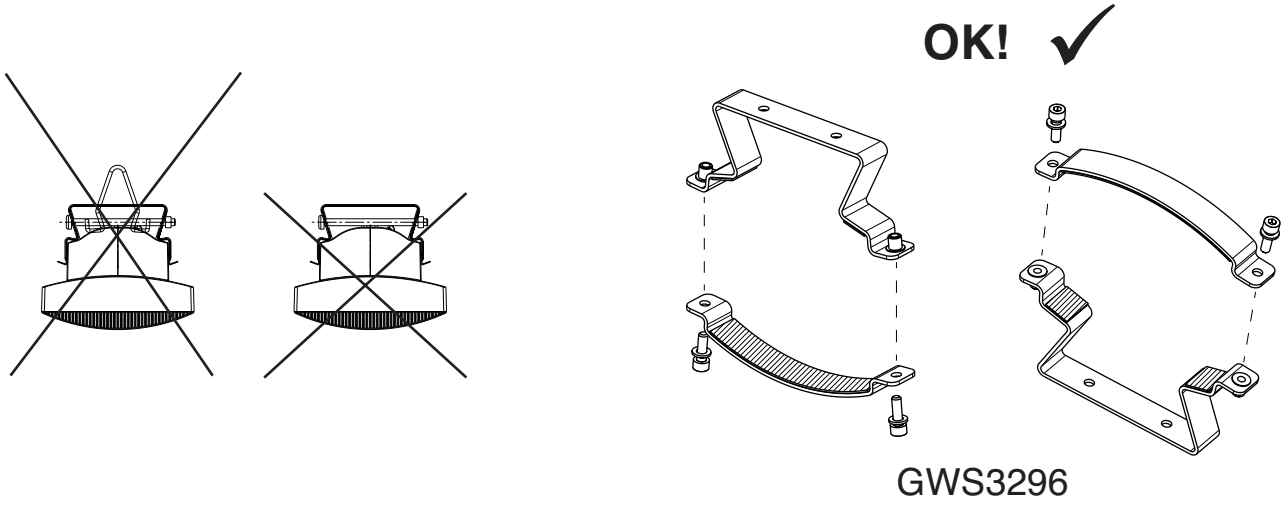
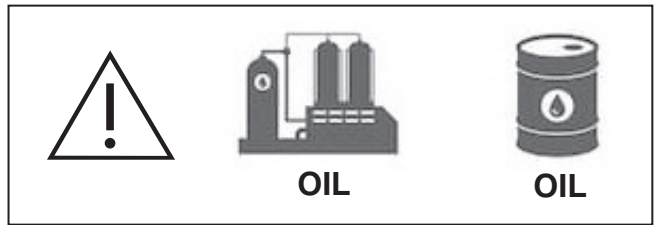


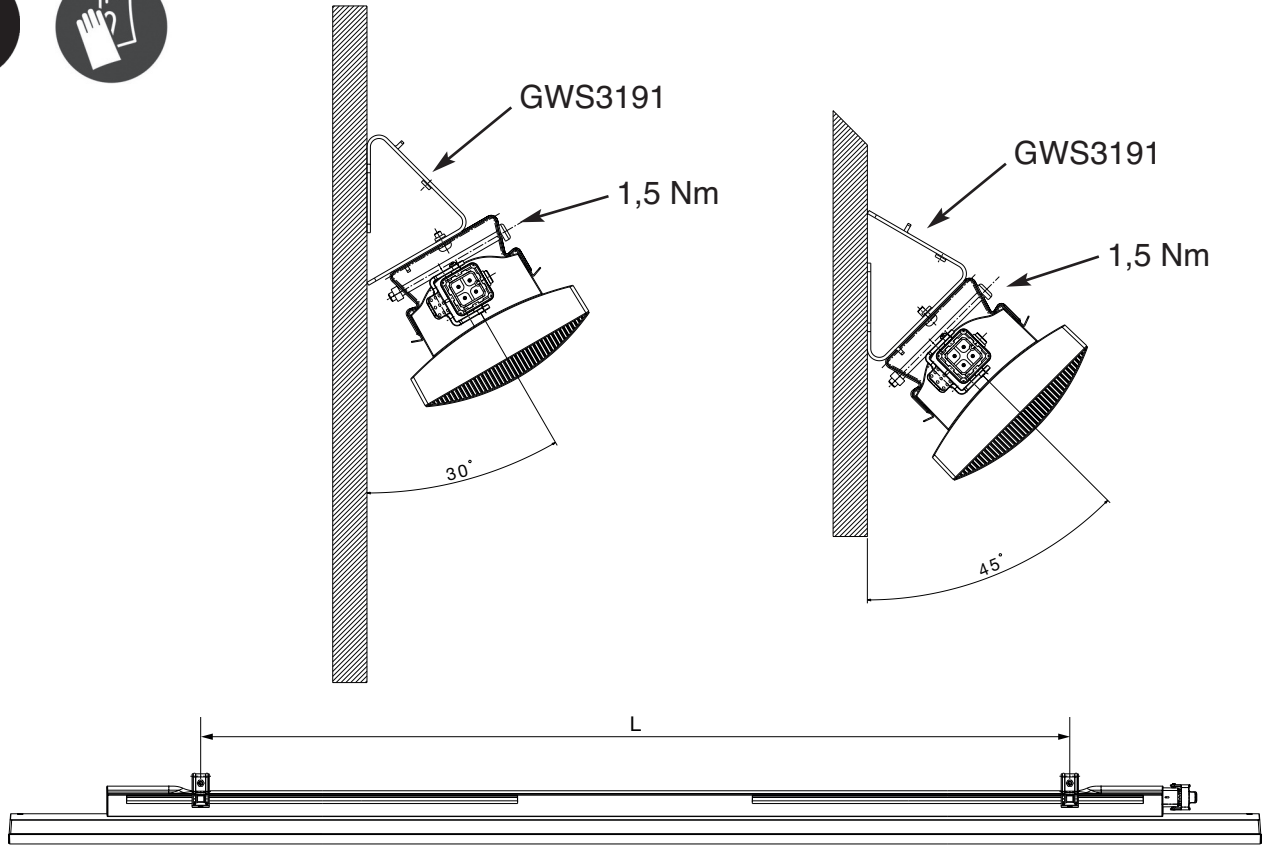
MCB current	10 A	16 A	20 A
max no. SMART [3]	31	51	62



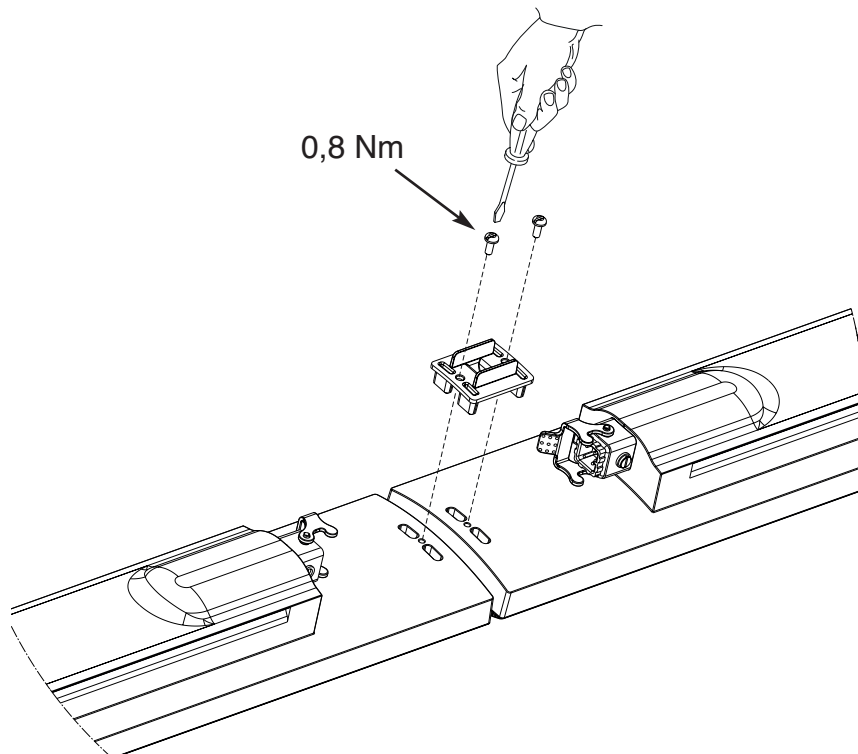


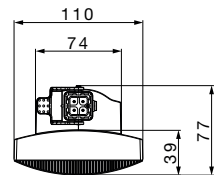
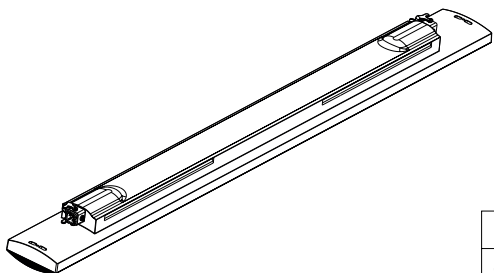
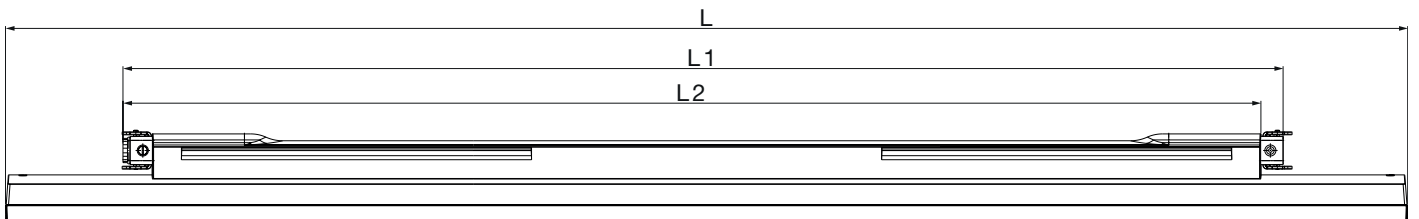
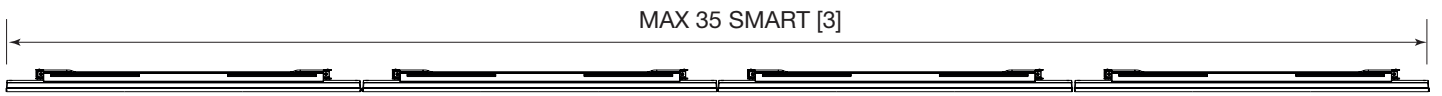
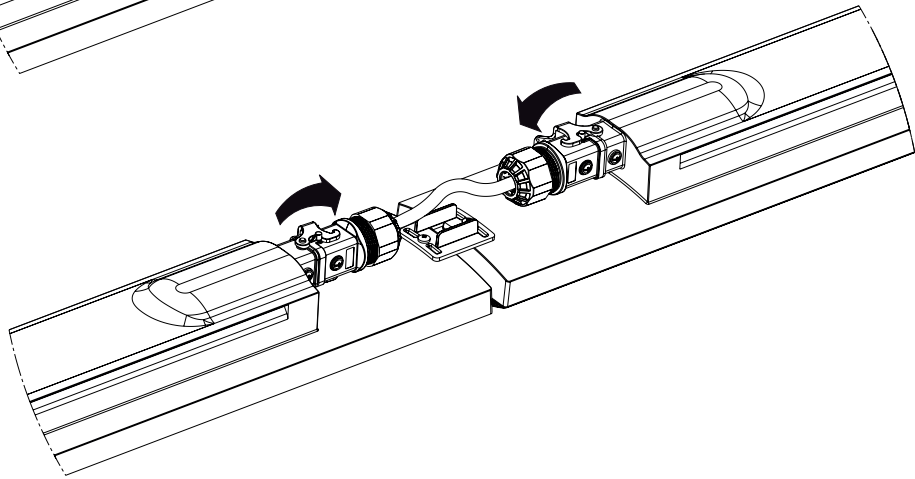
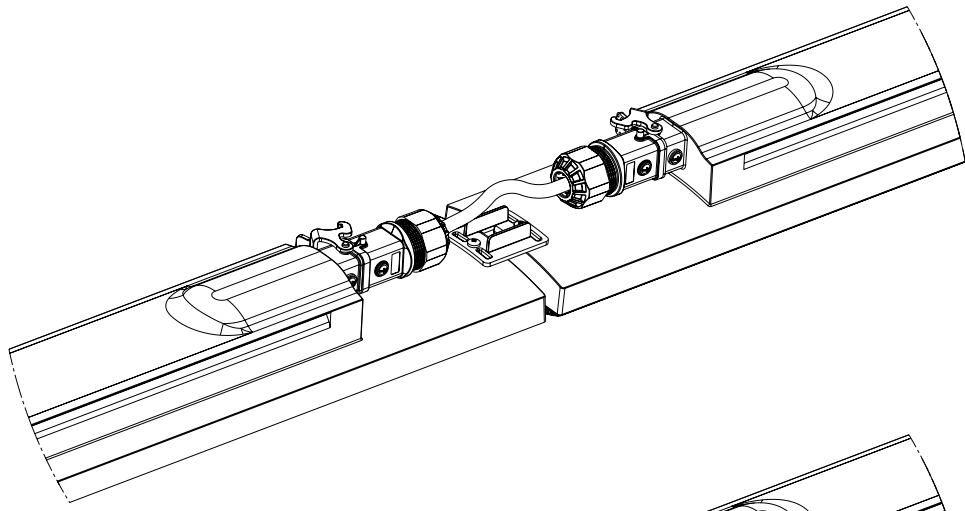






	<b>L</b>
SMART [3] 800	250÷475 mm
SMART [3] 1200	350÷910 mm
SMART [3] 1600	500÷1270 mm

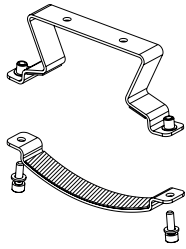




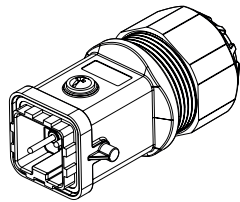
	<b>L</b>	<b>L1</b>	<b>L2</b>
SMART [3] 800	800	//	550
SMART [3] 1200	1200	//	970
SMART [3] 1600	1600	//	1370
SMART [3] 1200 LP	1200	990	//
SMART [3] 1600 LP	1600	1390	//



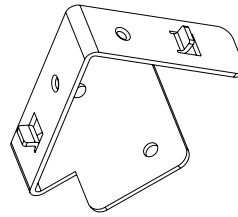
GWS3296



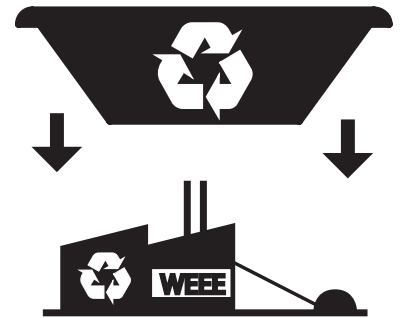
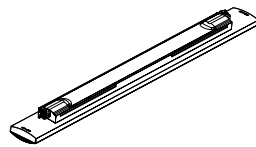
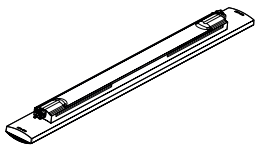
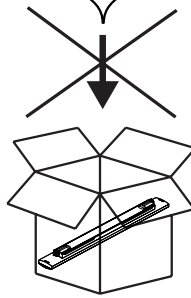
GWS3192



GWS3191



GWS3193



Punto di contatto indicato in adempimento ai fini delle direttive e regolamenti UE applicabili:  
Contact details according to the relevant European Directives and Regulations:

GEWISS S.p.A. Via A.Volta, 1 IT-24069 Cenate Sotto (BG) Italy tel: +39 035 946 111 E-mail: qualitymarks@gewiss.com



+39 035 946 111  
8.30 - 12.30 / 14.00 - 18.00  
lunedì - venerdì - monday - friday



+39 035 946 260



sat@gewiss.com  
www.gewiss.com