

**IP66**



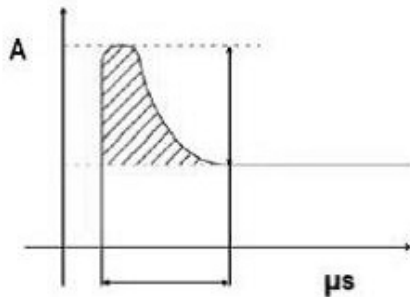
+50°C  
-25°C

$t_q +25^\circ\text{C}$

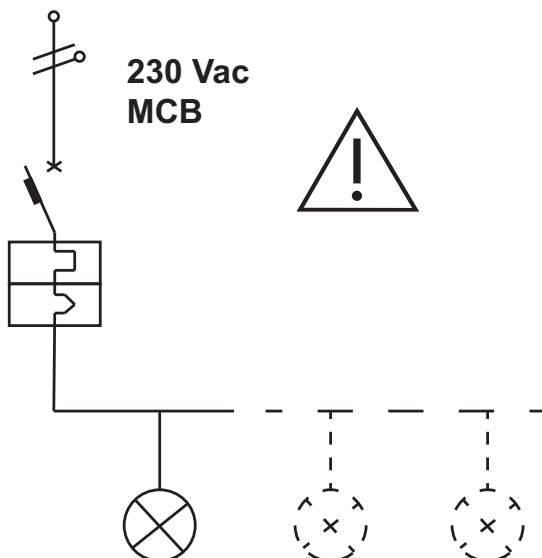


	<b>Kg</b>				<b>V</b>	<b>A</b>	<b>W</b>	$t_a$
	8.2	Max. 50 m	0.03 m <sup>2</sup>	0.1 m <sup>2</sup>	220-240 V 50/60 Hz	Max 1.4A	340W	Max 50°C*
	8.2	Max. 50 m	0.03 m <sup>2</sup>	0.1 m <sup>2</sup>	220-240 V 50/60 Hz	Max 1.1A	260W	Max 35°C




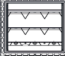




\*  $t_a > 35^\circ\text{C} \rightarrow I_{out} 1,1 \div 1,3A$

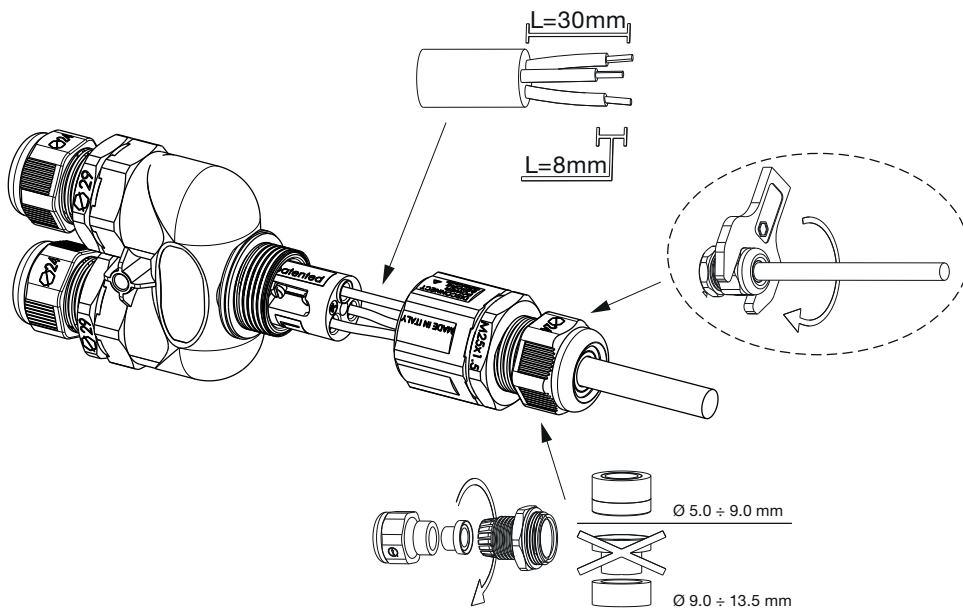
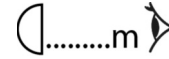


	<b>I<sub>LED</sub> (mA)</b>	<b>Inrush Current Peak and Width</b>
2x9 LED	Max 1400 mA	Max. 47A / 2,5 ms

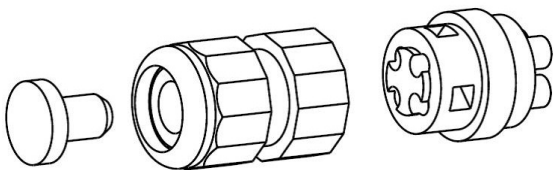


MCB Type B:	10 A	16 A	20 A	25 A
	1	2	4	6
MCB Type C:	10 A	16 A	20 A	25 A
	2	6	8	12
MCB Type D:	10 A	16 A	20 A	25 A
	6	-	-	-

LED CCT		≤ 4000 K	> 4000 K; ≤ 5700 K
Optics		RG1	RG1
 S2		9 m	11 m
 S1		7 m	8 m
 A2		7 m	9 m
 A1		6 m	7 m
 C4		20 m	24 m
 C3		16 m	20 m
 C2		14 m	18 m
 C1		10 m	14 m



## DIMMING 1-10V



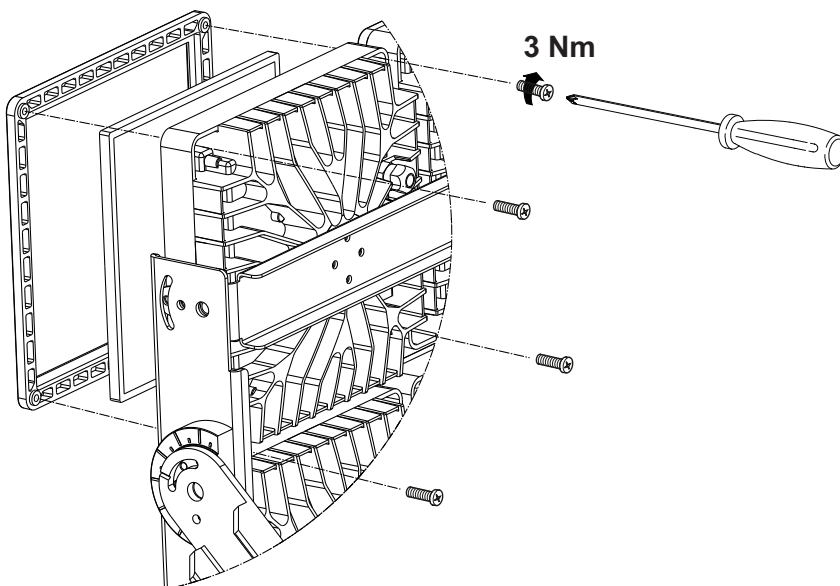
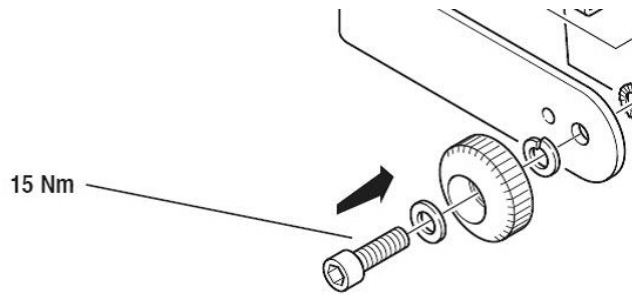
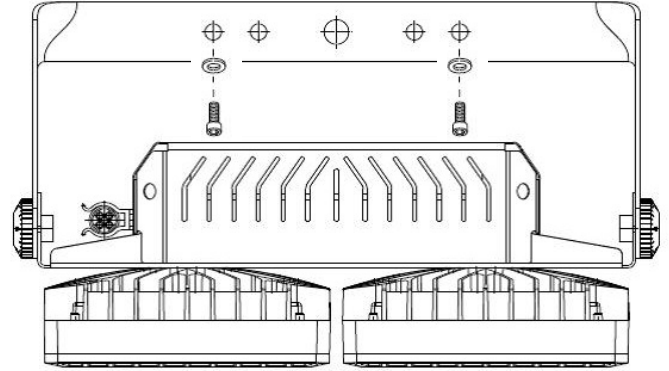
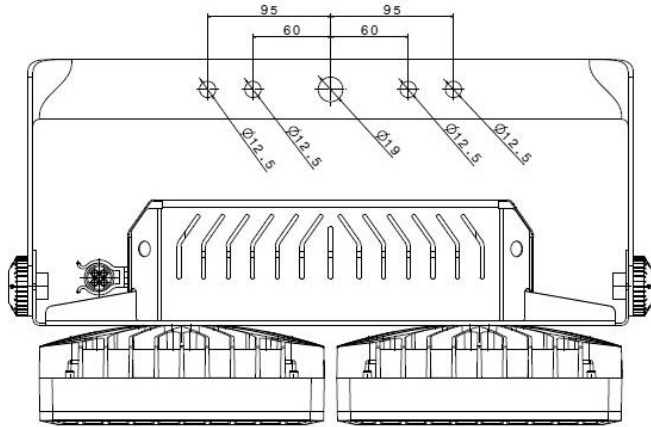
	lout	1	3
SMART PRO HL	1400 mA	R 100 KΩ	
SMART PRO HE	1100 mA	R 82 KΩ	

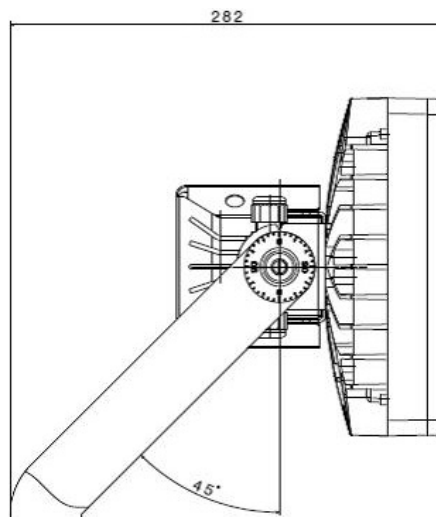
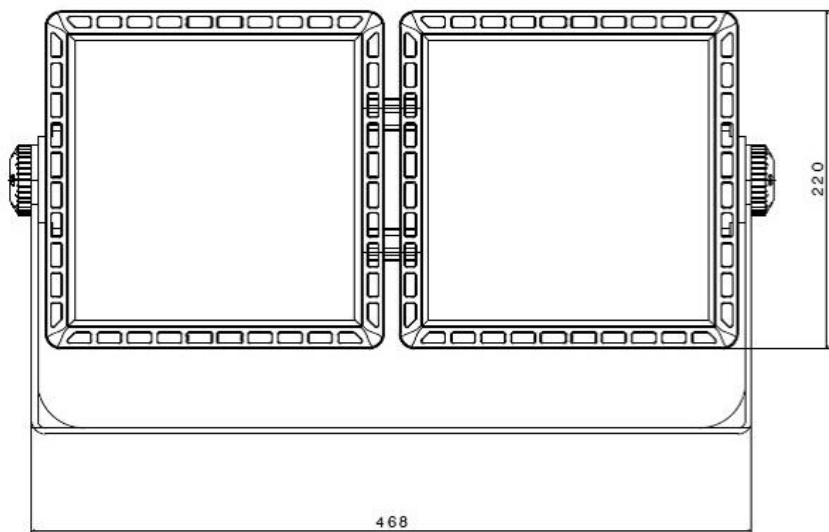


DIMMING 0÷10V

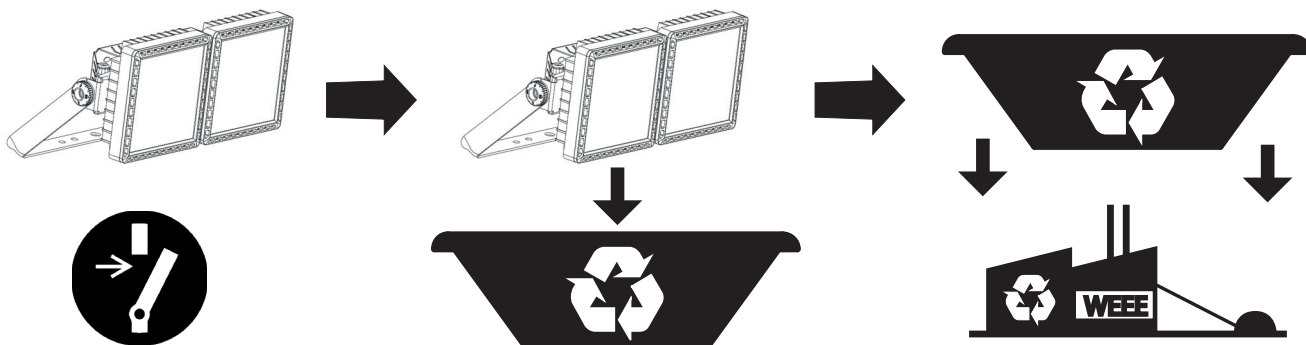
1 = +

3 = -





cod. 7.64.3.461.2



Punto di contatto indicato in adempimento ai fini delle direttive e regolamenti UE applicabili:  
Contact details according to the relevant European Directives and Regulations:

GEWISS S.p.A. Via A.Volta, 1 IT-24069 Cenate Sotto (BG) Italy tel: +39 035 946 111 E-mail: qualitymarks@gewiss.com



+39 035 946 111  
8.30 - 12.30 / 14.00 - 18.00  
lunedì ÷ venerdì - monday ÷ friday



+39 035 946 260



sat@gewiss.com  
www.gewiss.com

ULTIMA REVISIONE 01/2018