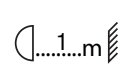
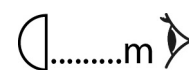


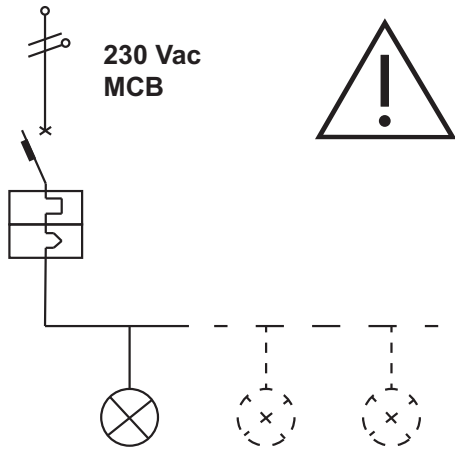
$t_q +25^{\circ}\text{C}$



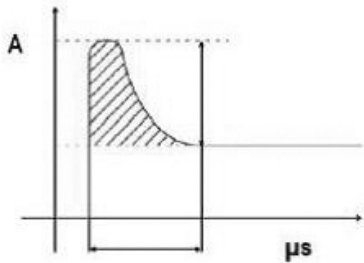
					V	A	W	t_a
	13	Max. 50 m	0.08 m ²	0.17 m ²	220-240 V 50/60 Hz	Max 0.7A	320W	Max 50°C

LED CCT		$\leq 4000\text{ K}$	$> 4000\text{ K}$ $\leq 5700\text{ K}$	
Optics		RG1	RG1	
		S1	7 m	8 m
		S2	9 m	11 m
		A1	6 m	7 m
		A2	7 m	9 m
		C4	20 m	24 m
		C3	16 m	20 m
		C2	14 m	18 m
		C1	10 m	14 m





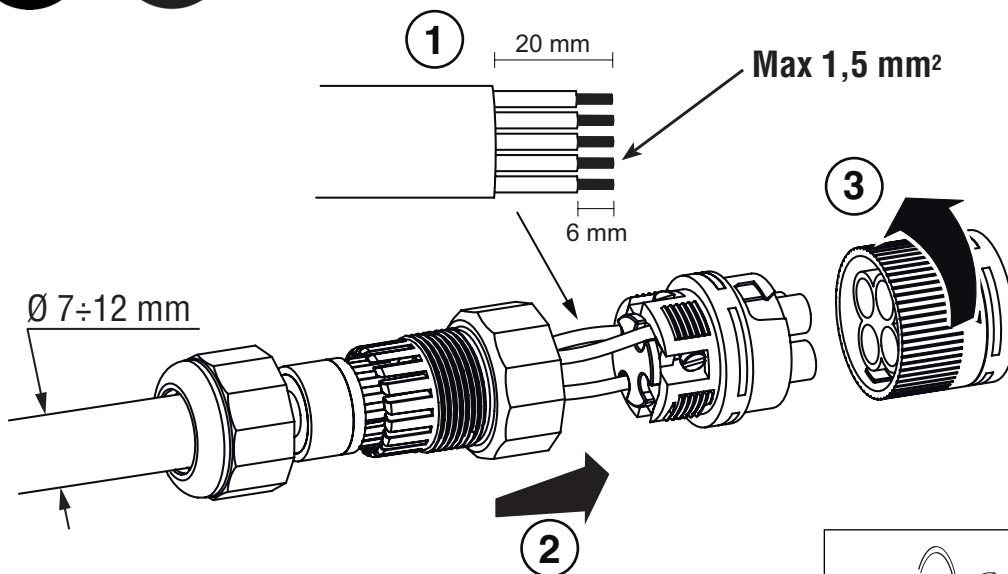
MCB Type B:	10A	16A
	1	2
MCB Type C:	10A	16A
	2	4



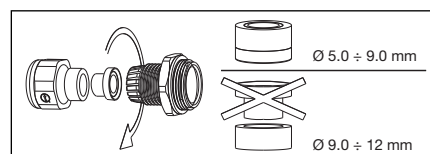
	I_{LED} (mA)	Inrush Current Peak and Width
LED	Max. 700	20A / 6ms

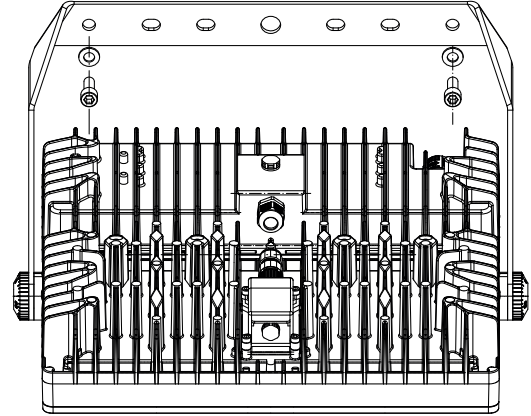
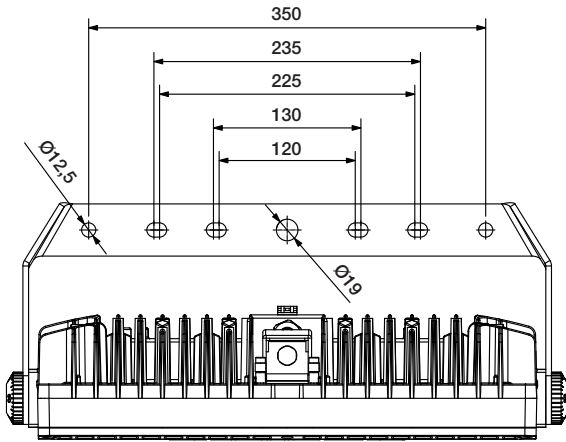


DIMMING

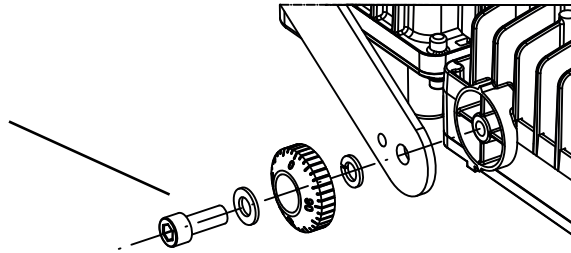


①	=	L	
③	=	N	
④	=		
②	=	+	DIMMING 0-10V
⑤	=	-	

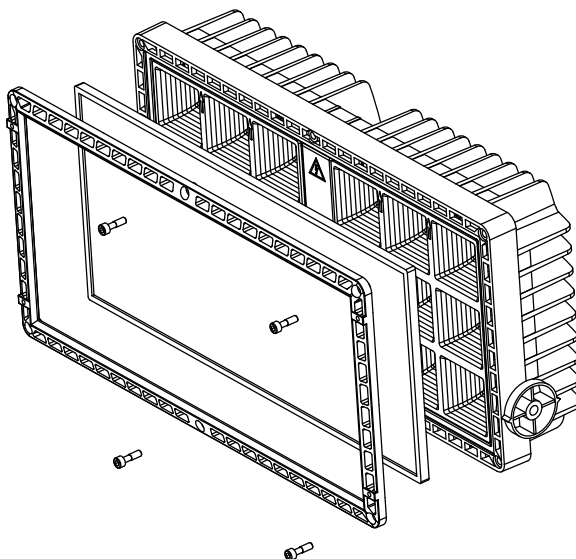


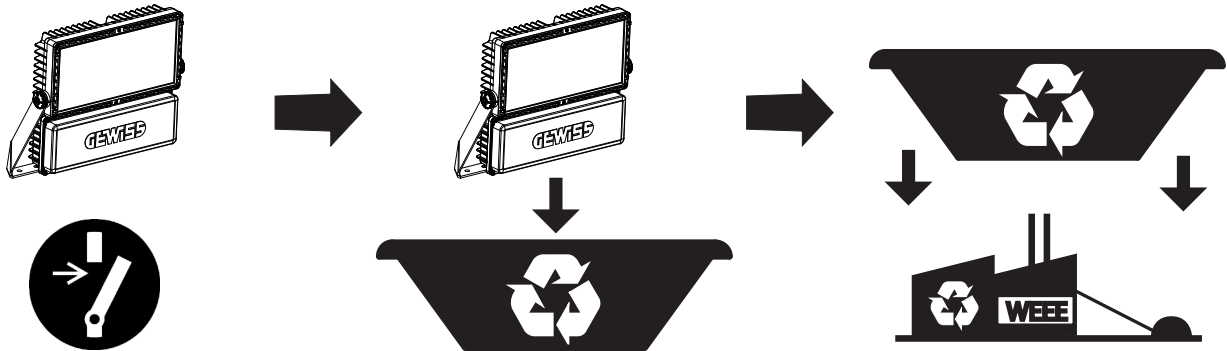
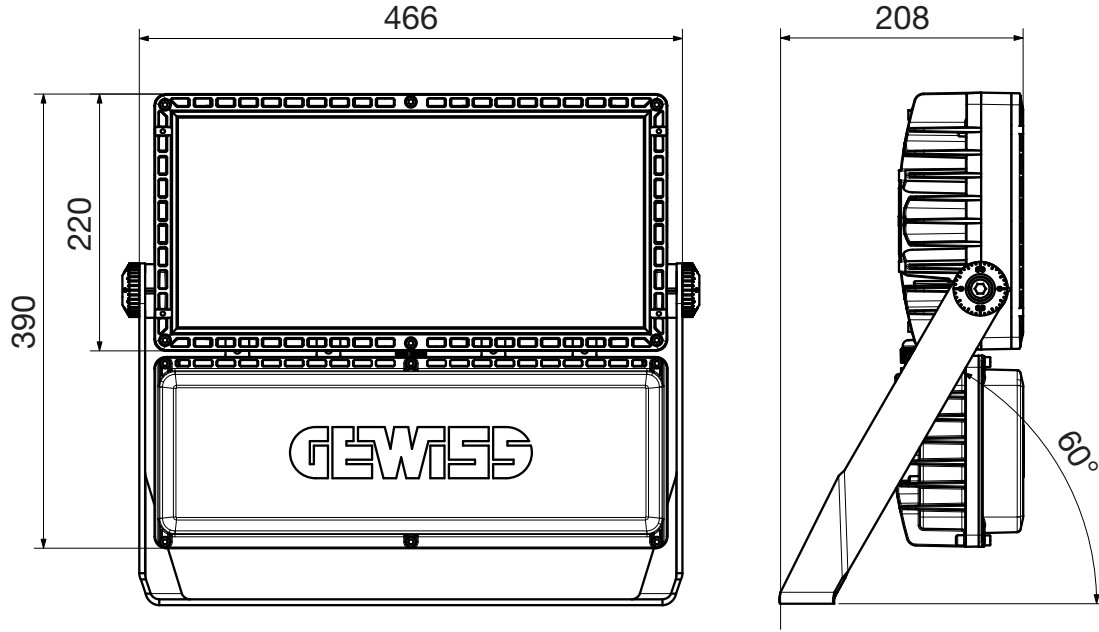


15 Nm



2 Nm





Punto di contatto indicato in adempimento ai fini delle direttive e regolamenti UE applicabili:
 Contact details according to the relevant European Directives and Regulations:

GEWISS S.p.A. Via A.Volta, 1 IT-24069 Cenate Sotto (BG) Italy tel: +39 035 946 111 E-mail: qualitymarks@gewiss.com



+39 035 946 111
 8.30 - 12.30 / 14.00 - 18.00
 lunedì - venerdì - monday - friday



+39 035 946 260



sat@gewiss.com
 www.gewiss.com