

LST PV T2/LST PV T1+T2



GW44137S2 - GW44138S2 - GW44139S2

T2	TYPE 2
	IEC/EN 61643-31

I_{max}	40 kA	
I_{scpv}	10 kA	
MCOV	600Vdc	1000Vdc
U_{cpv}	660Vdc	1060Vdc
T_a	-25°C...+60°C	
IP	56	
IPE [AC]	< 500 µA	
IPE [DC]	< 50 µA	
ICPV	< 50 µA	
SPD failure mode	OCM	

GW44137S12 - GW44138S12 - GW44139S12

T1	+	T2	TYPE 1+2
			IEC/EN 61643-31

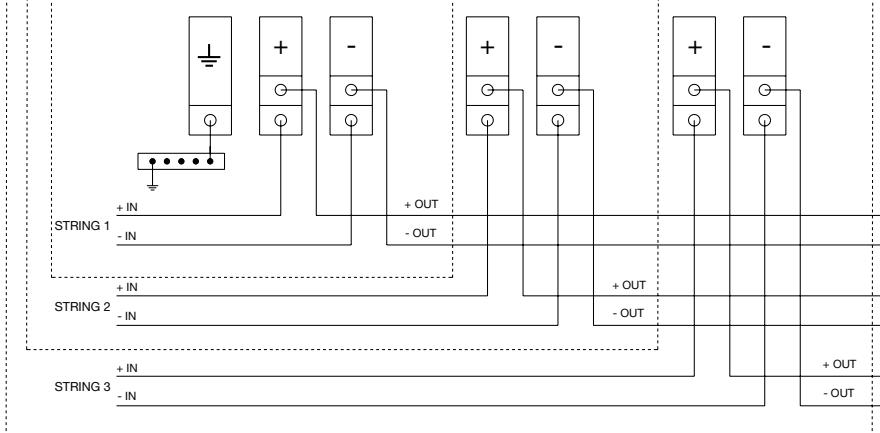
I_{imp}	5 kA
I_{max}	40 kA
I_{scpv}	10 kA
MCOV	1000Vdc
U_{cpv}	1060Vdc
T_a	-25°C...+60°C
IP	56
IPE [AC]	< 500 µA
IPE [DC]	< 50 µA
ICPV	< 50 µA
SPD failure mode	OCM

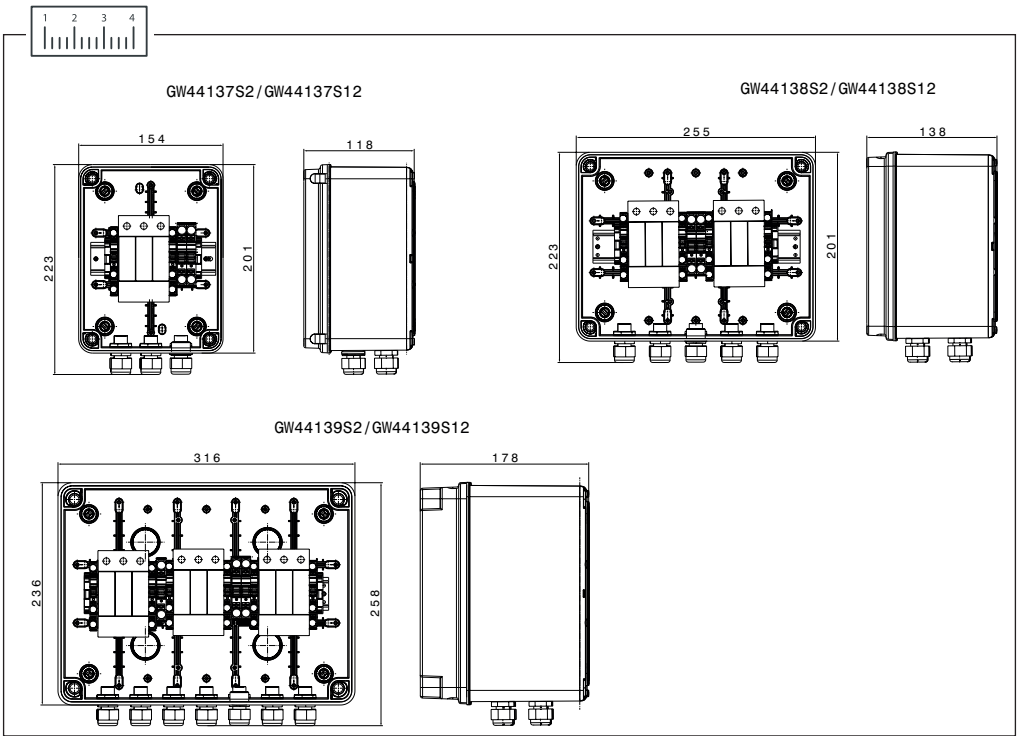
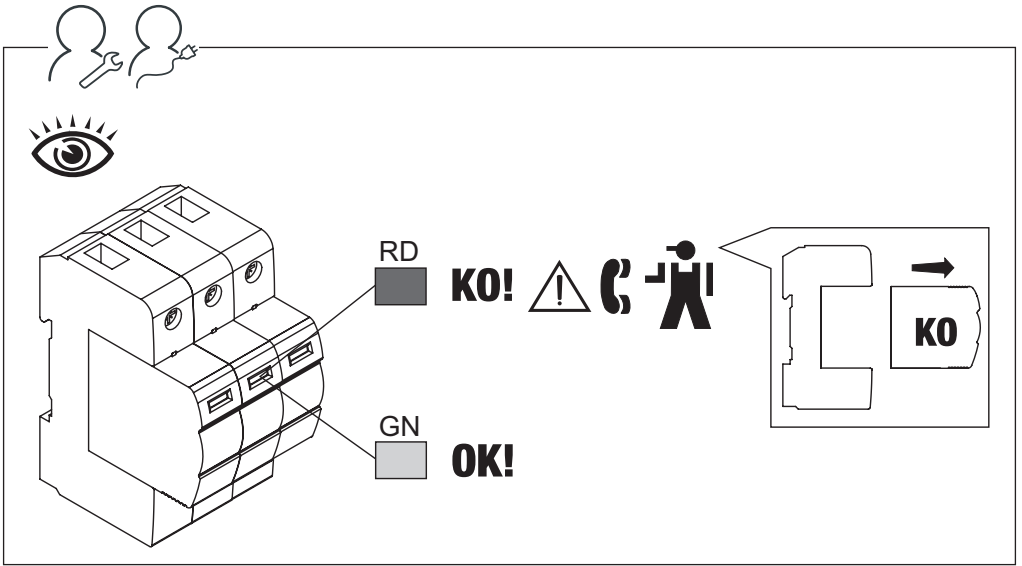


GW44139S2 - GW44139S12

GW44138S2 - GW44138S12

GW44137S2 - GW44137S12





Punto di contatto indicato in adempimento ai fini delle direttive e regolamenti UE applicabili:
 Contact details according to the relevant European Directives and Regulations:
 GEWISS S.p.A. Via D.Bosattelli, 1 IT-24069 Cenate Sotto (BG) Italy tel: +39 035 946 111 E-mail: qualitymarks@gewiss.com

According to applicable UK regulations, the company responsible for placing the goods in UK market is:
 GEWISS UK LTD - Unity House, Compass Point Business Park, 9 Stocks Bridge Way, ST IVES
 Cambridgeshire, PE27 5JL, United Kingdom tel: +44 1954 712757 E-mail: gewiss-uk@gewiss.com



+39 035 946 111

8:30 - 12:30 / 14:00 - 18:00

lunedì - venerdì / monday - friday



www.gewiss.com

