
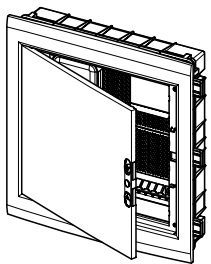


**GW 40 390 F**

CEI 306-2
EN 60670-1
EN 60670-24
CEI 23-50
IEC 60884-1

EN 60529	IP40
EN 62262	IK08
EN 60695-10-2	70°C
EN 69695-2-11	GWT 650°C - GWT 850°C


Pde	50W
Un	250V
Ui	750V
EN50267-2-2	Halogen free
	$-15^{\circ}\text{C} \leq T \leq +60^{\circ}\text{C}$




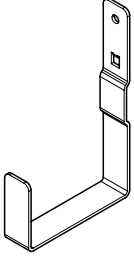
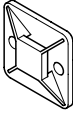
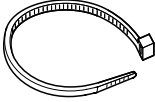

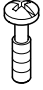
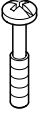
**GW 40 390 C**


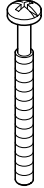
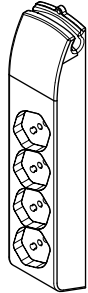




CEI 306-2
EN 60670-1
EN 60670-24
CEI 23-50
IEC 60884-1





EN 60529	IP40
EN 62262	IK08
EN 60695-10-2	70°C
EN 69695-2-11	GWT 650°C - GWT 850°C

Pde	40W
Un	250V
Ui	750V
EN50267-2-2	Halogen free
	$-15^{\circ}\text{C} \leq T \leq +60^{\circ}\text{C}$



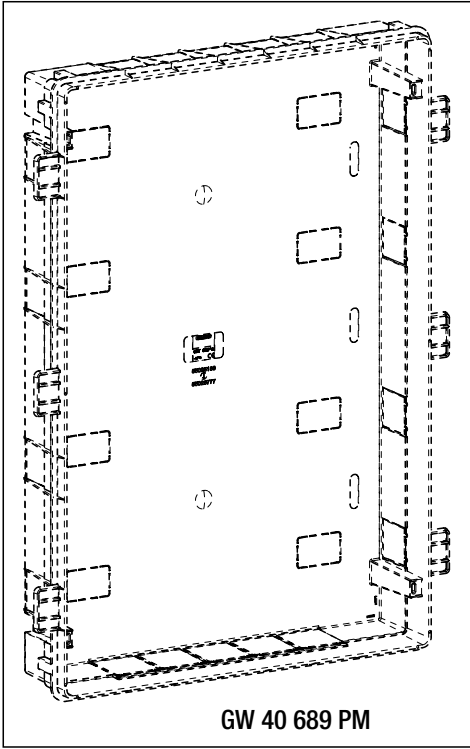
	4x10					3,5x16	3,5x22
							
	A	B	C	D	E	F	G
<b>GW 40 390 F</b>	24	6	6	6	3	4	
<b>GW 40 390 C</b>	16	4	4	4	2		4

		4x45					
							
	H	I	L	M	N	O	P
<b>GW 40 390 F</b>	8	4	1		6	1	1
<b>GW 40 390 C</b>	8	4		5			1

			
<b>GW 38 311</b>	<b>GW 38 338</b> GW 38 341 - 15m GW 38 342 - 30m GW 38 343 - 50m GW 38 344 - 65m	<b>GW 38 097</b>	<b>GW 38 098</b>

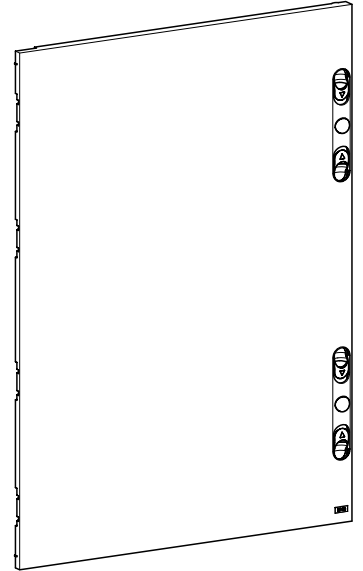
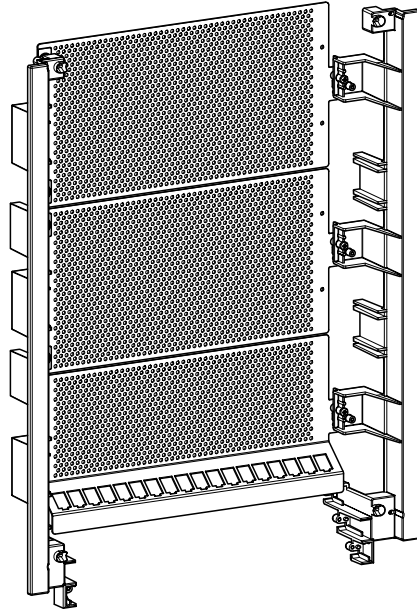


# GW 40 390 F

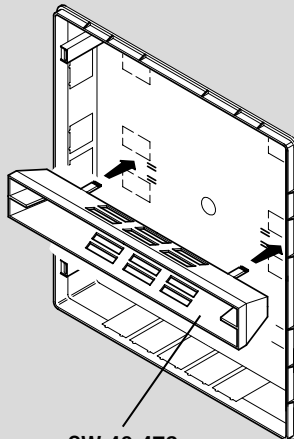
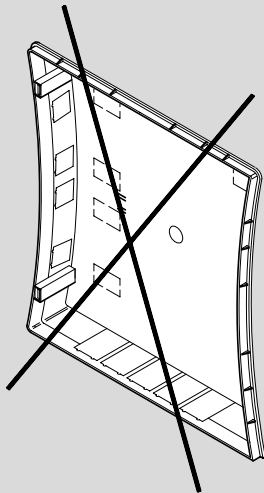


GW 40 689 PM

GWT 850°C



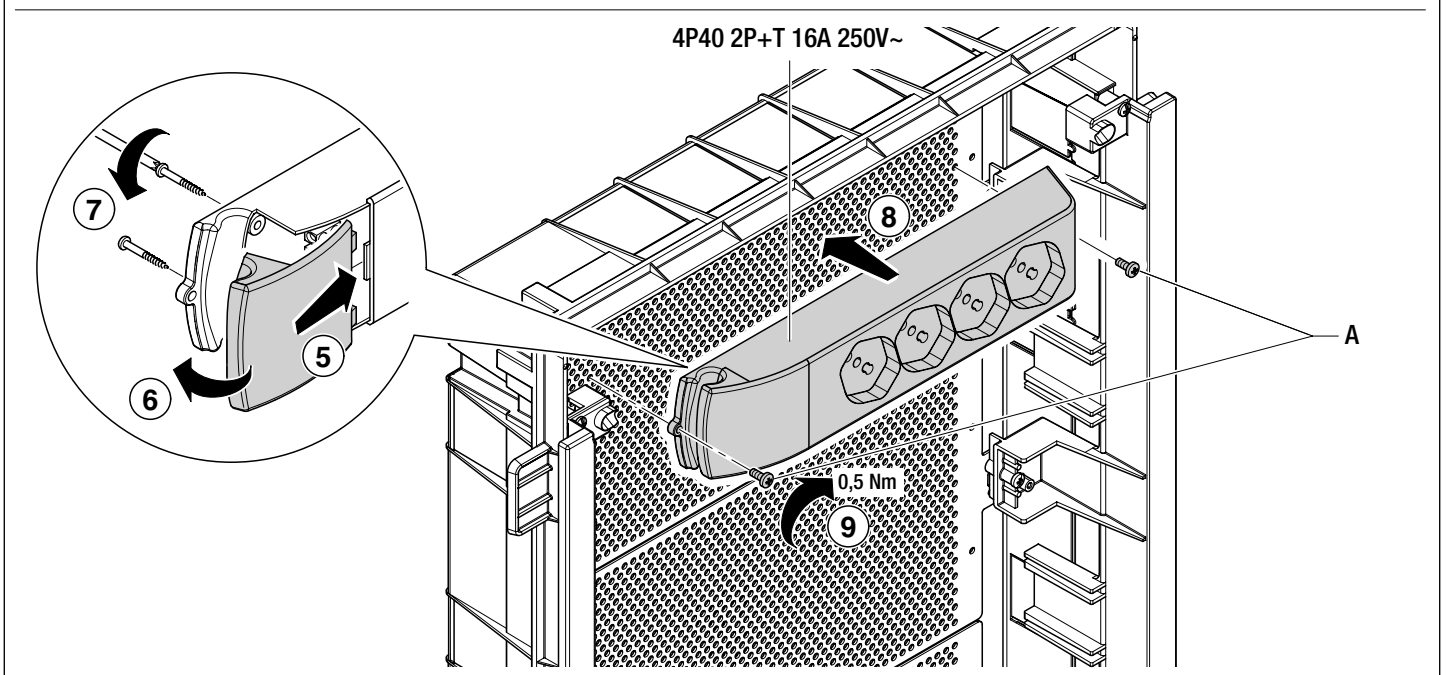
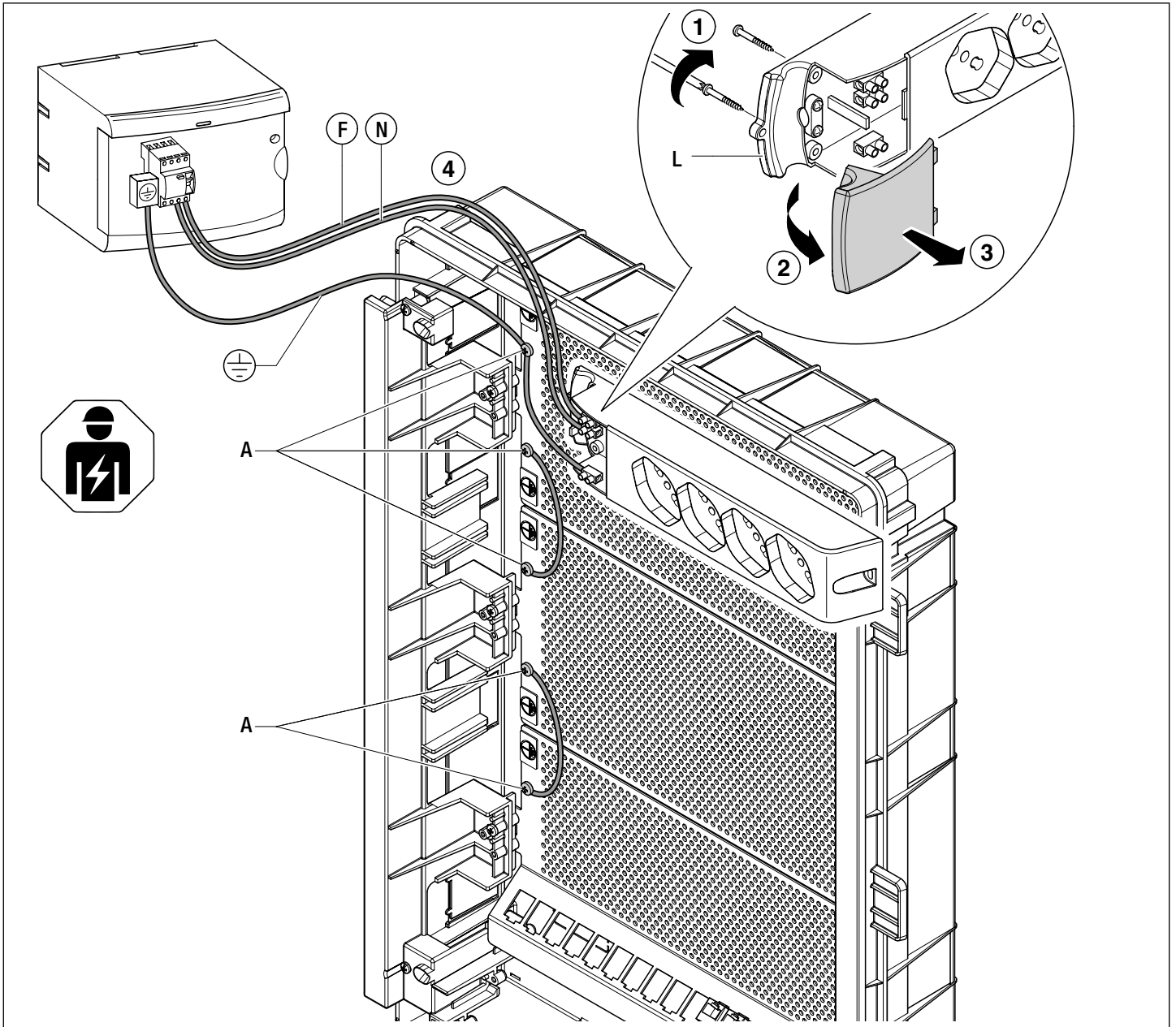
GWT 650°C



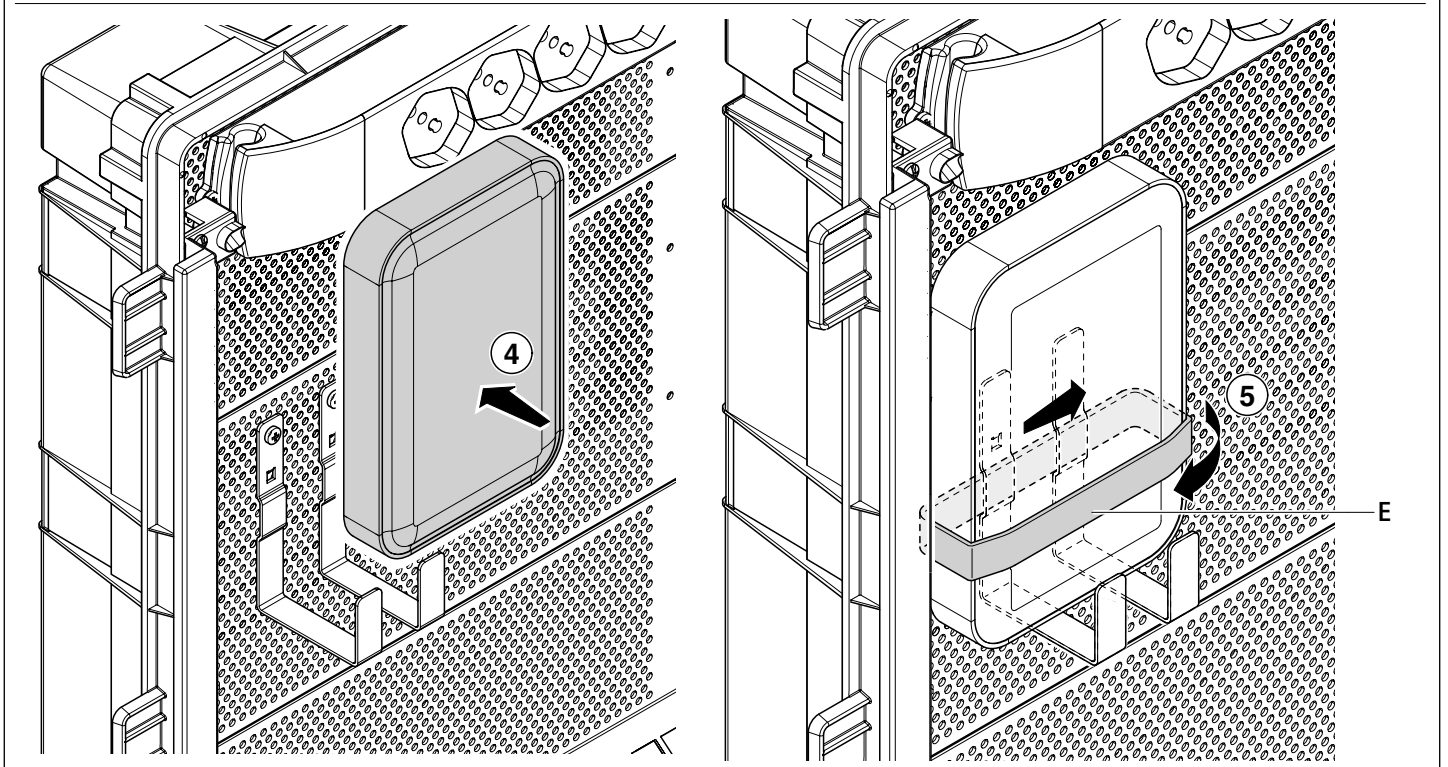
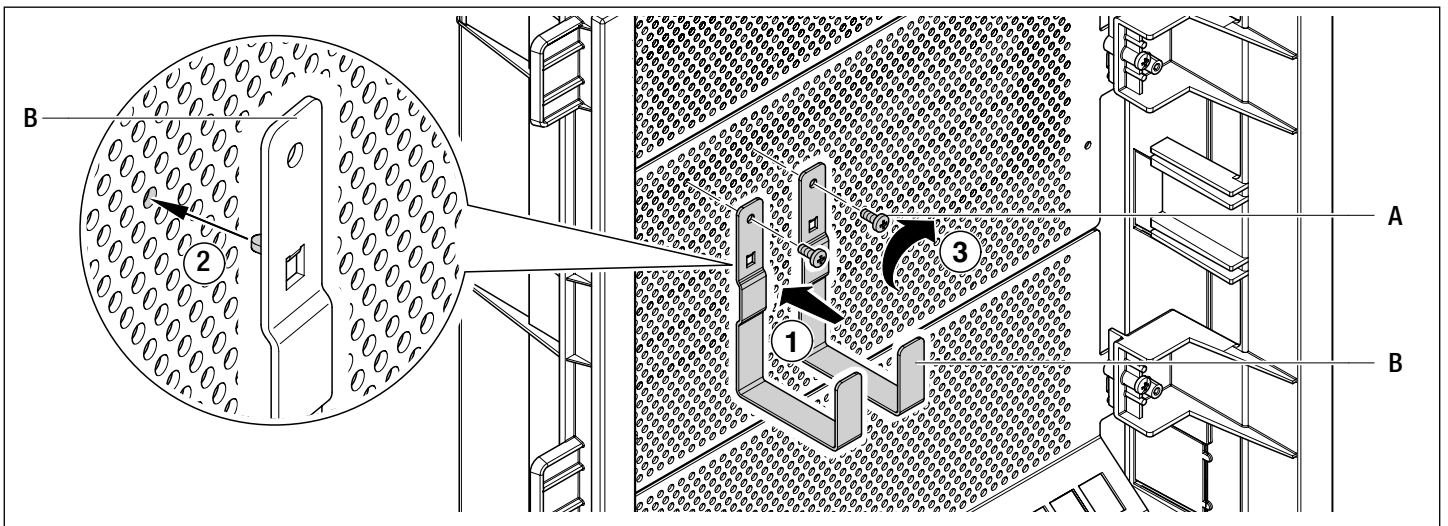
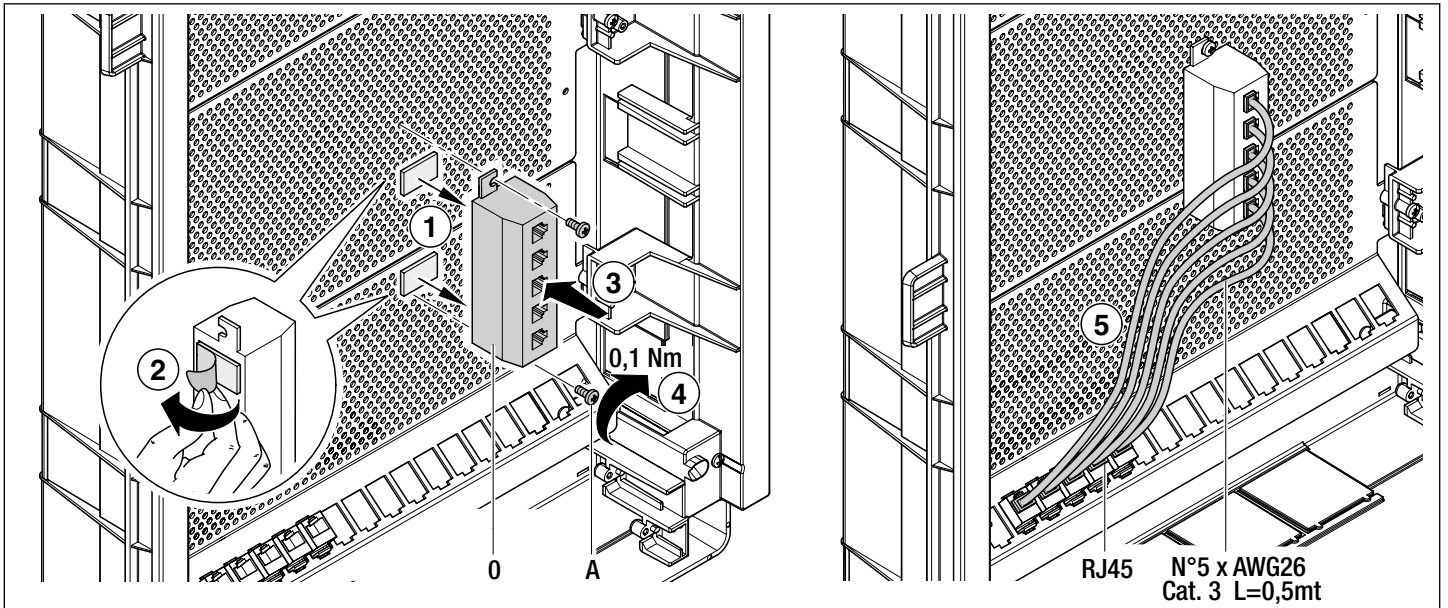
GW 40 479



# GW 40 390 F

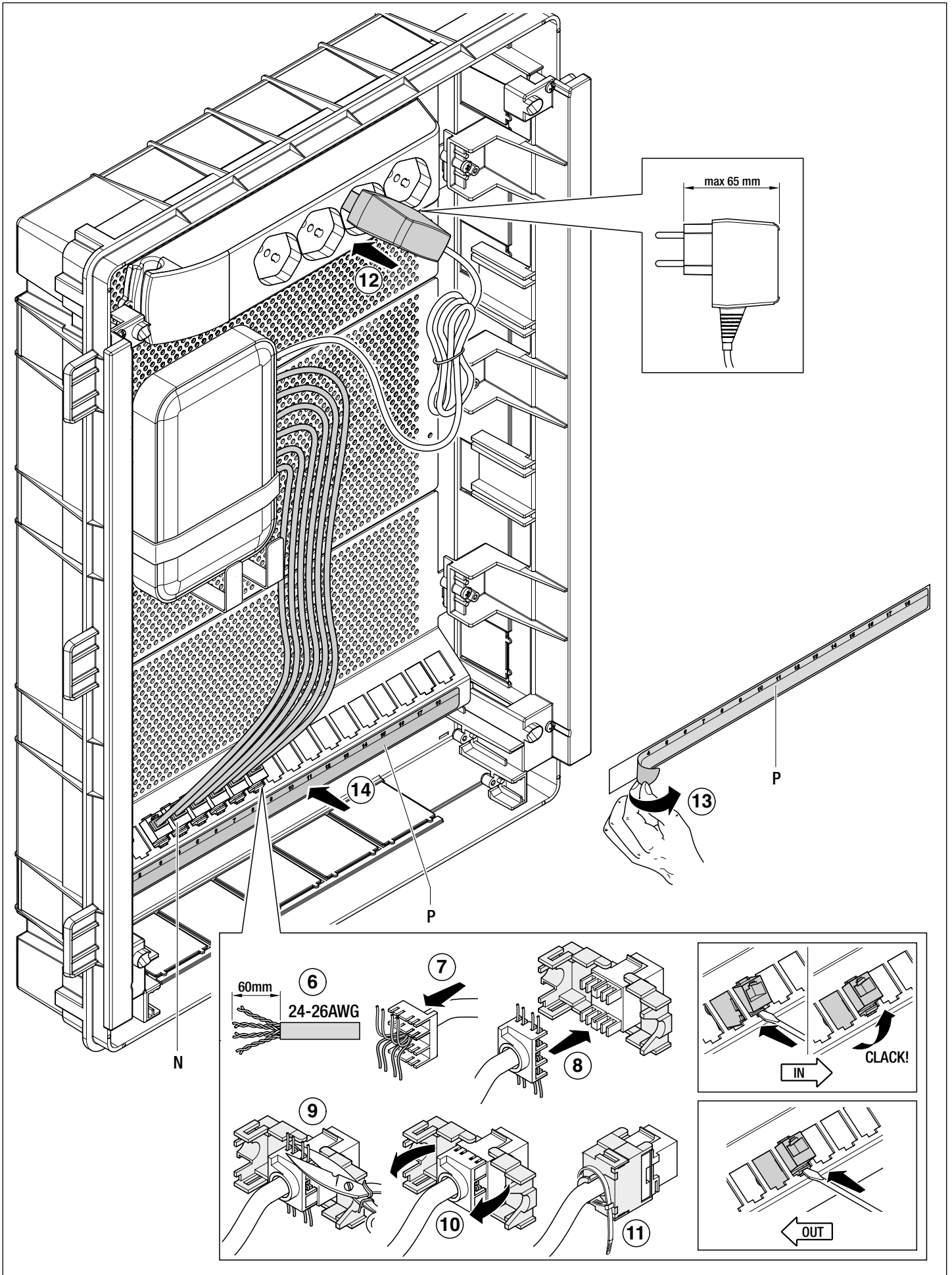






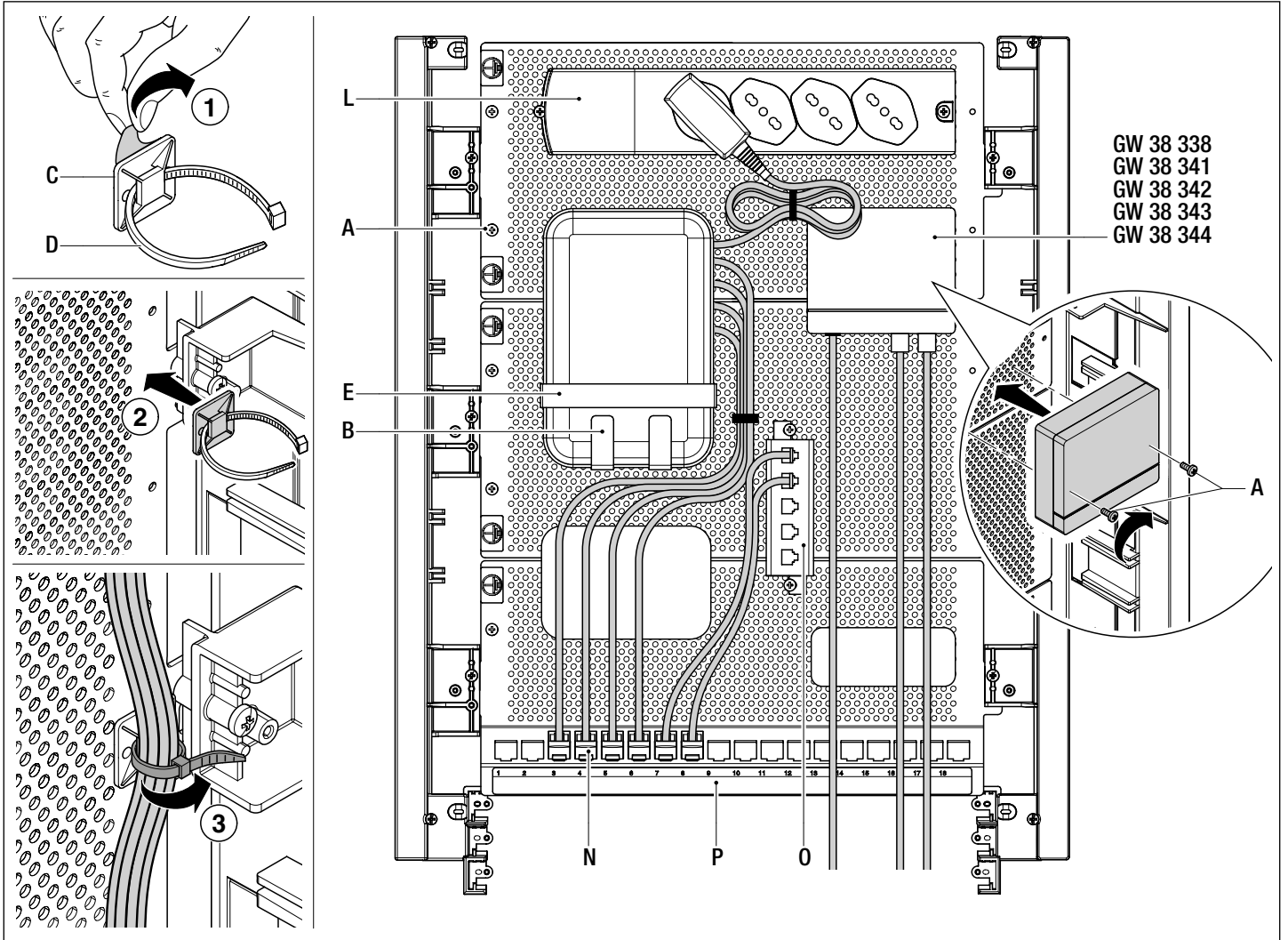


# GW 40 390 F

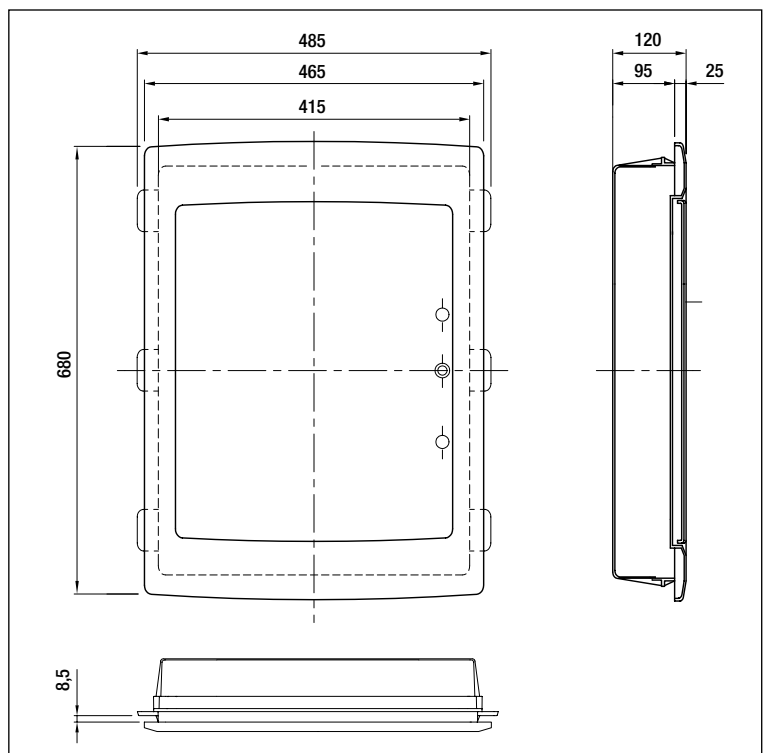
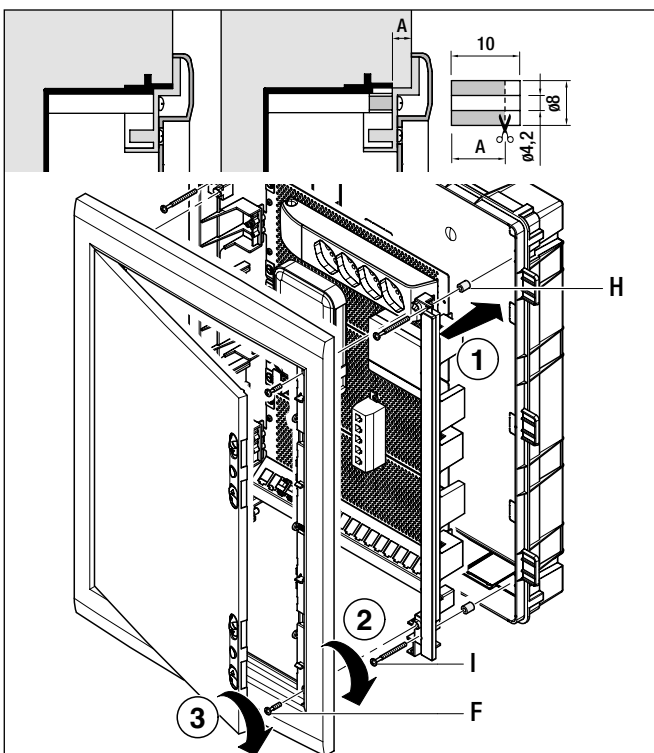




# GW 40 390 F



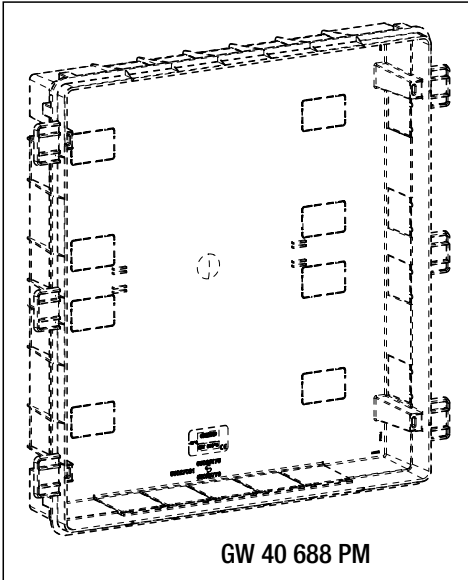
# GW 40 390 F





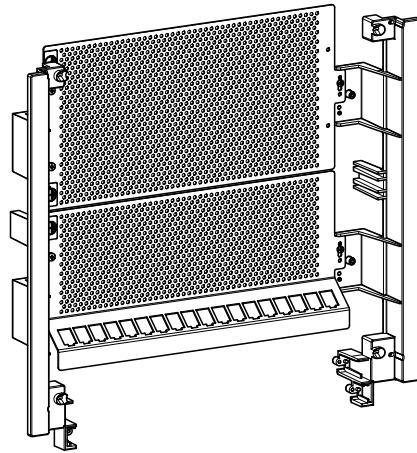


# GW 40 390 C

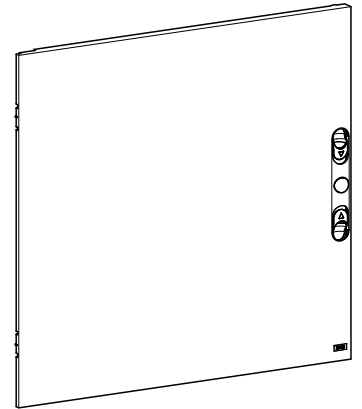


GW 40 688 PM

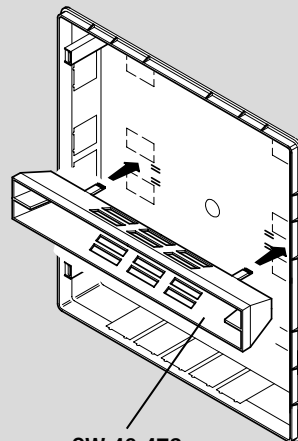
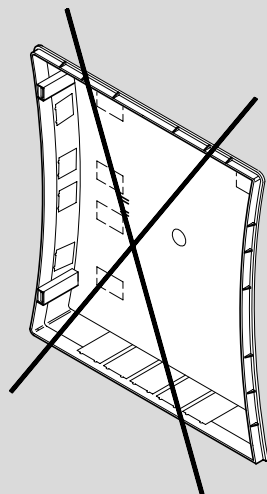
GWT 850°C

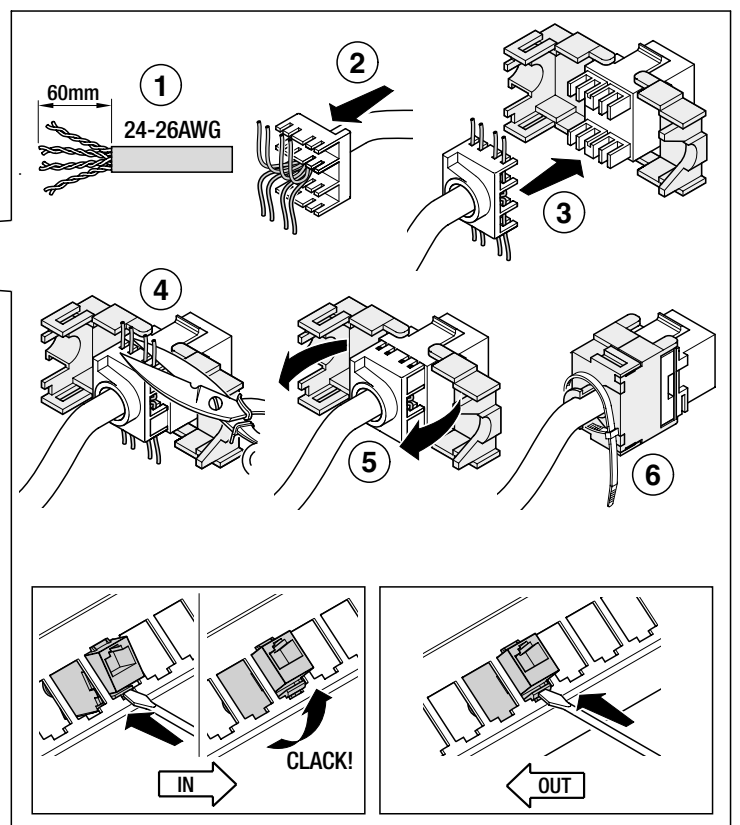
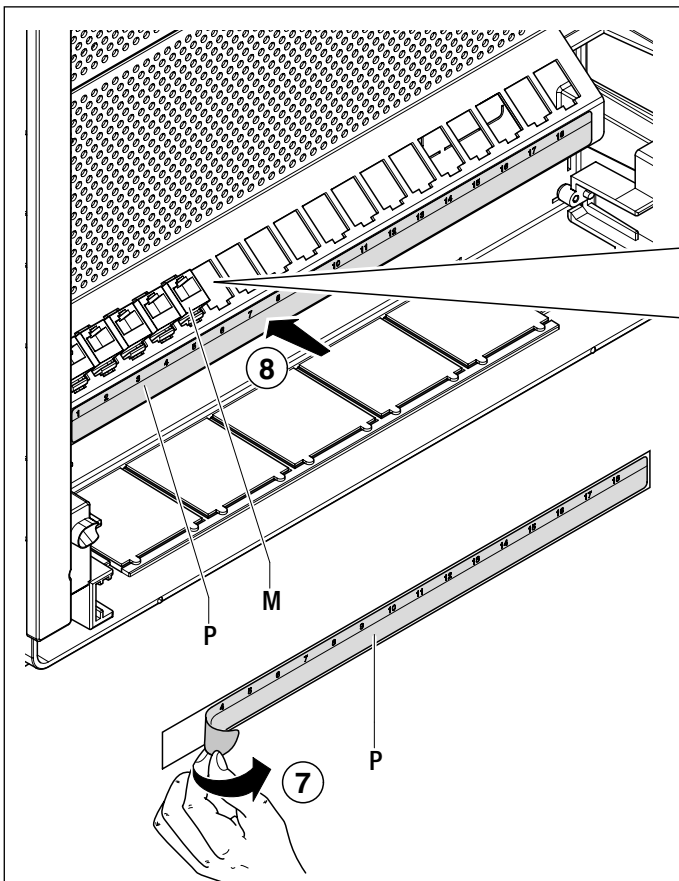
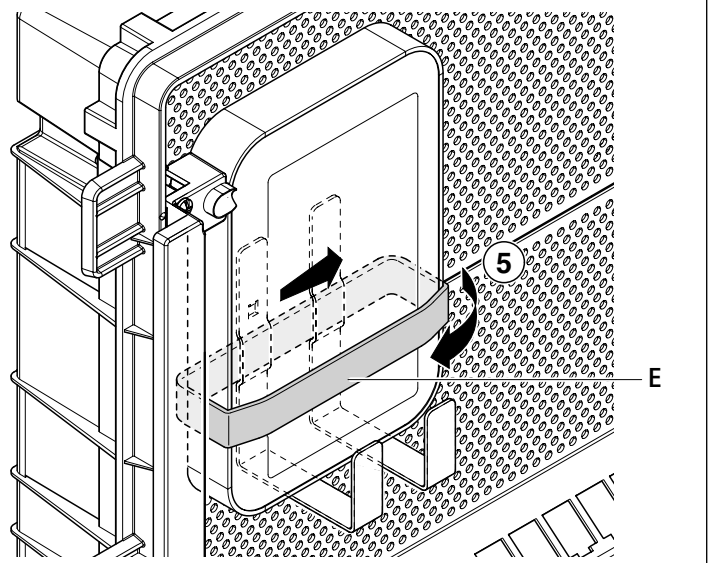
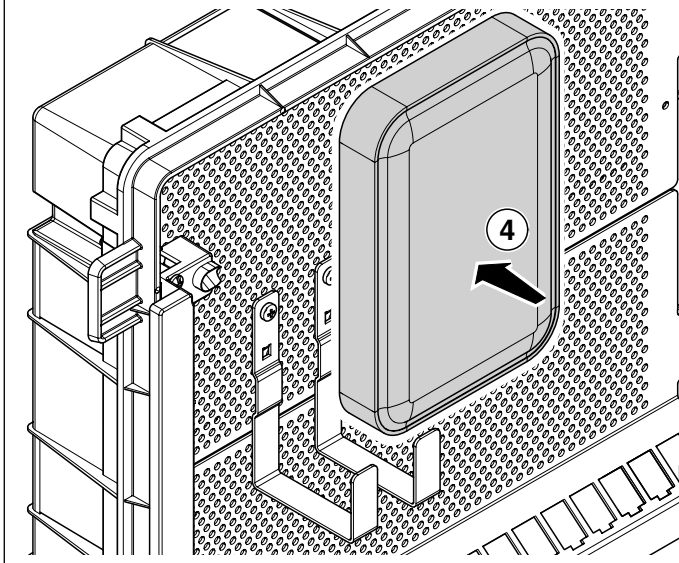
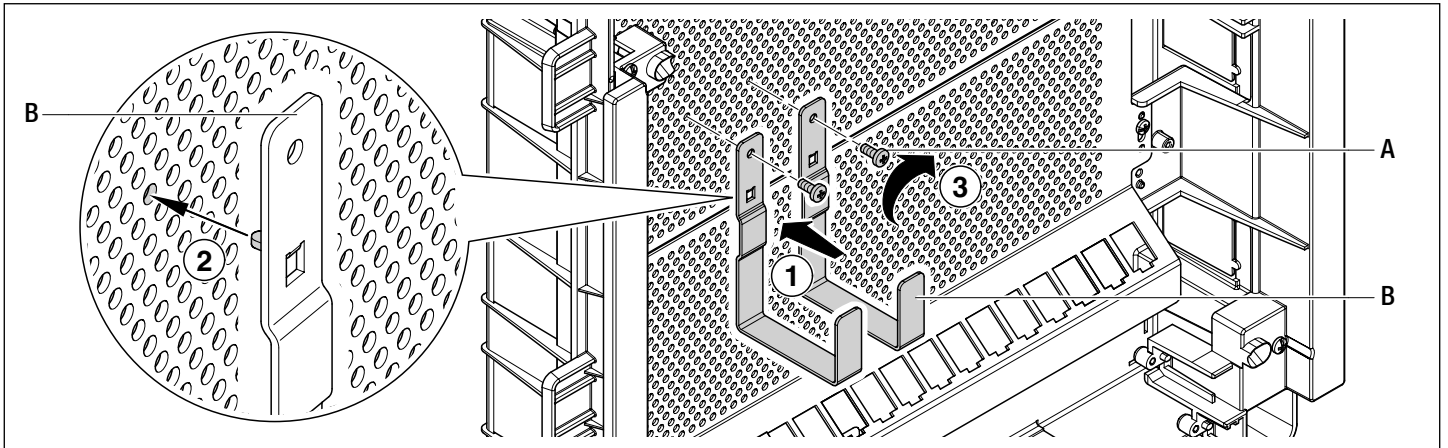


GW 40 479



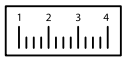
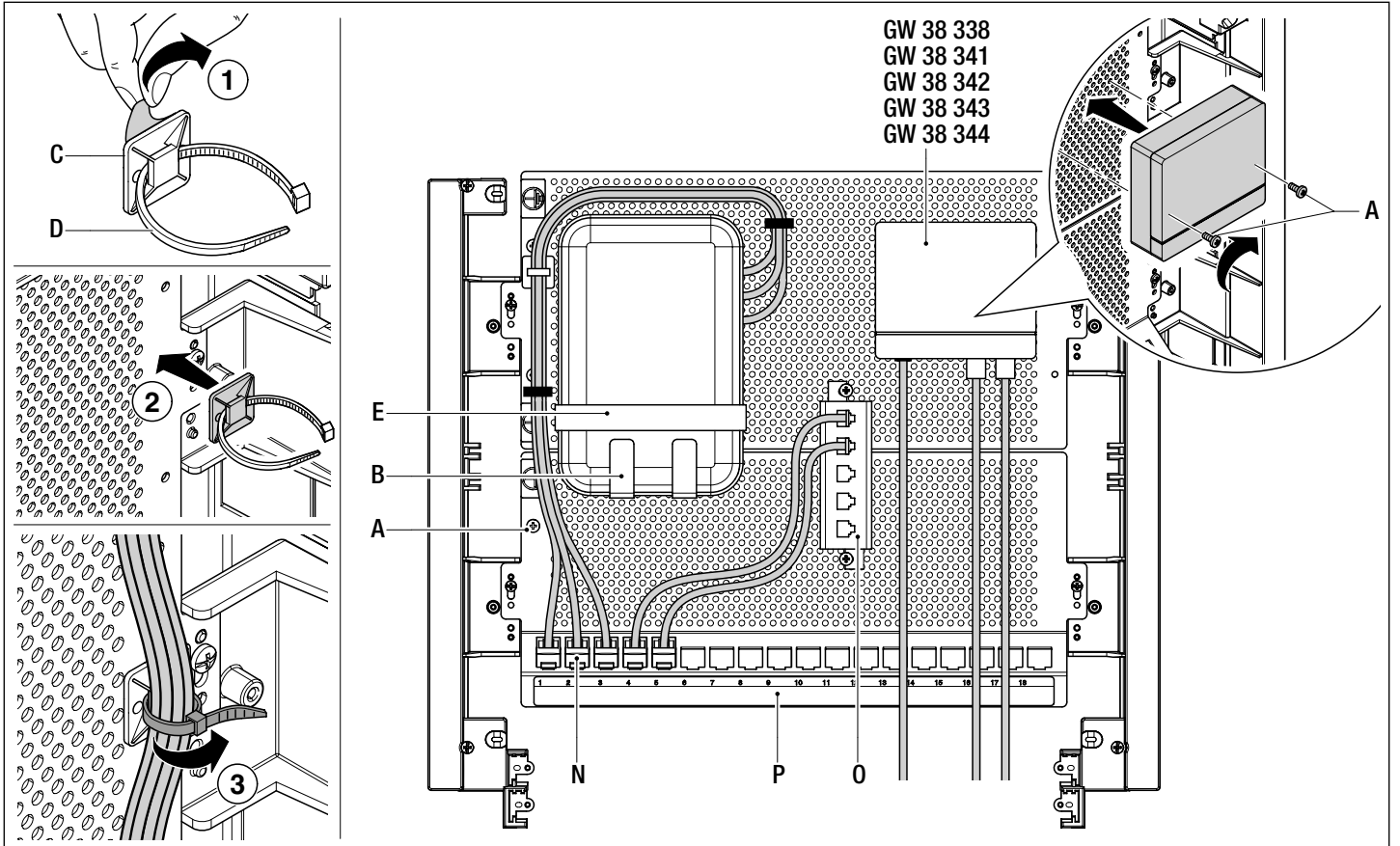
GWT 650°C



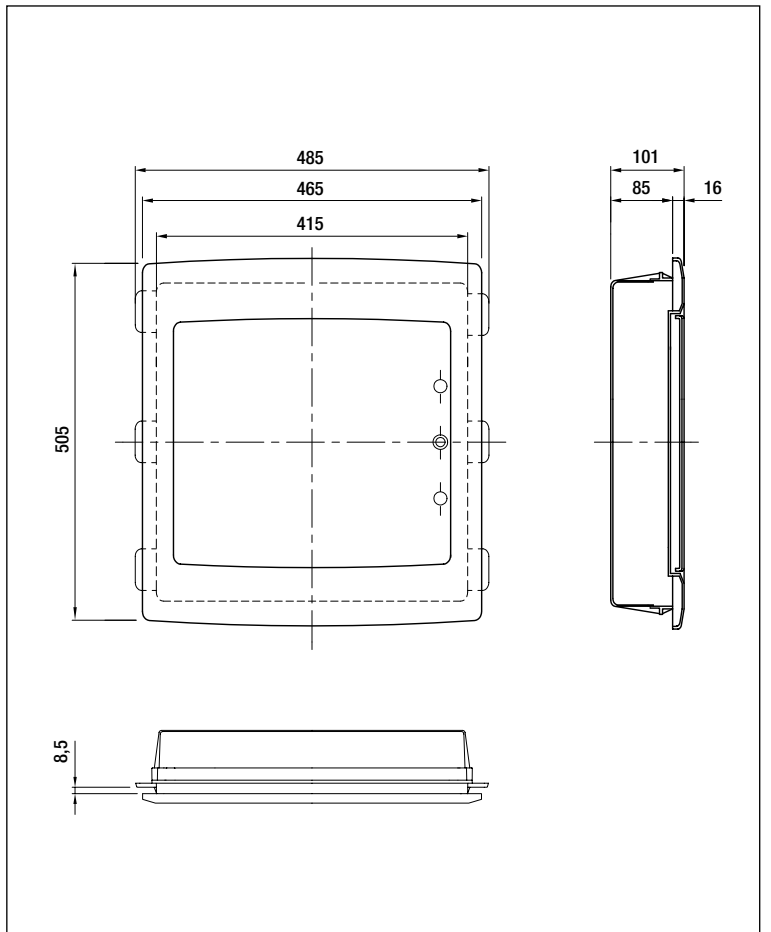
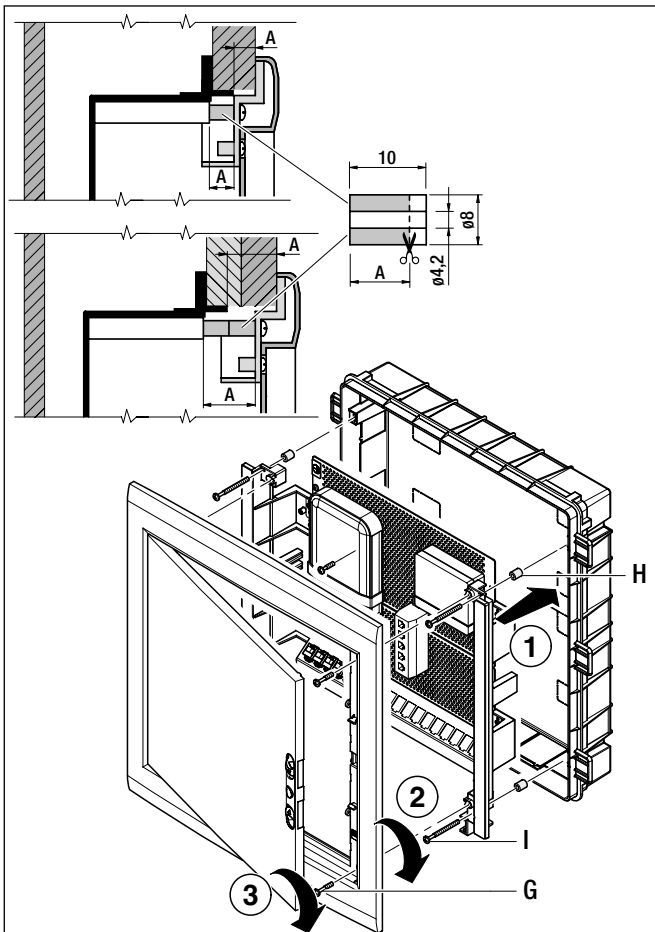




# GW 40 390 C



# GW 40 390 C







Ai sensi delle Decisioni e delle Direttive Europee applicabili, si informa che il responsabile dell'immissione del prodotto sul mercato Comunitario è:

*According to the applicable Decisions and European Directives, the responsible for placing the apparatus on the Community market is:*

**GEWISS S.p.A. Via A.Volta, 1 IT-24069 Cenate Sotto (BG) Italy Tel: +39 035 946 111 Fax: +39 035 946 270 E-mail: qualitymarks@gewiss.com**



**+39 035 946 111**

8.30 - 12.30 / 14.00 - 18.00  
lunedì + venerdì - monday + friday



**+39 035 946 260**



**sat@gewiss.com**  
**www.gewiss.com**