
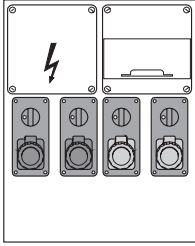
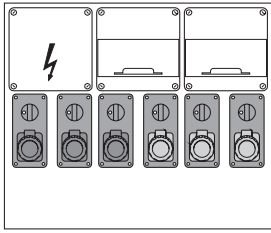
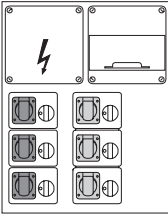
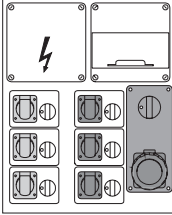
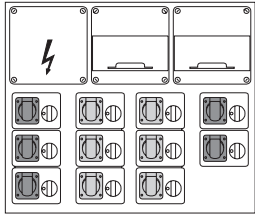
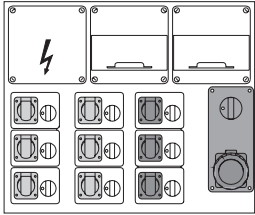
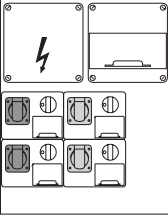
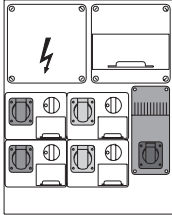
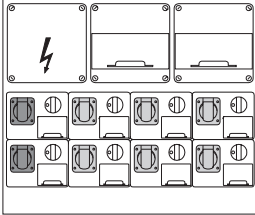
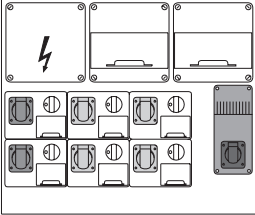
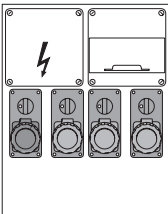
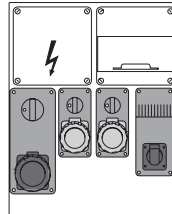
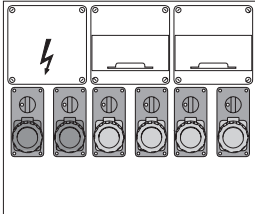
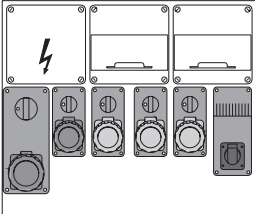
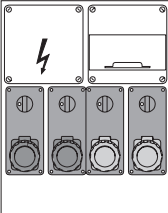
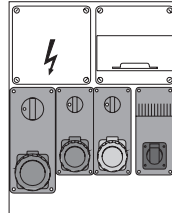
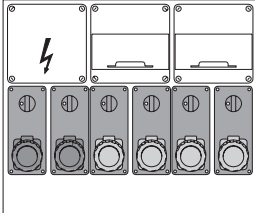
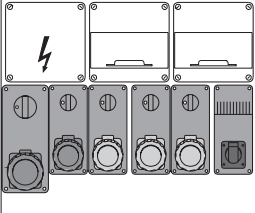
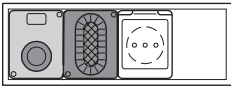
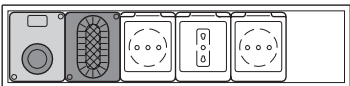


**GW 68 465**



	Q-BOX 4 GW 68 465		Q-BOX 6 GW 68 466		
	 <p>4 x 16 A IP 67 GW 68 481 - GW 68 482</p>		 <p>5 x 16 A IP 67 1 x 32 A IP 67 GW 68 471 - GW 68 472 6 x 16 A IP 67 SBF GW 68 473</p>		
	 <p>6 x 16/32 A IP 44 SBF</p>	 <p>6 x 16/32 A IP 44 SBF 1 x 63 A IP 67</p>	 <p>11 x 16/32 A IP 44 SBF</p>	 <p>9 x 16/32 A IP 44 SBF 1 x 63 A IP 67</p>	
	 <p>4 x 16/32 A IP 44 CBF</p>	 <p>4 x 16/32 A IP 44 CBF 1 x 220/24 V IP 67 SELV</p>	 <p>8 x 16/32 A IP 44 CBF</p>	 <p>6 x 16/32 A IP 44 CBF 1 x 220/24 V IP 67 SELV</p>	
	 <p>4 x 16/32 A IP 67</p>	 <p>2 x 16/32 A IP 67 1 x 63 A IP 67 1 x 220/24 V IP 67 SELV</p>	 <p>6 x 16/32 A IP 67</p>	 <p>4 x 16/32 A IP 67 1 x 63 A IP 67 1 x 220/24 V IP 67 SELV</p>	
	 <p>4 x 16/32 A IP 67</p>	 <p>2 x 16/32 A IP 67 1 x 63 A IP 67 1 x 220/24 V IP 67 SELV</p>	 <p>6 x 16/32 A IP 67</p>	 <p>4 x 16/32 A IP 67 1 x 63 A IP 67 1 x 220/24 V IP 67 SELV</p>	
					



1		1
2		1
3		1
4		1
5		1
6		1
7		1
8		1

KIT A		
1A	TC M6X16	24
2A		20
3A	M6	10
4A	4x32	2

KIT B		
1B	Ø20	1
2B	Ø32	7
3B	PG21	1
4B	PG21	1
5B	PG36	1
6B	PG36	1
7B	PG29/36	1
8B	PG21	1
9B	PG29	1
10B	PG36	1
11B	PG42	1

KIT C		
1C		1
2C		1
3C		1


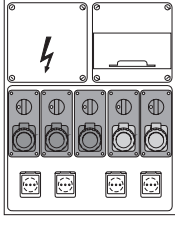
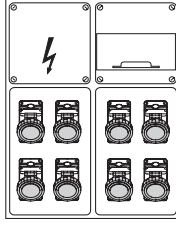
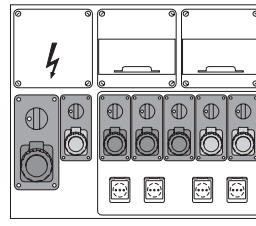
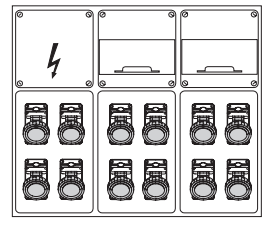
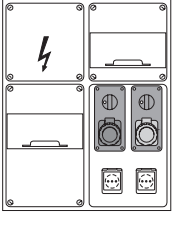
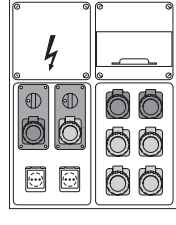
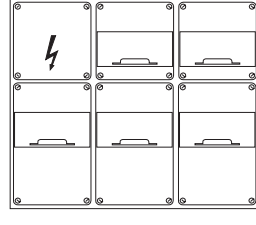
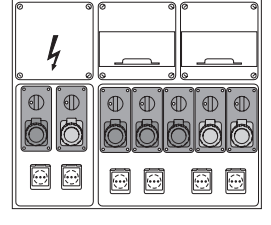
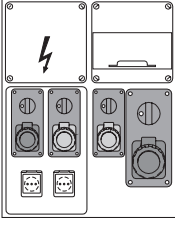
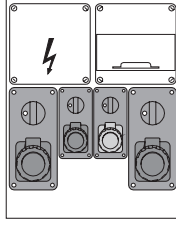
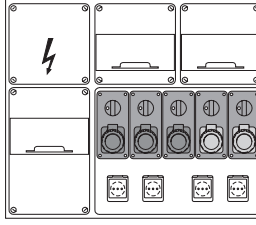
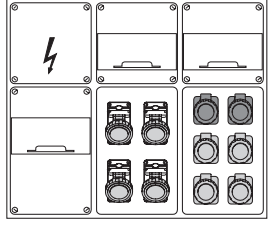
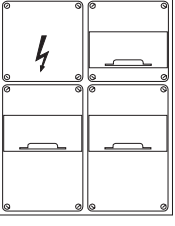
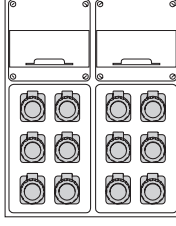
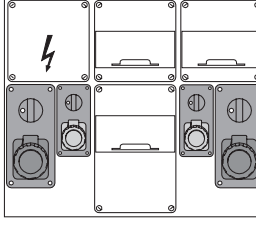
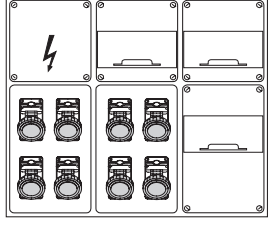
KIT D		
1D		1
2D		1
3D		1
4D	M8	3
5D	Ø 8,4	3
6D		1

KIT E		
1E		1
2E		2
3E		1
4E		1
5E		1
6E	5x26	16
7E		2
8E	M5x30	4
9E	Ø 5	4
10E	M5	4
11E		2
12E		1
13E	IP55	1

KIT F		
1F		1
2F	M6x16	2
3F	Ø 8	1

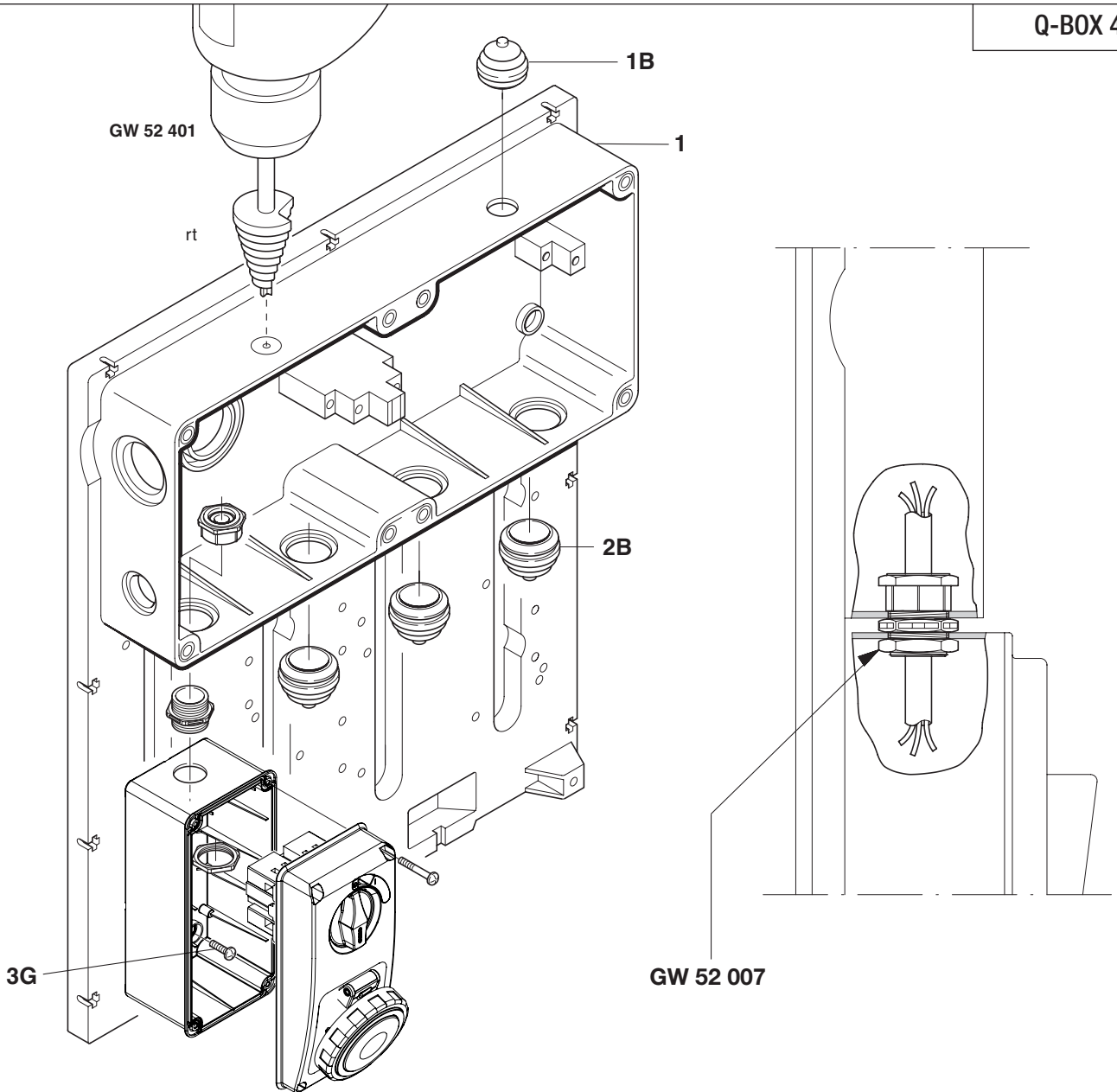
KIT G		
1G	M6x70	8
2G	Ø 6	8
3G	4,1x25	16



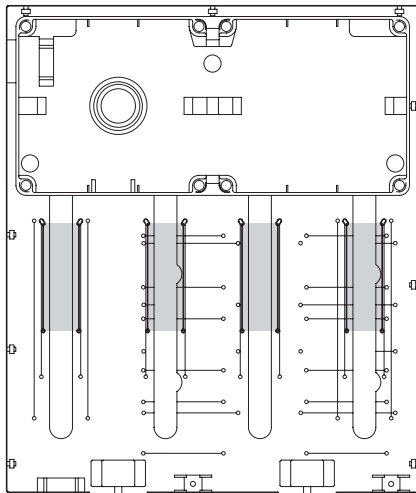
	Q-BOX 4 GW 68 465		Q-BOX 6 GW 68 466	
	 <p>5 IB SBF 16-32A 4 Schuko <b>GW 68 541</b></p>	 <p>8 COMBI 16-32A <b>GW 68 542</b></p>	 <p>6 IB SBF 16-32A 1 IB SBF 63A 4 Schuko <b>GW 68 543</b></p>	 <p>12 IB COMBI 16-32A <b>GW 68 544</b></p>
	 <p>24 EN 50022 2 IB SBF 16-32A 2 Schuko</p>	 <p>2IB 16-32A 2 IEC 309 16-32A 6 Schuko/IEC 16A</p>	 <p>60 EN 50022</p>	 <p>7 IB 16-32 6 Schuko/IEC 309 16A</p>
	 <p>3 IB 16-32A 1 IB 63A 2 Schuko/IEC 309 16A</p>	 <p>2 IB 16-32A 2 IB 63A</p>	 <p>36 EN 50022 5 IB 16-32A 4 Schuko/IEC 309 16A</p>	 <p>36 EN 50022 4 COMBI 2 IEC 309 16-32A 4 IEC 309 16A</p>
	 <p>36 EN 50022</p>	 <p>4 IEC 309 16-32A 8 IEC 309 16A/Schuko</p>	 <p>36 EN 50022 2 IB 63A 2 IB 16-32A</p>	 <p>8 COMBI 16-32A 36 EN 50022</p>



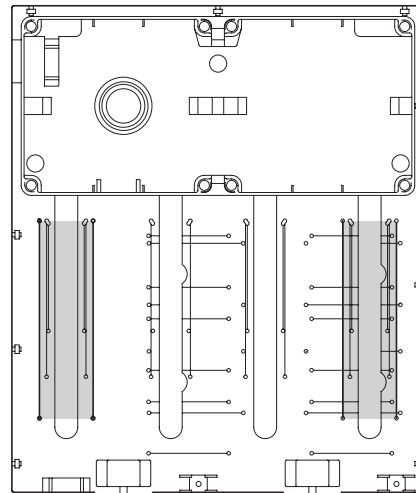
Q-BOX 4



16/32A

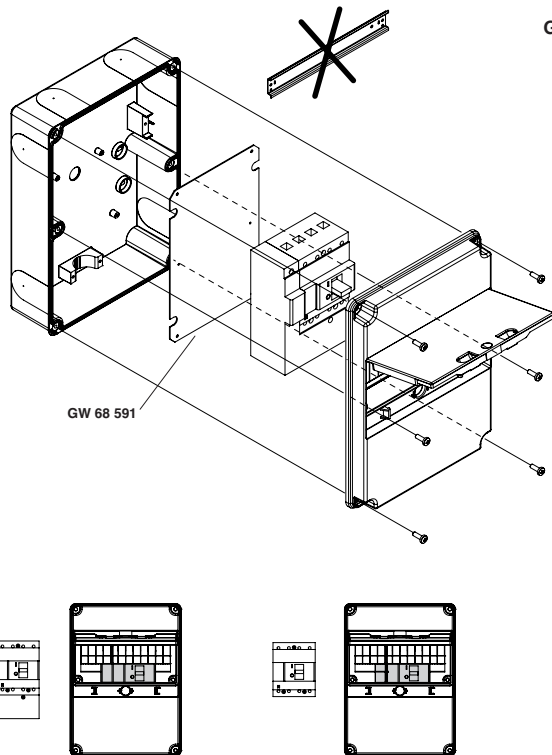
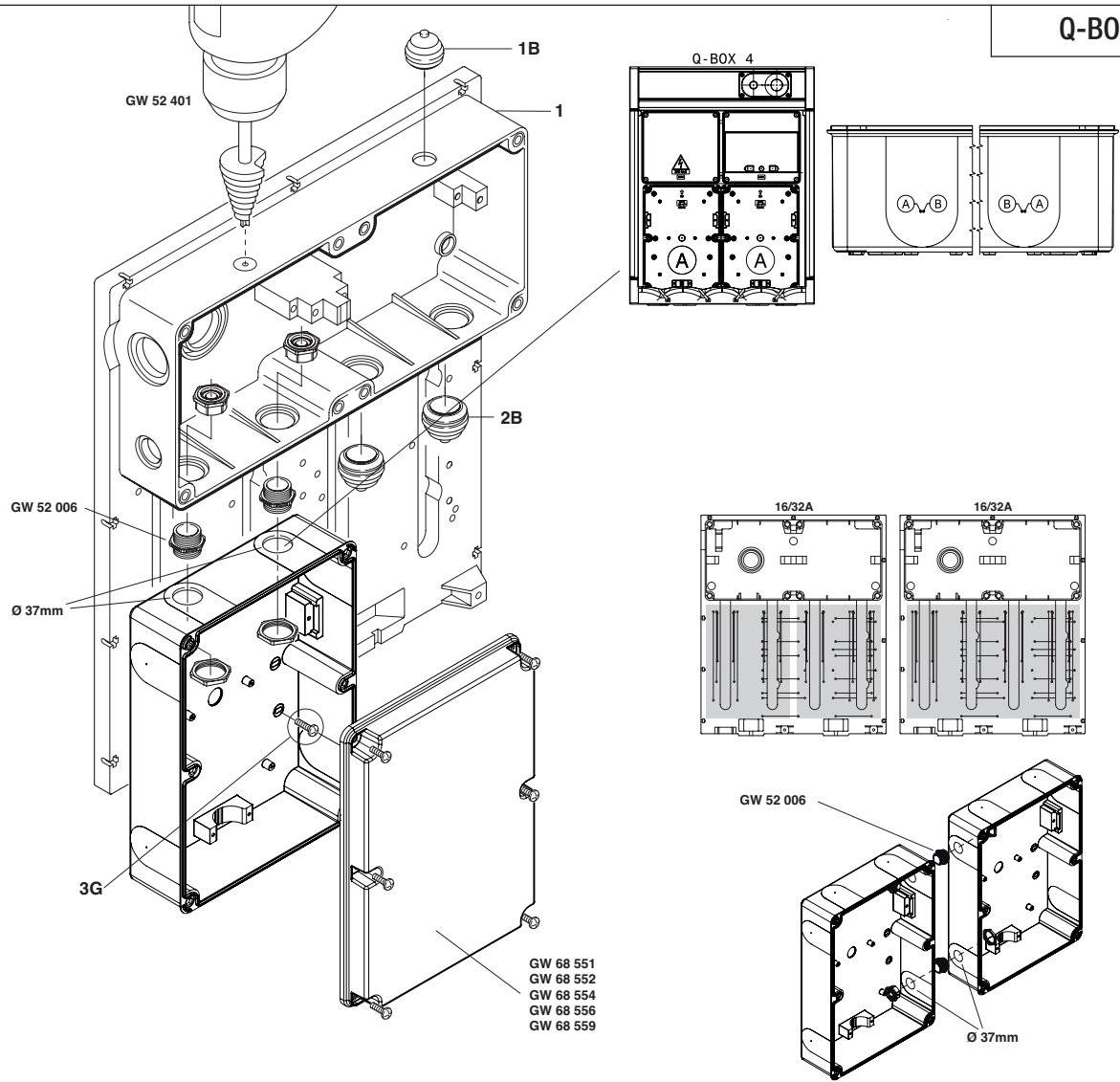


63A

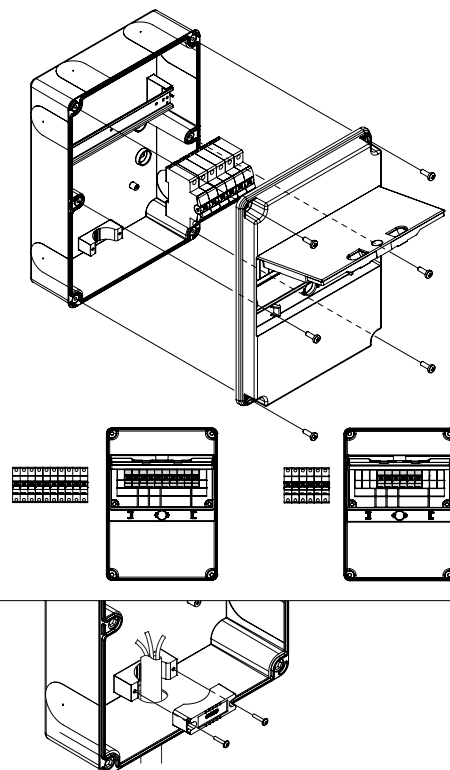




# Q-BOX 4

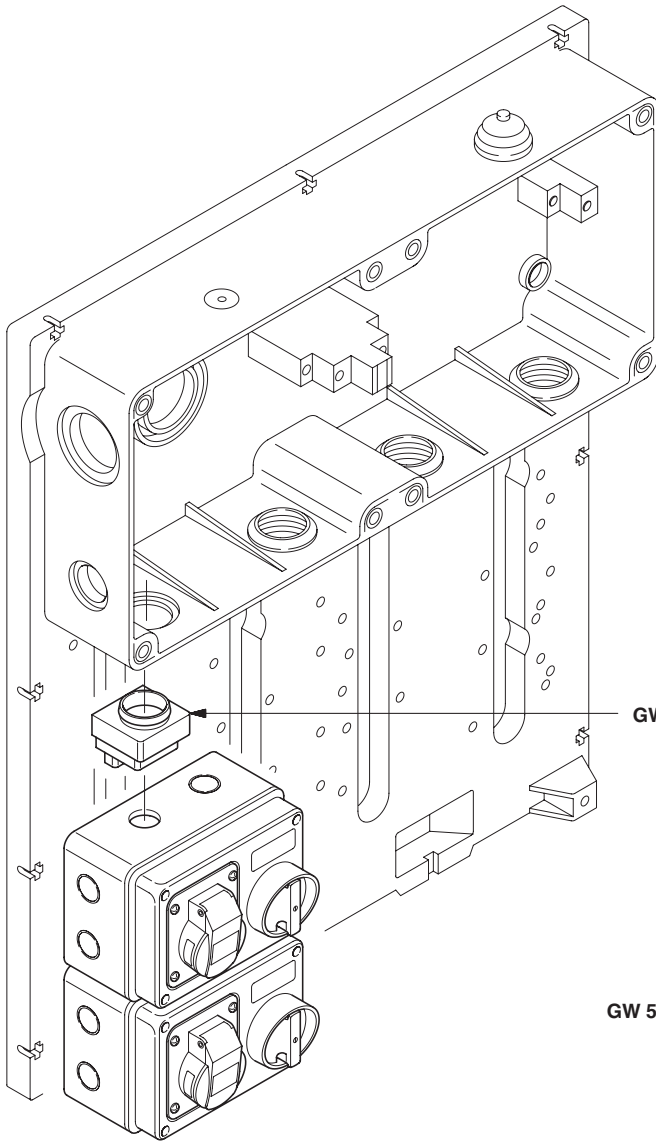


## GW 68 552

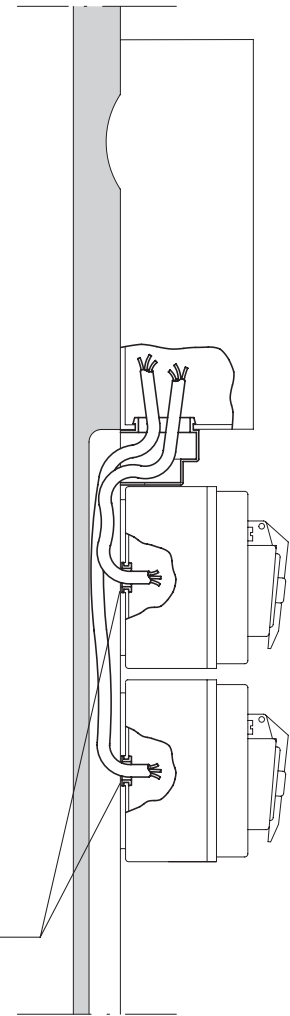




**Q-BOX 4**

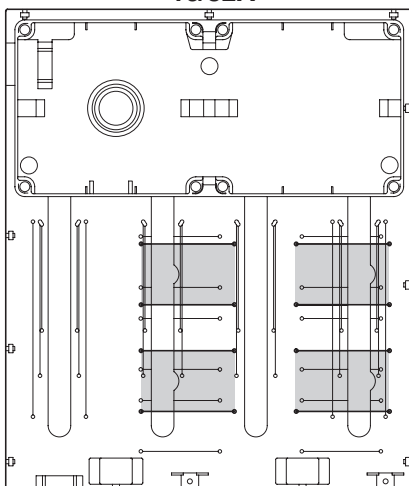


**GW 50 445**

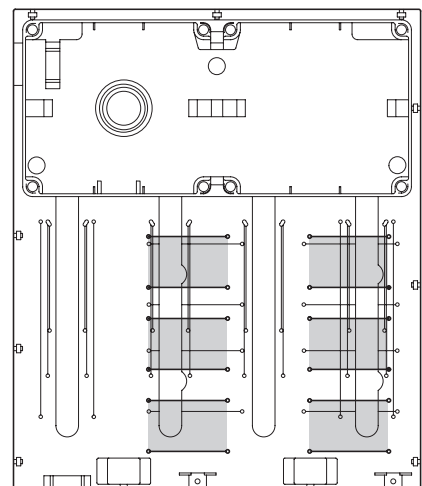


**GW 50 429**

**16/32A**

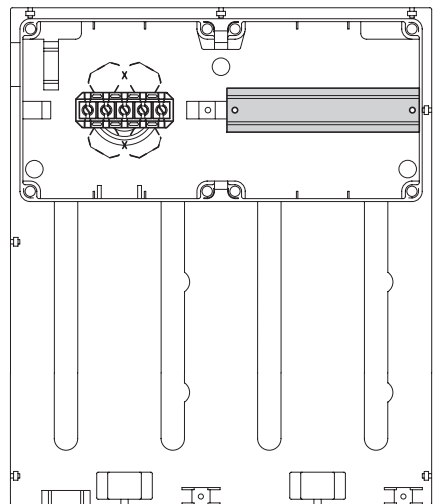
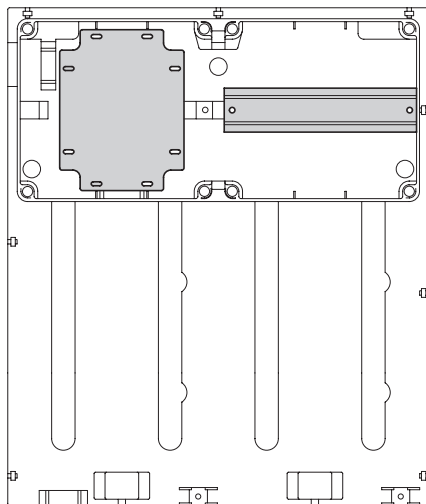
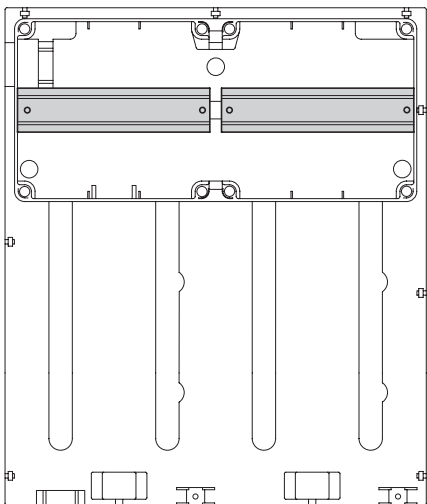
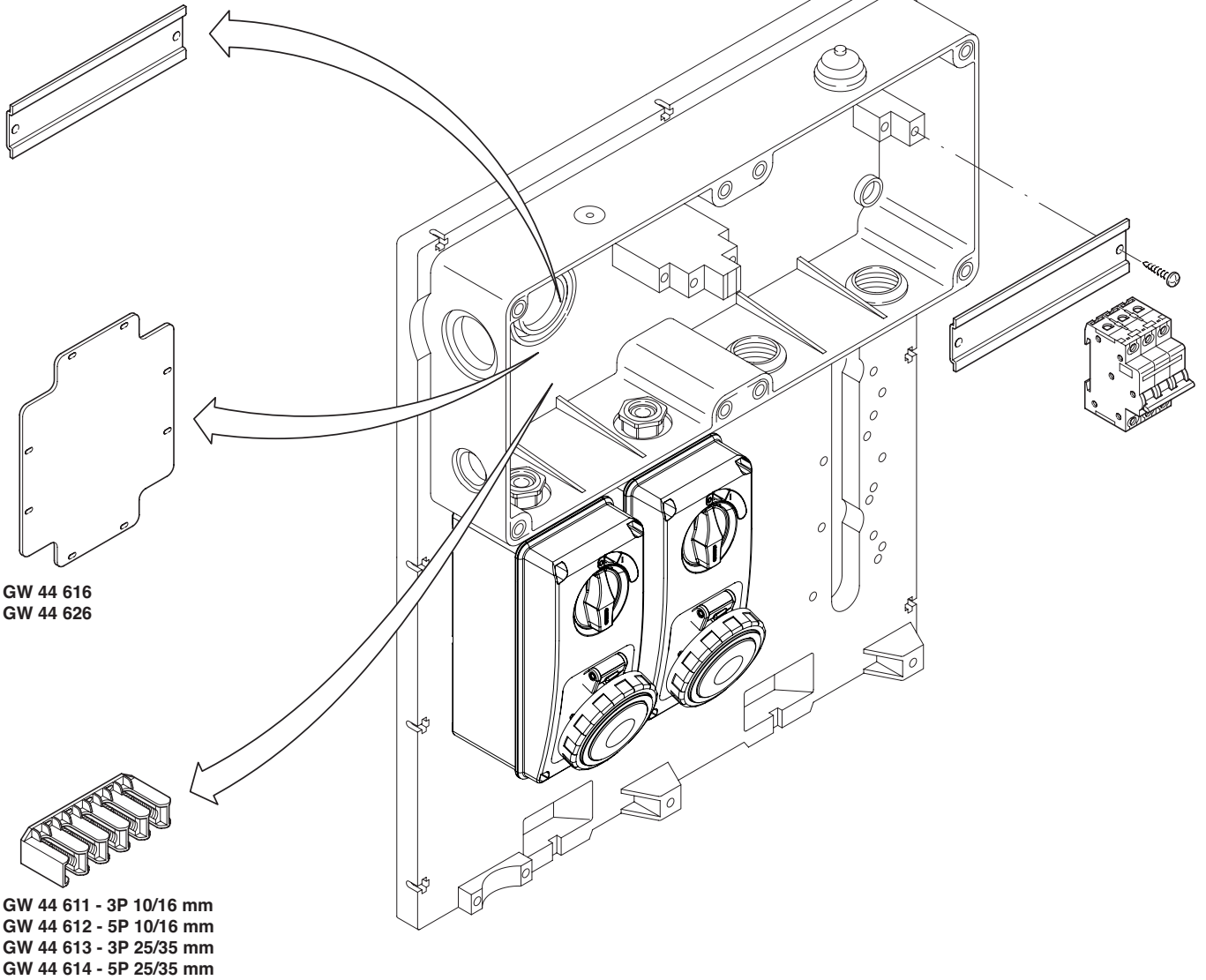


**16/32A**





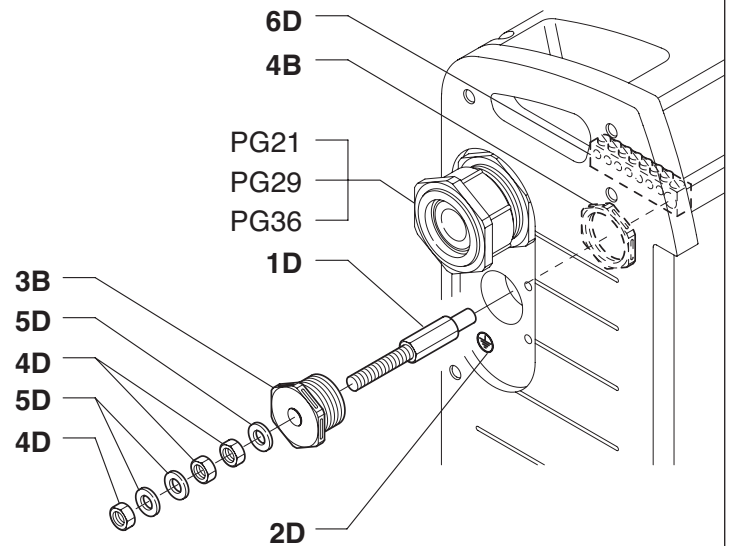
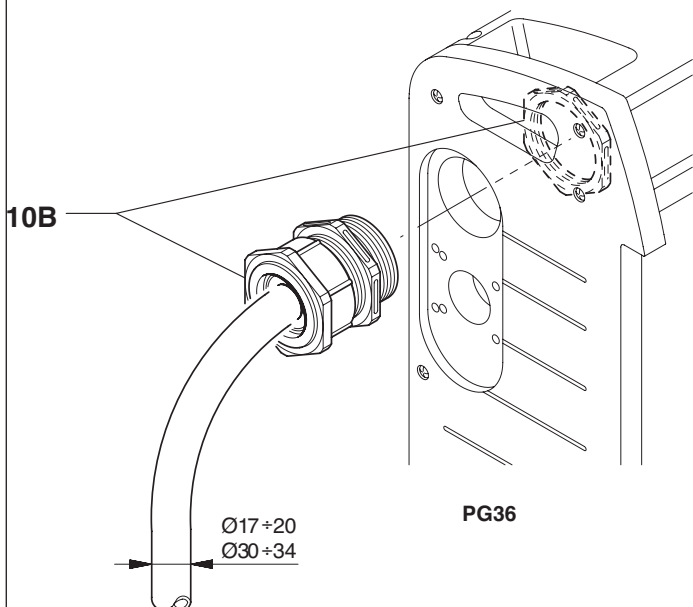
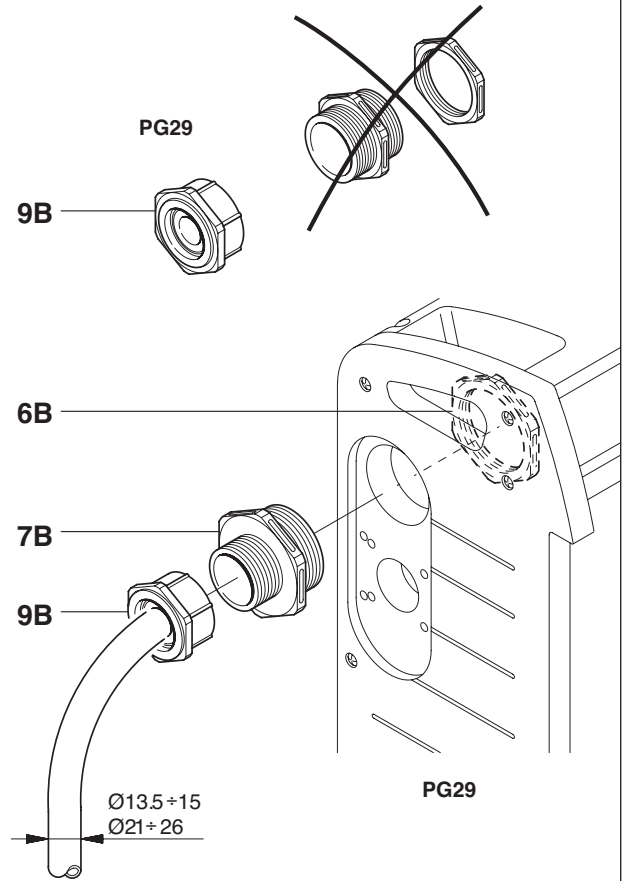
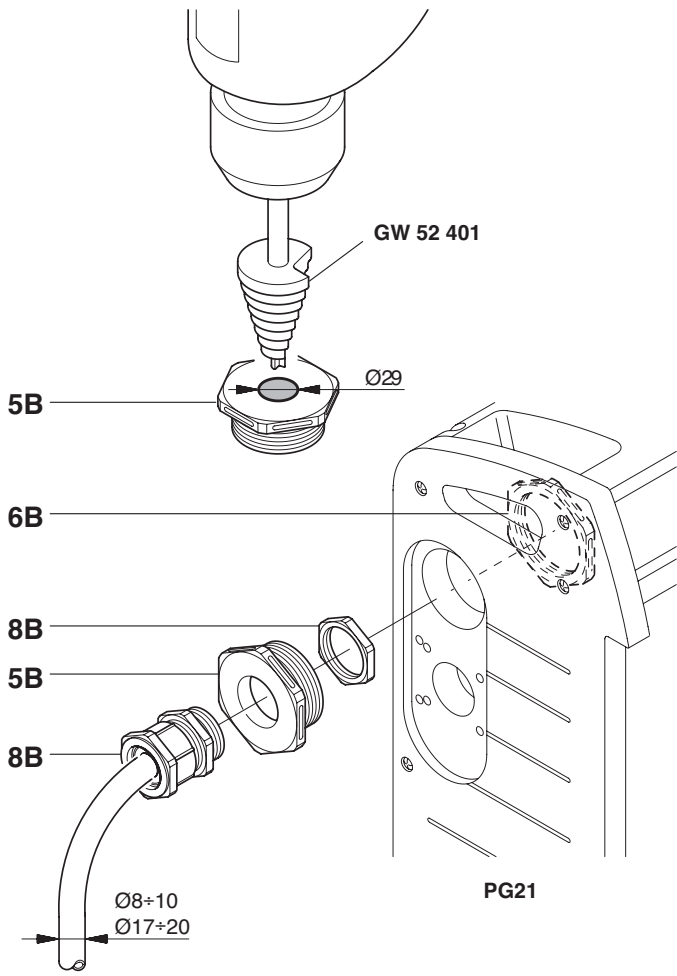
# Q-BOX 4





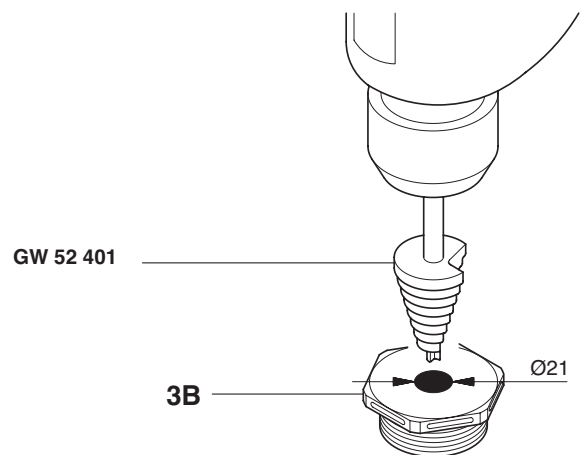
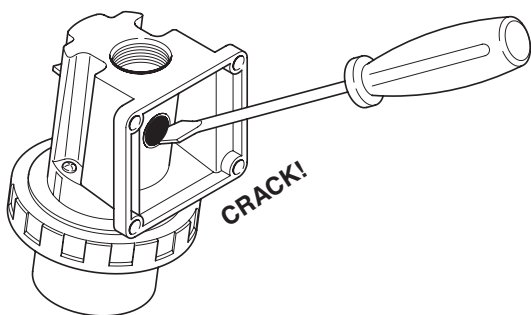
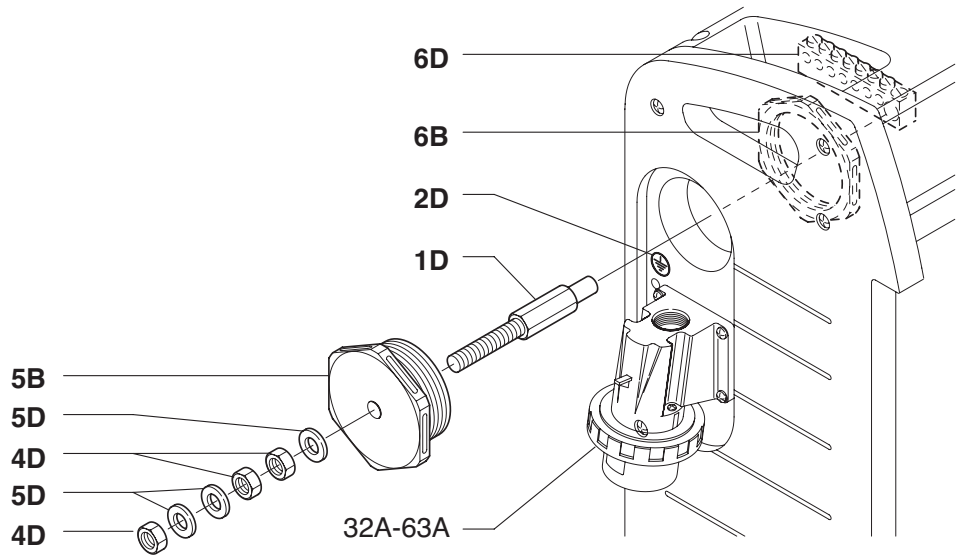
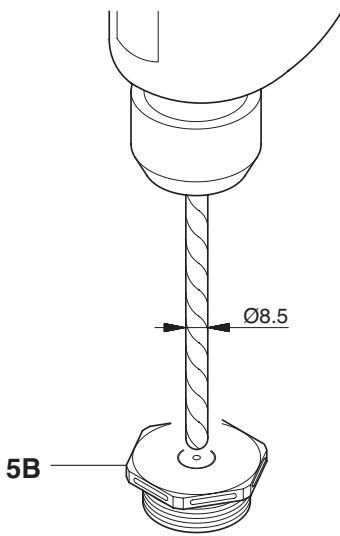
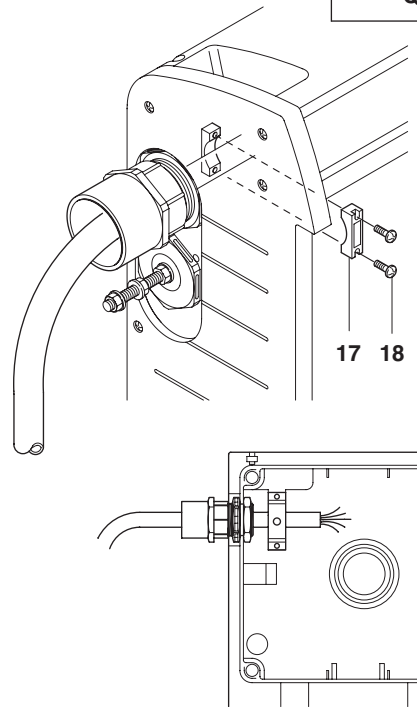
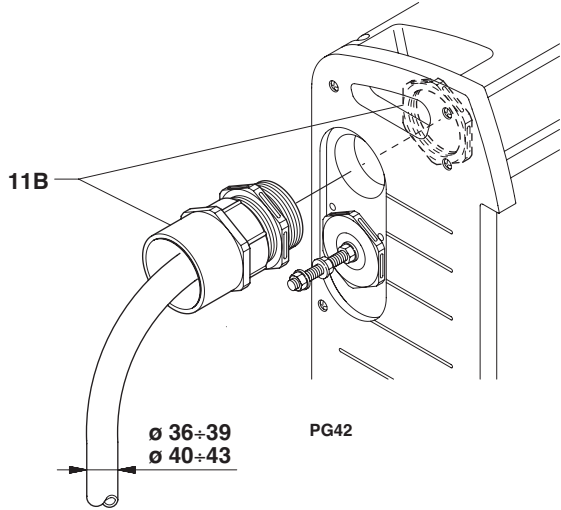


# Q-BOX 4



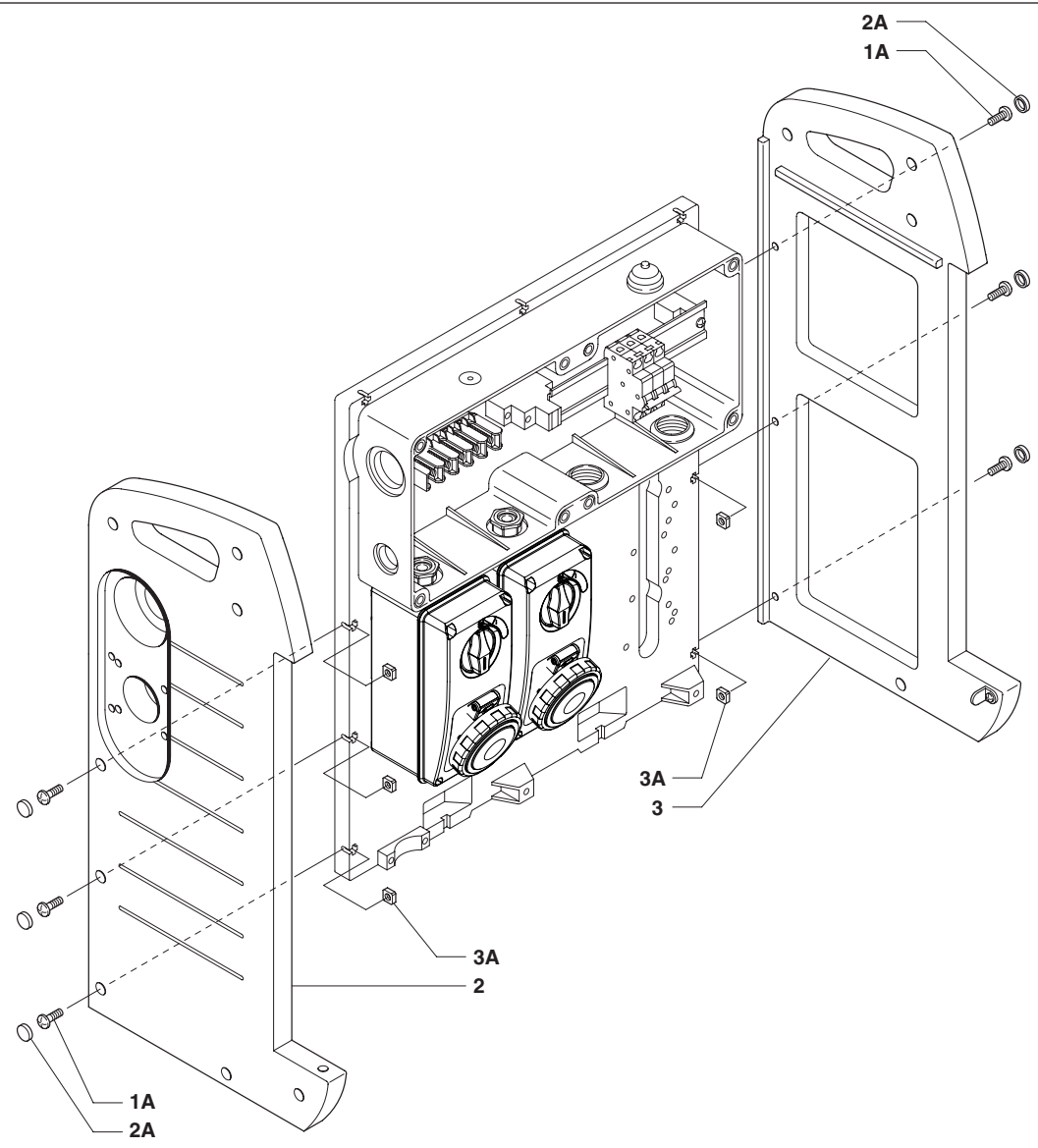
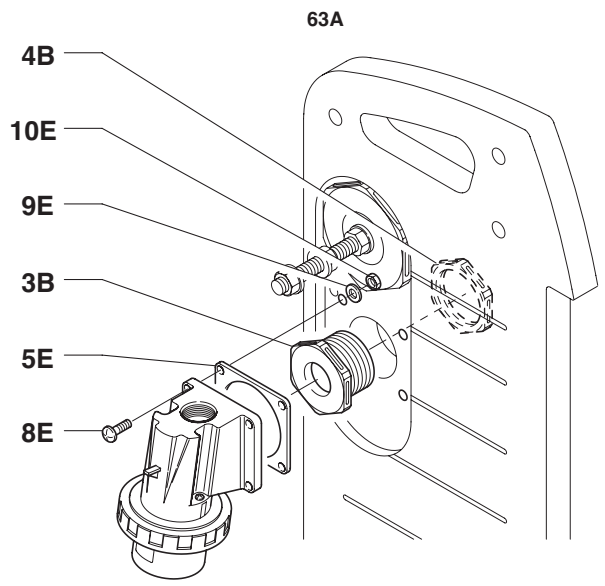
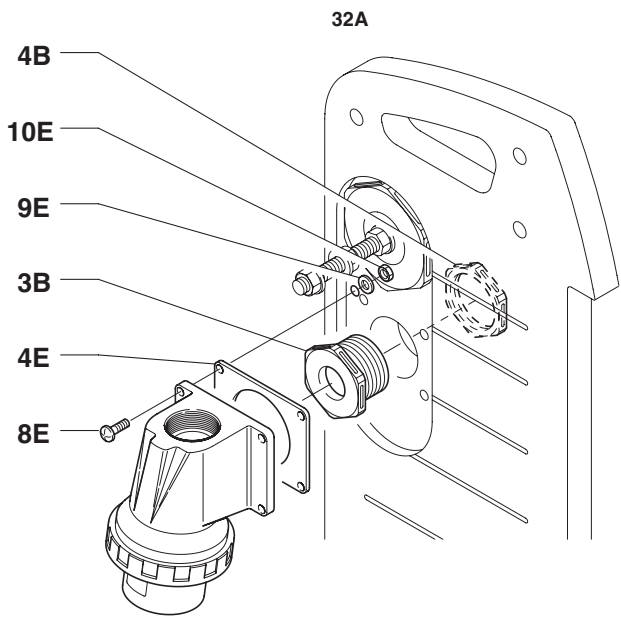


Q-BOX 4



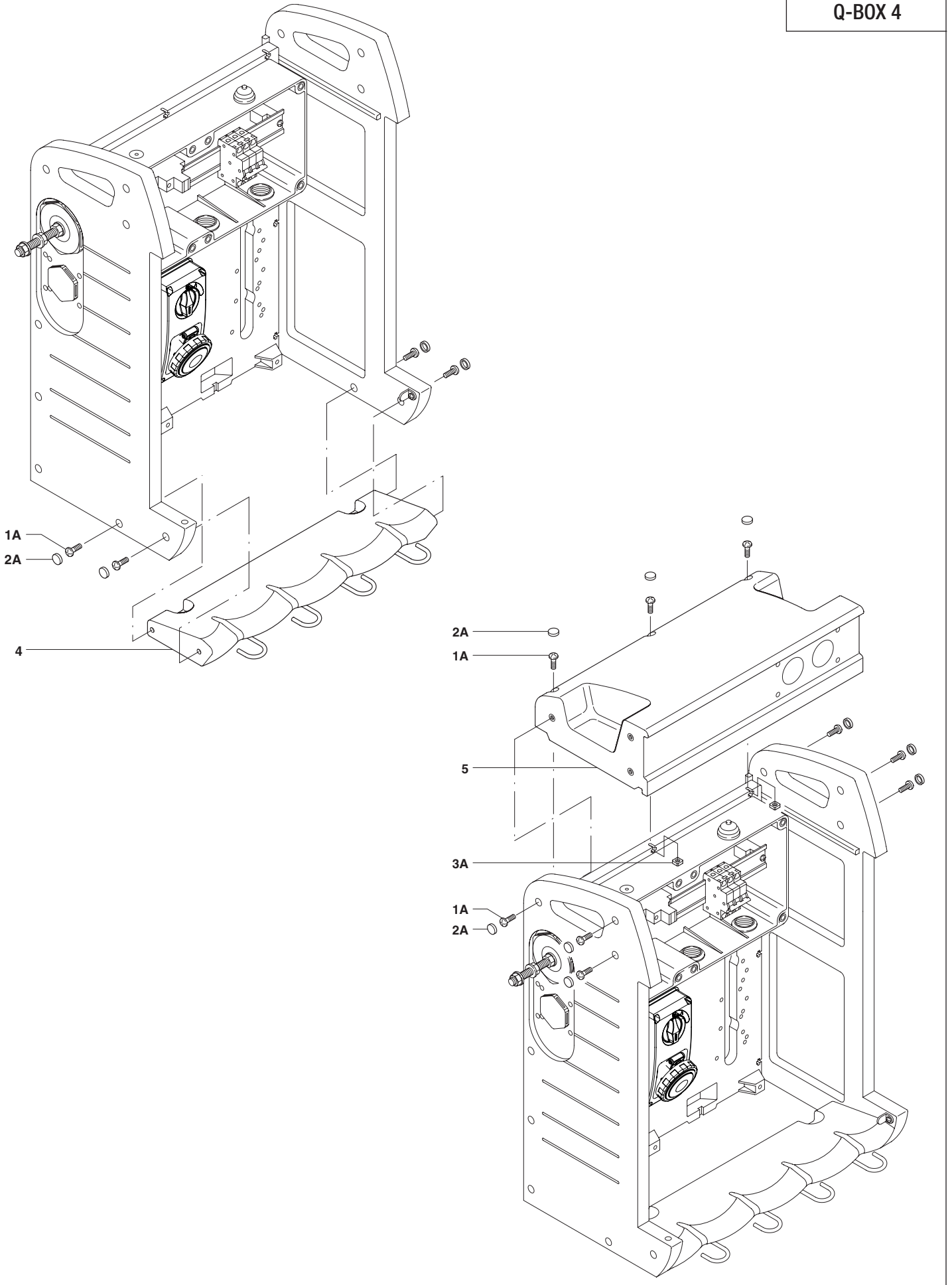


Q-BOX 4



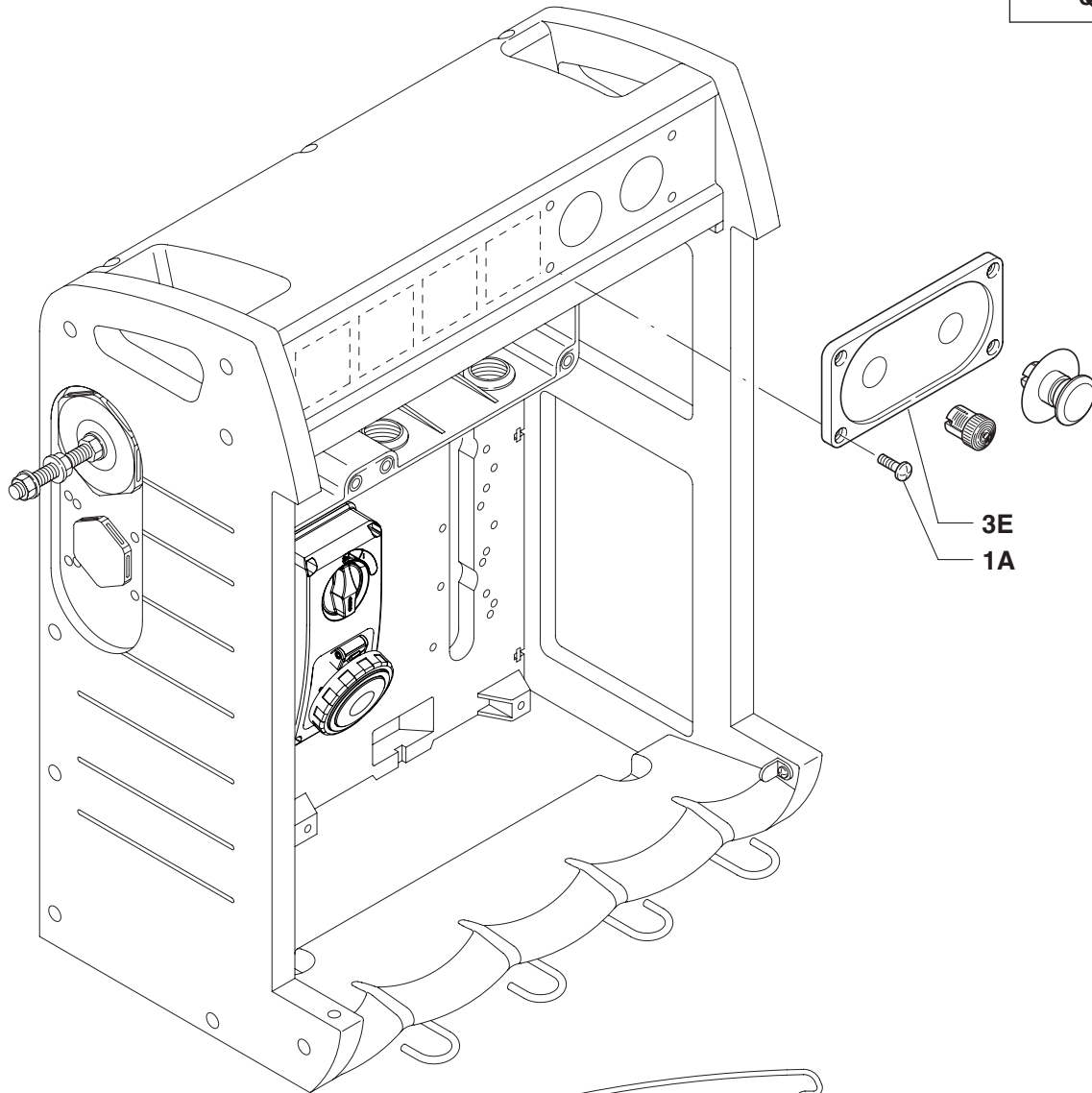


# Q-BOX 4





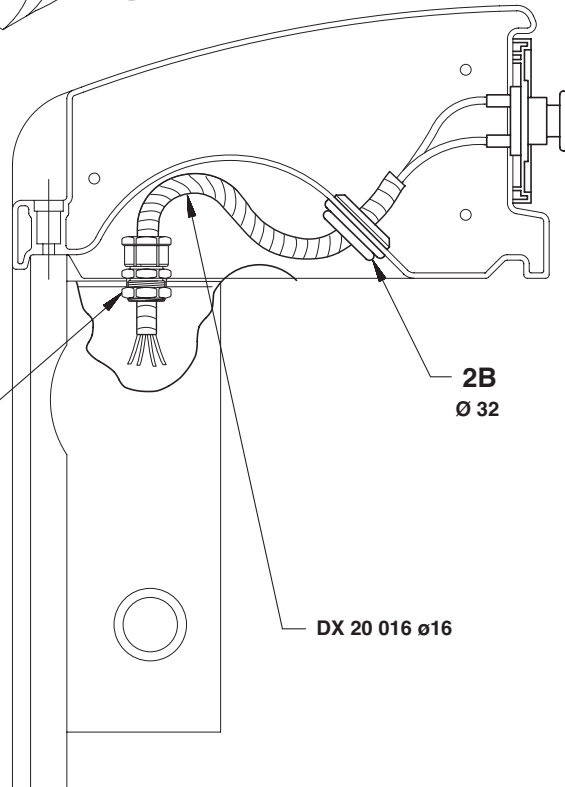
Q-BOX 4



3E

1A

GW 52 005

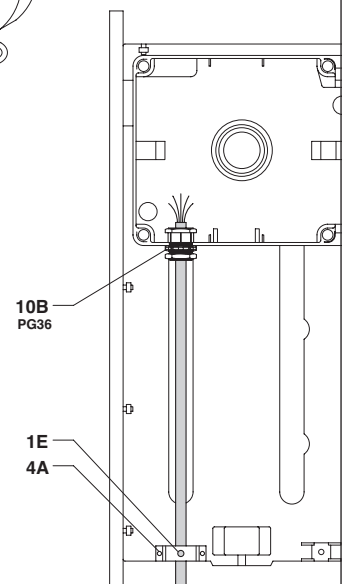
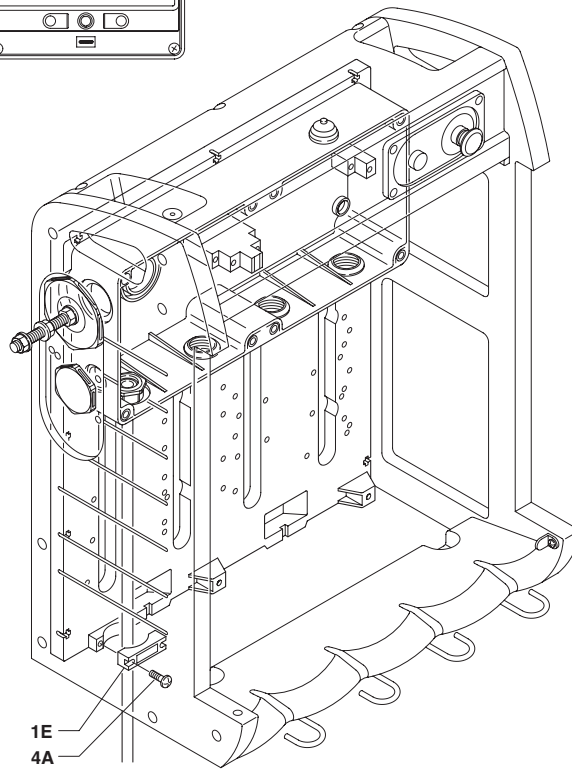
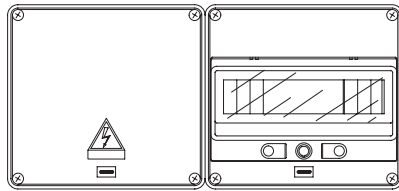
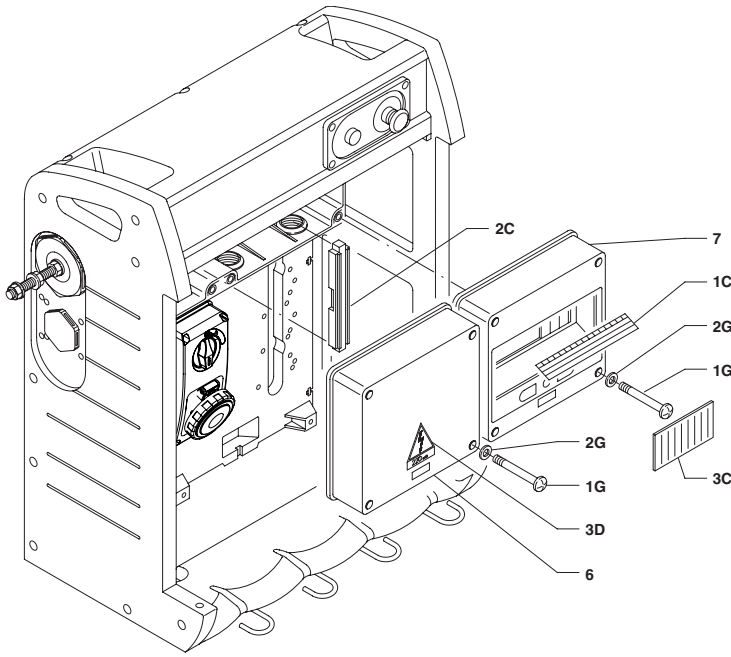


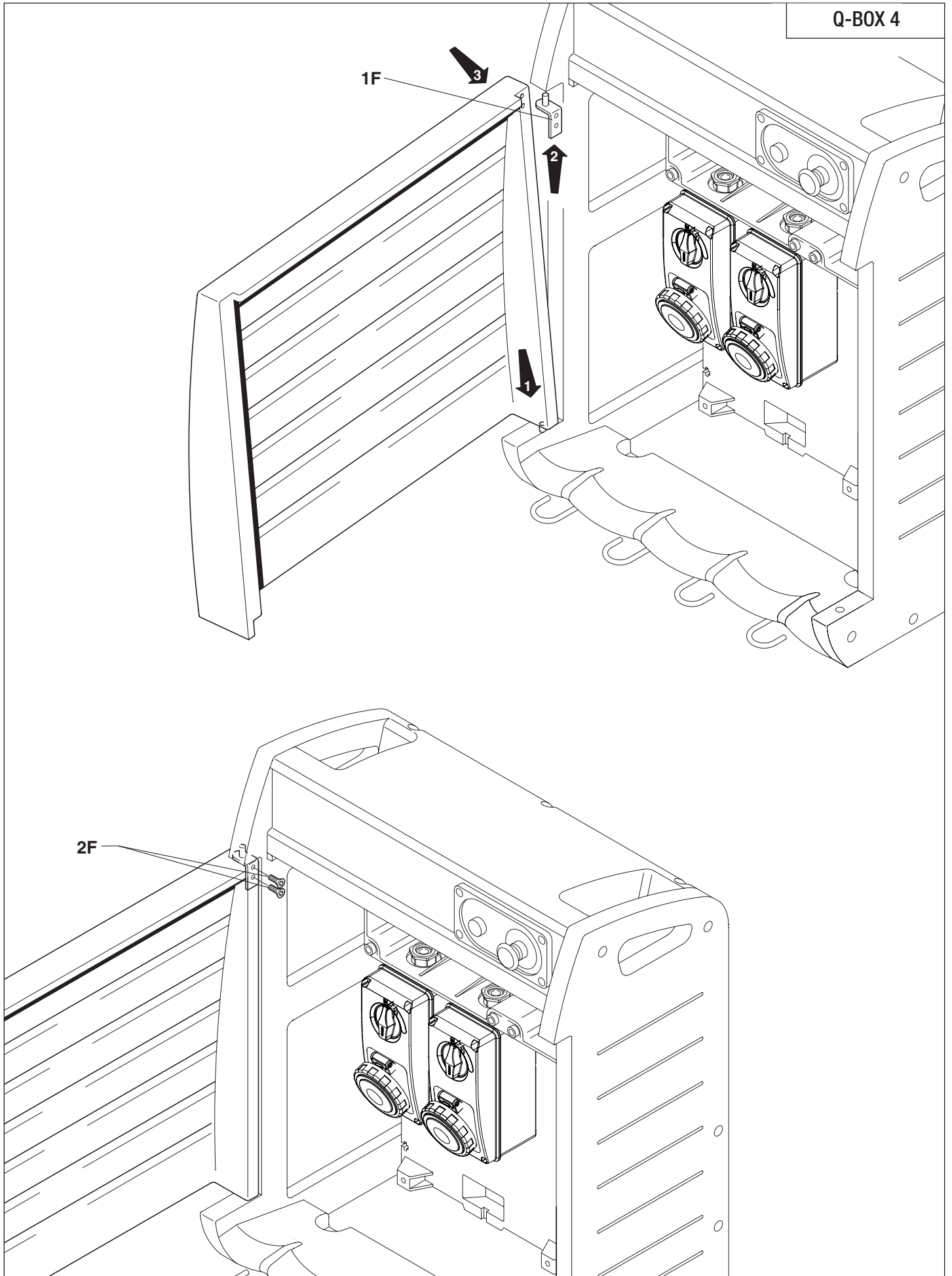
2B  
Ø 32

DX 20 016 ø16



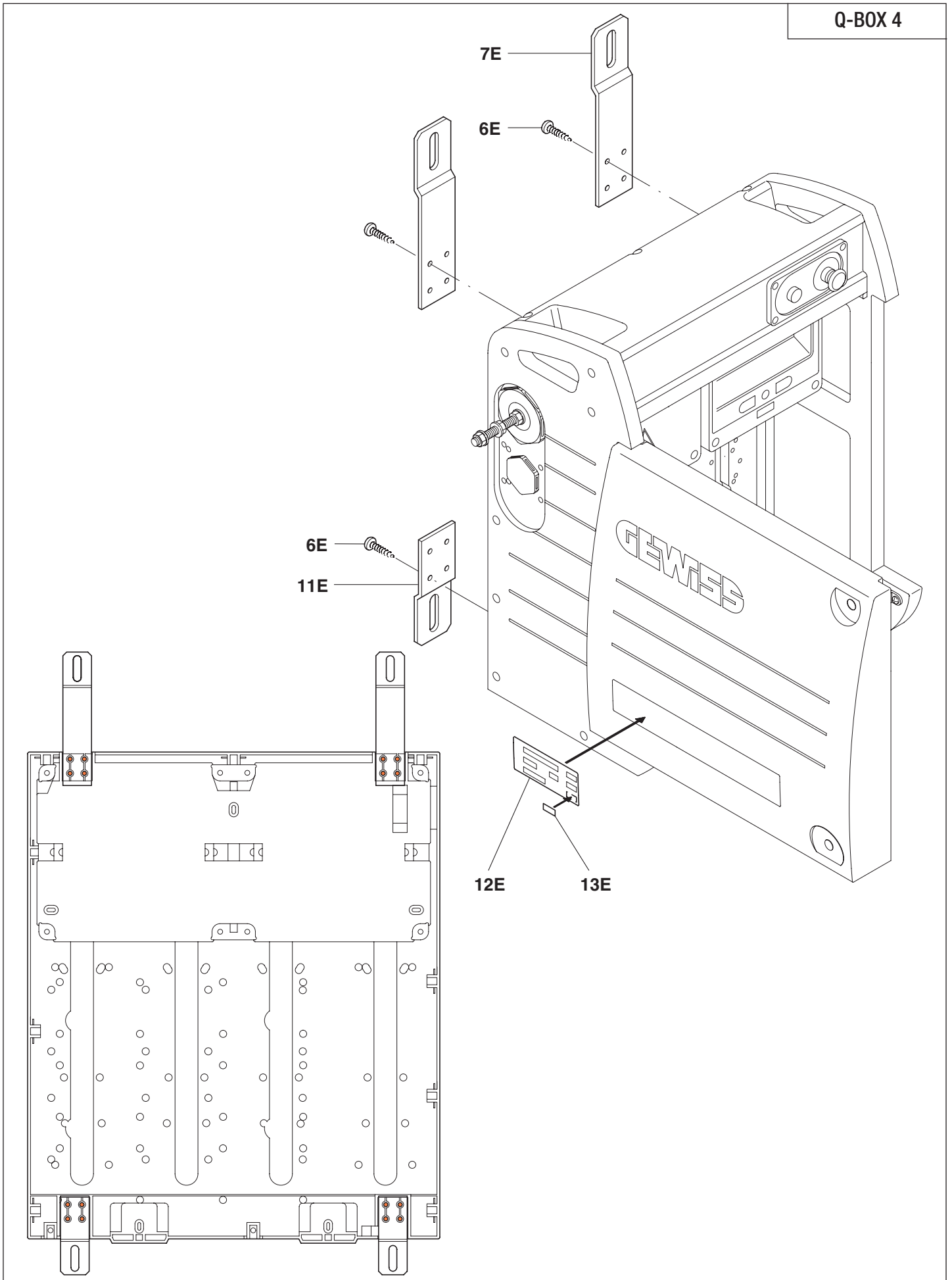
# Q-BOX 4







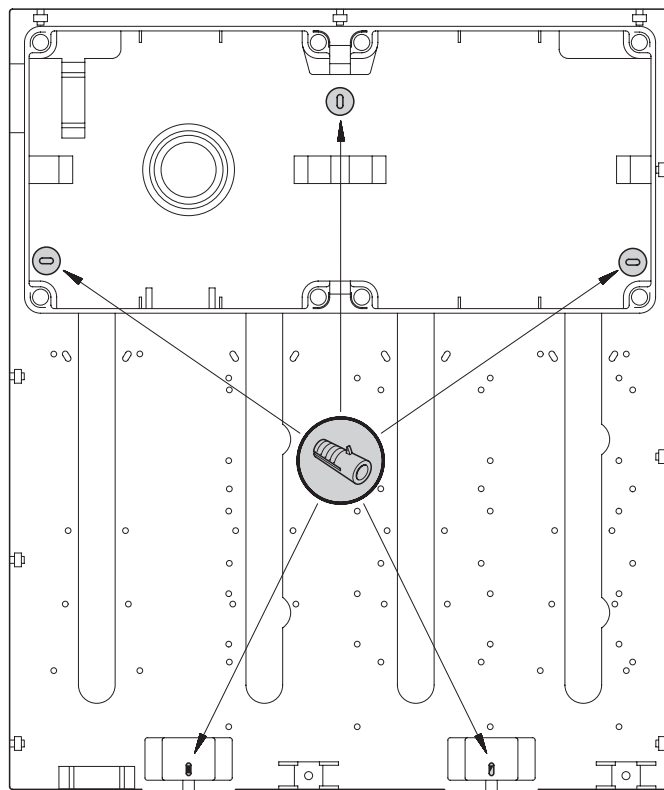
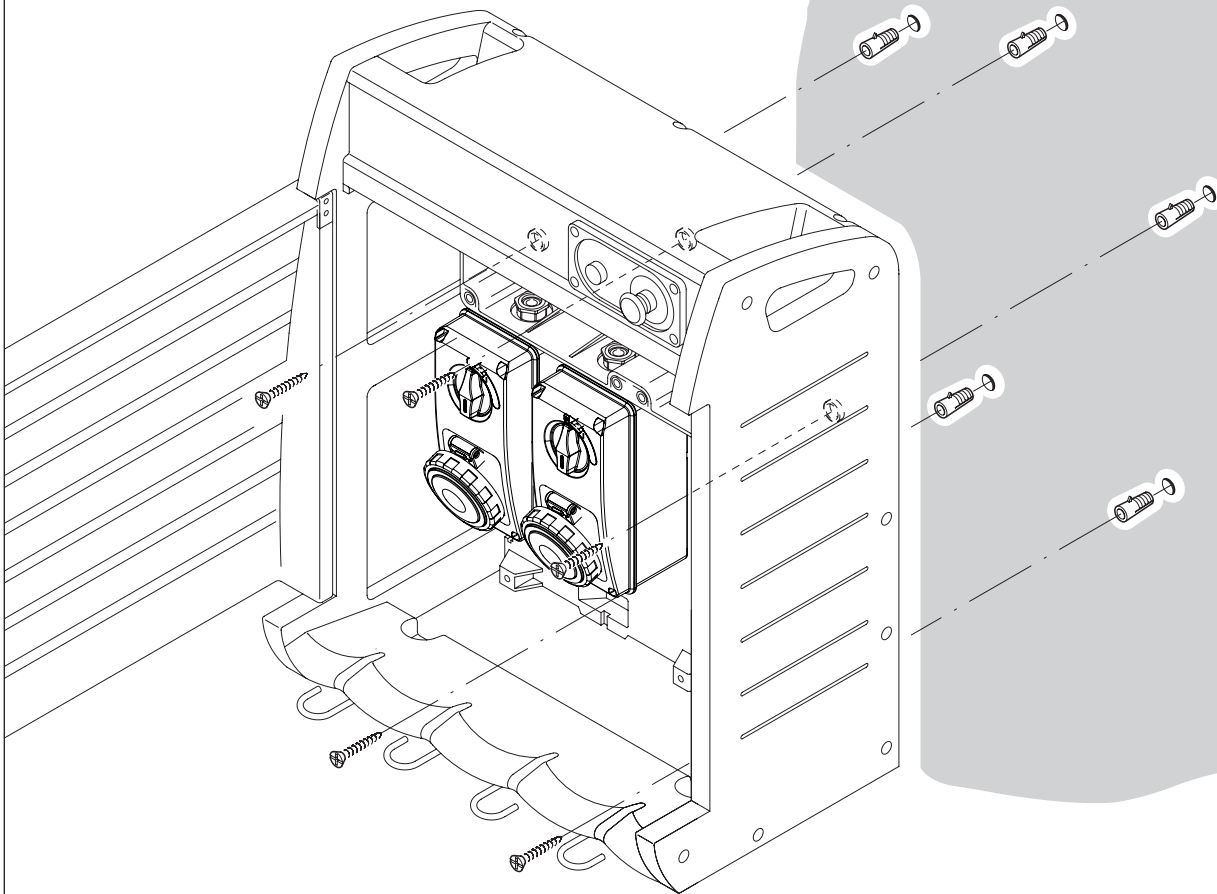
Q-BOX 4





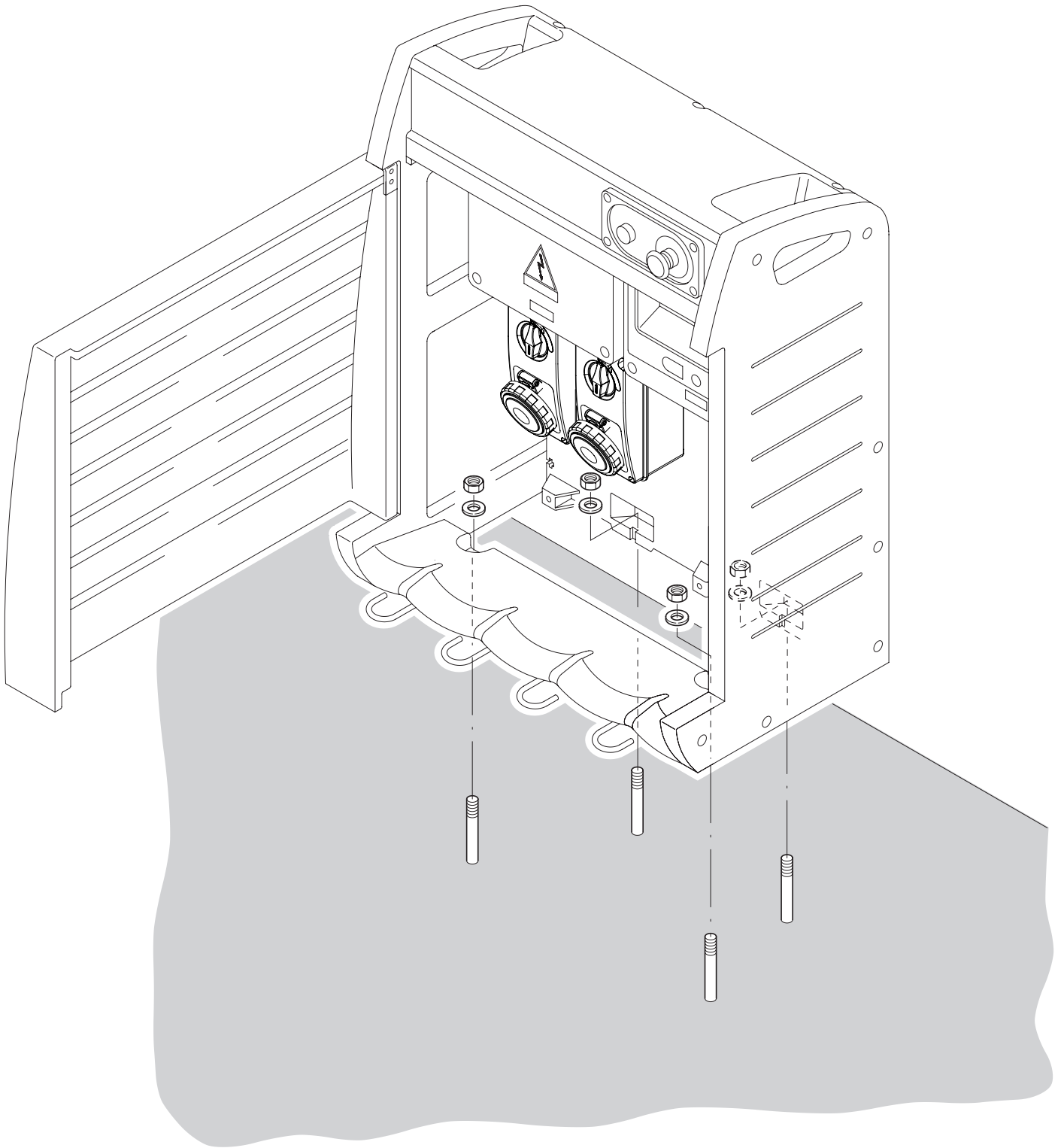


Q-BOX 4



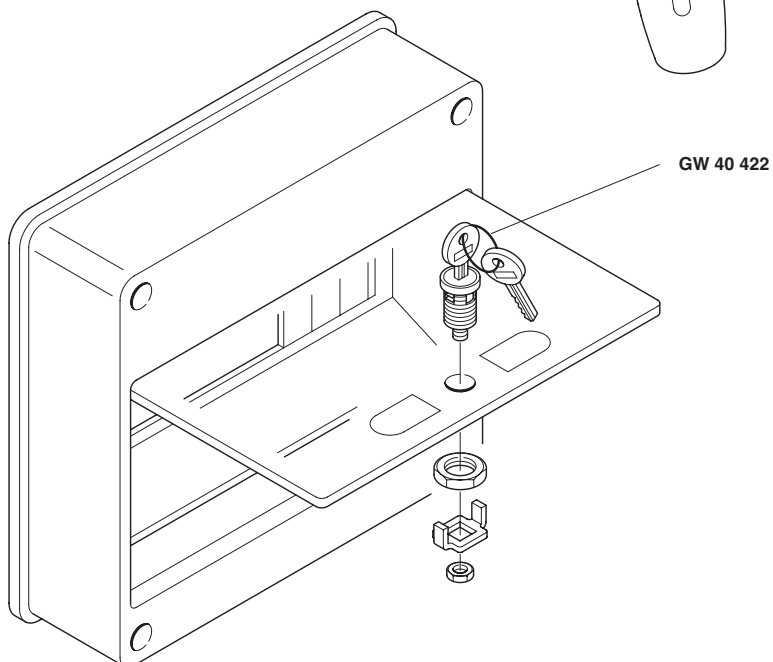
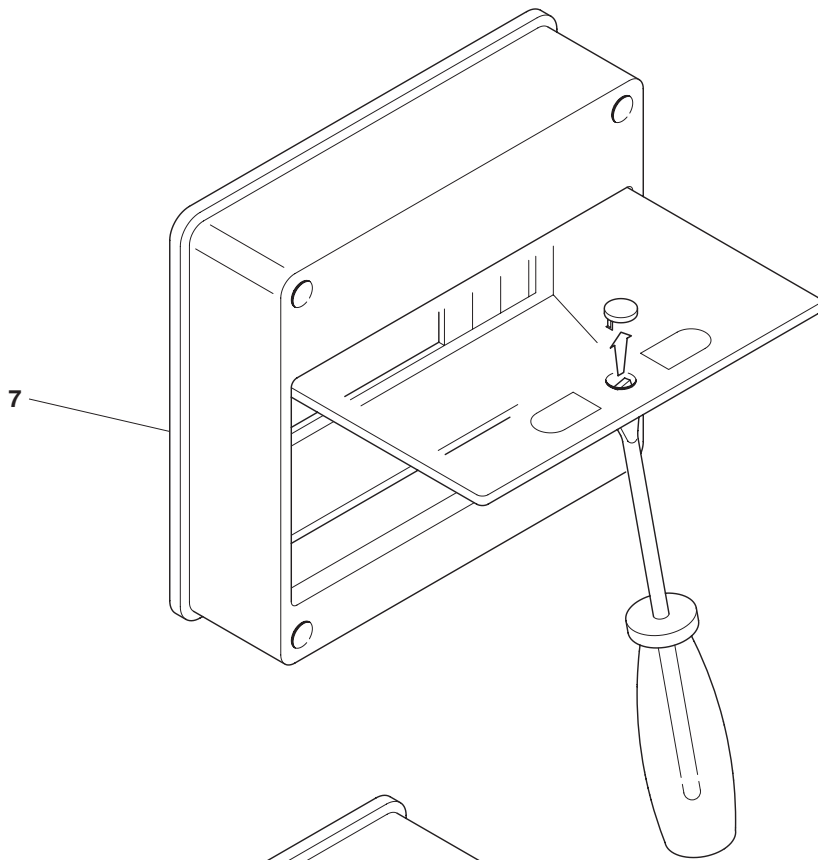
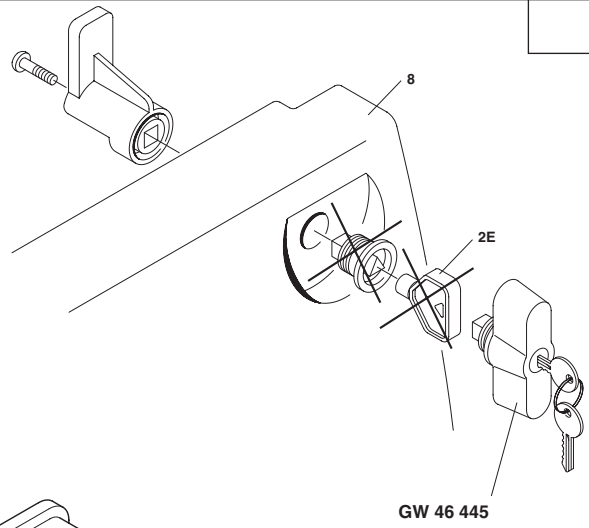


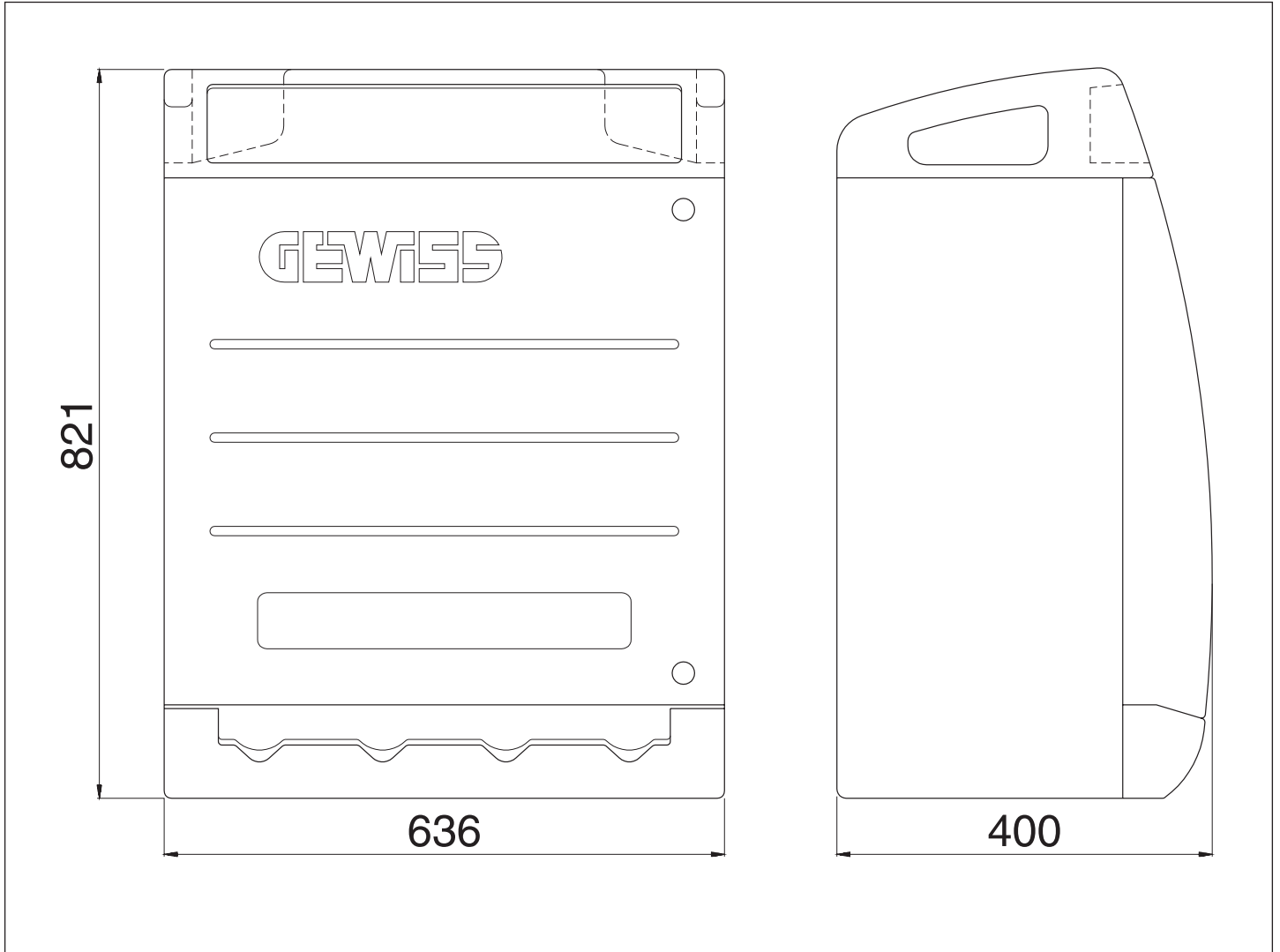
Q-BOX 4





Q-BOX 4





cod. 7.55.4.080.7

Ai sensi delle Decisioni e delle Direttive Europee applicabili, si informa che il responsabile dell'immissione del prodotto sul mercato Comunitario è:

*According to the applicable Decisions and European Directives, the responsible for placing the apparatus on the Community market is:*

**GEWISS S.p.A. Via A.Volta, 1 IT-24069 Cenate Sotto (BG) Italy Tel: +39 035 946 111 Fax: +39 035 946 270 E-mail: [qualitymarks@gewiss.com](mailto:qualitymarks@gewiss.com)**



**+39 035 946 111**  
8.30 - 12.30 / 14.00 - 18.00  
lunedì - venerdì - monday - friday



**+39 035 946 260**



**[sat@gewiss.com](mailto:sat@gewiss.com)**  
**[www.gewiss.com](http://www.gewiss.com)**

ULTIMA REVISIONE 09/2015