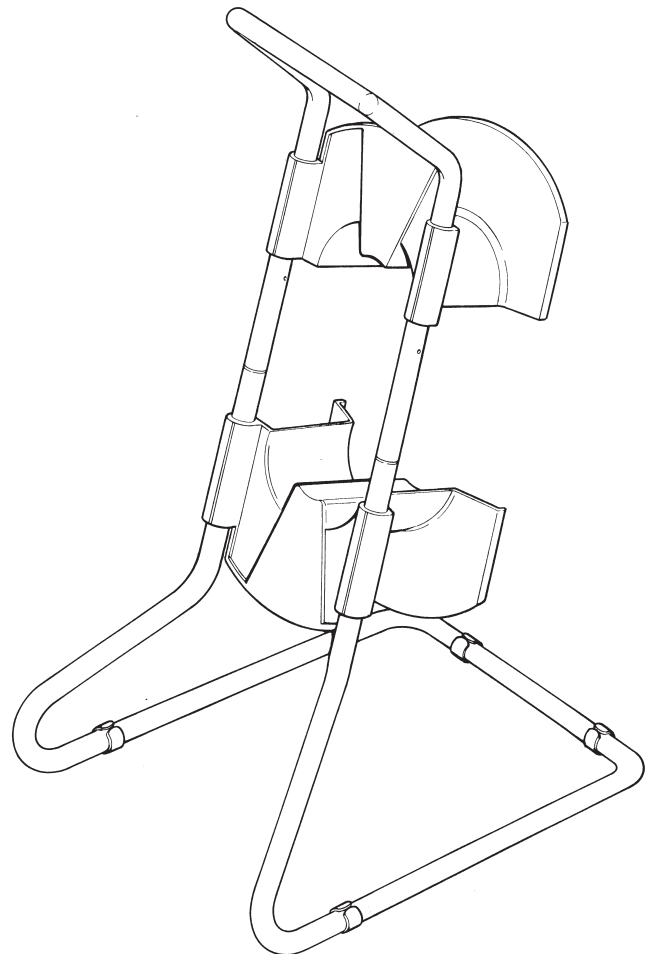


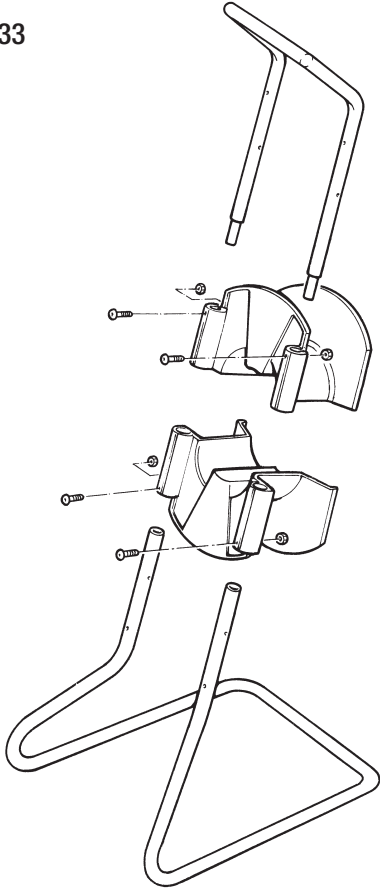
**GW 68 411 N**  
**Q-DIN 14ASC IP44**



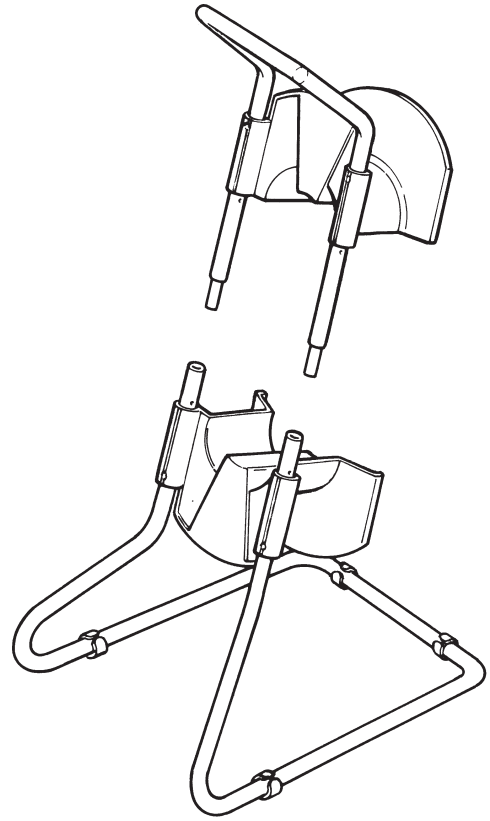
**GW 68 433**



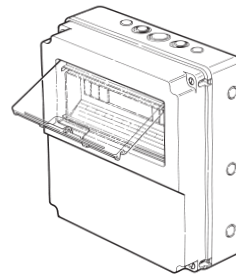
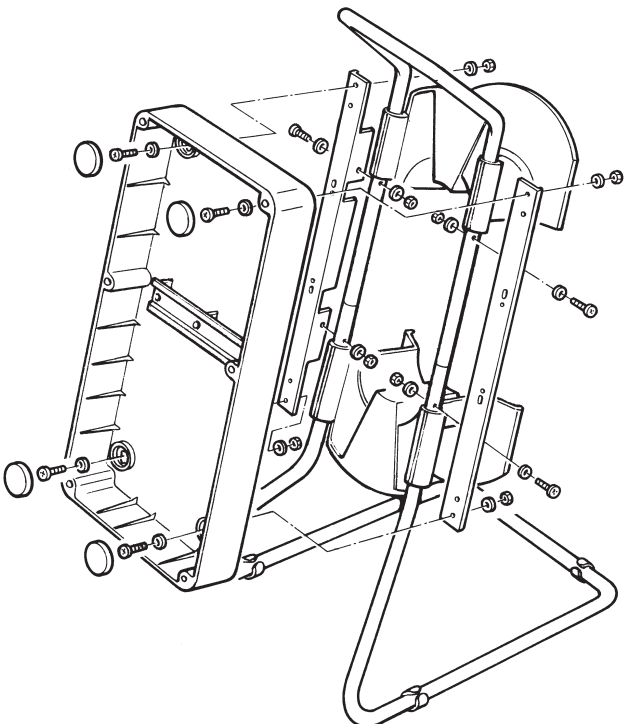
GW 68 433



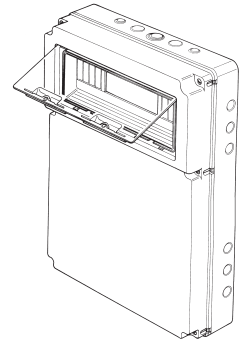
GW 68 433



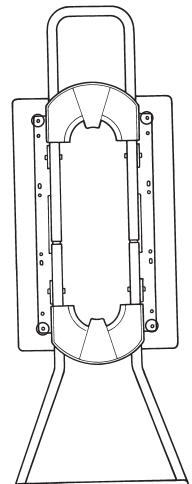
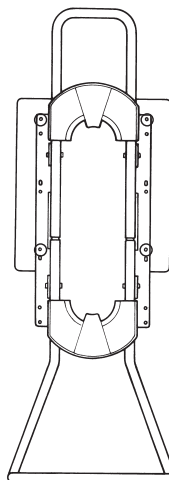
GW 68 433 Q-DIN 14



GW 68 004 N  
Q-DIN 14  
360x320x135 mm

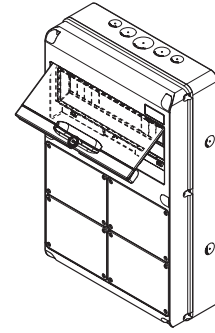
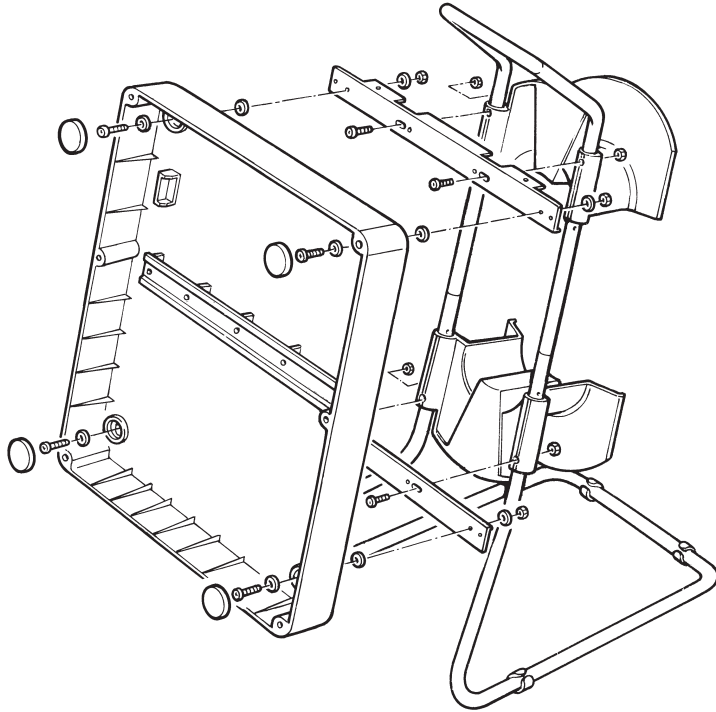


GW 68 007 N  
Q-DIN 14  
510x320x135 mm

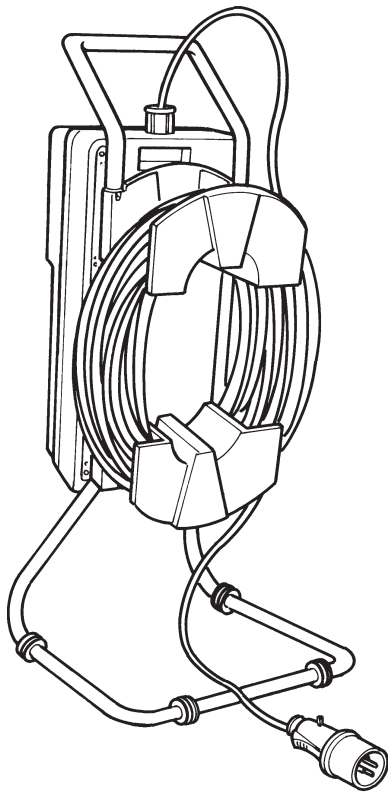
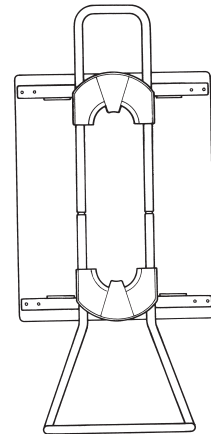




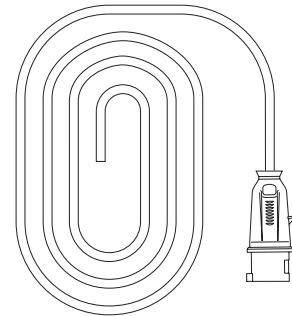
GW 68 433 Q-DIN 20



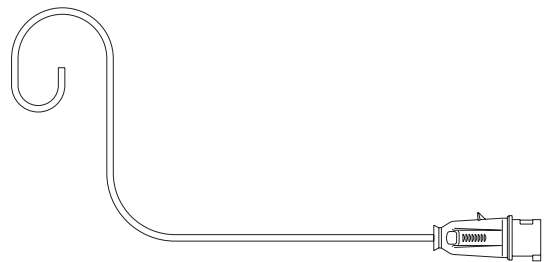
**Q-DIN 20**  
510x320x135 mm



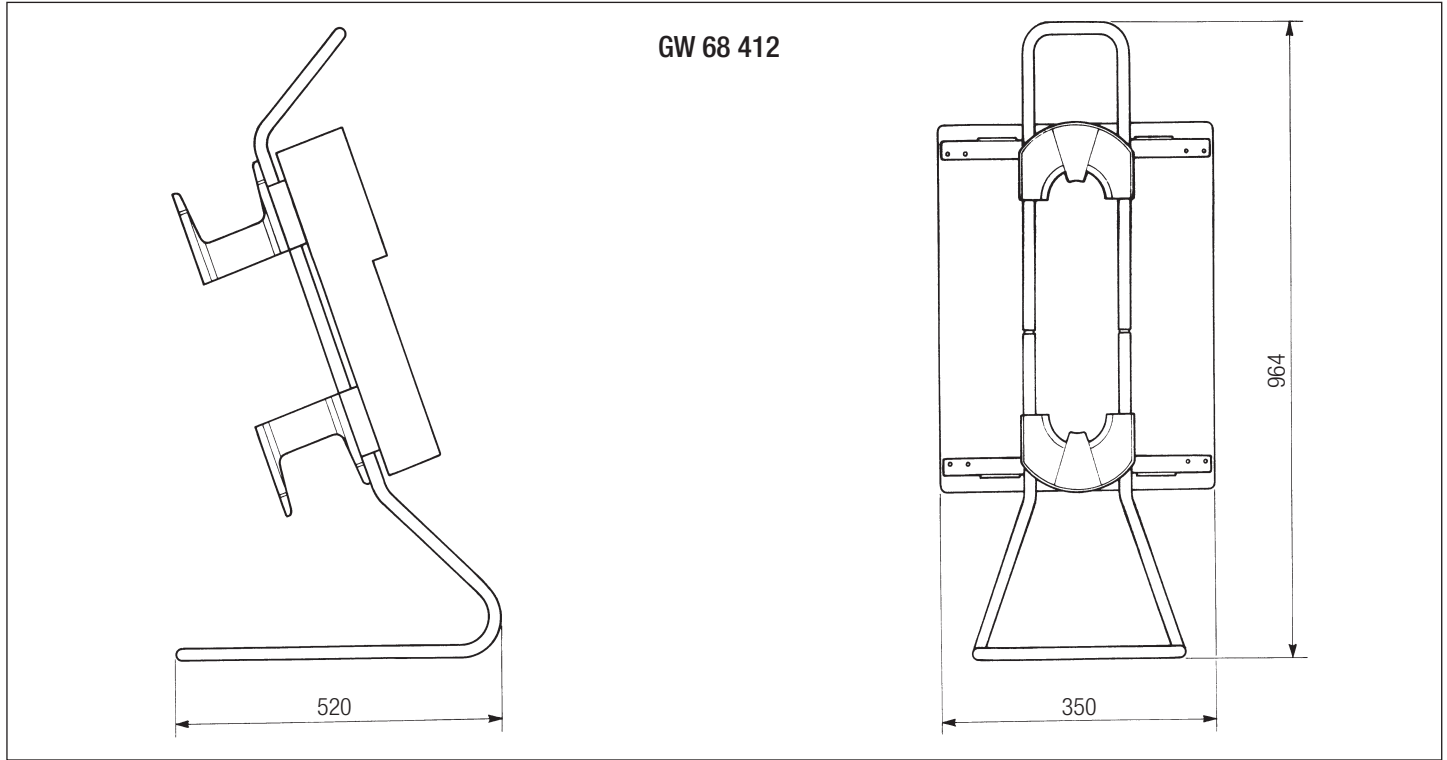
**MAX 20 m**  
H 70 RN - F 5x4 mm<sup>2</sup>



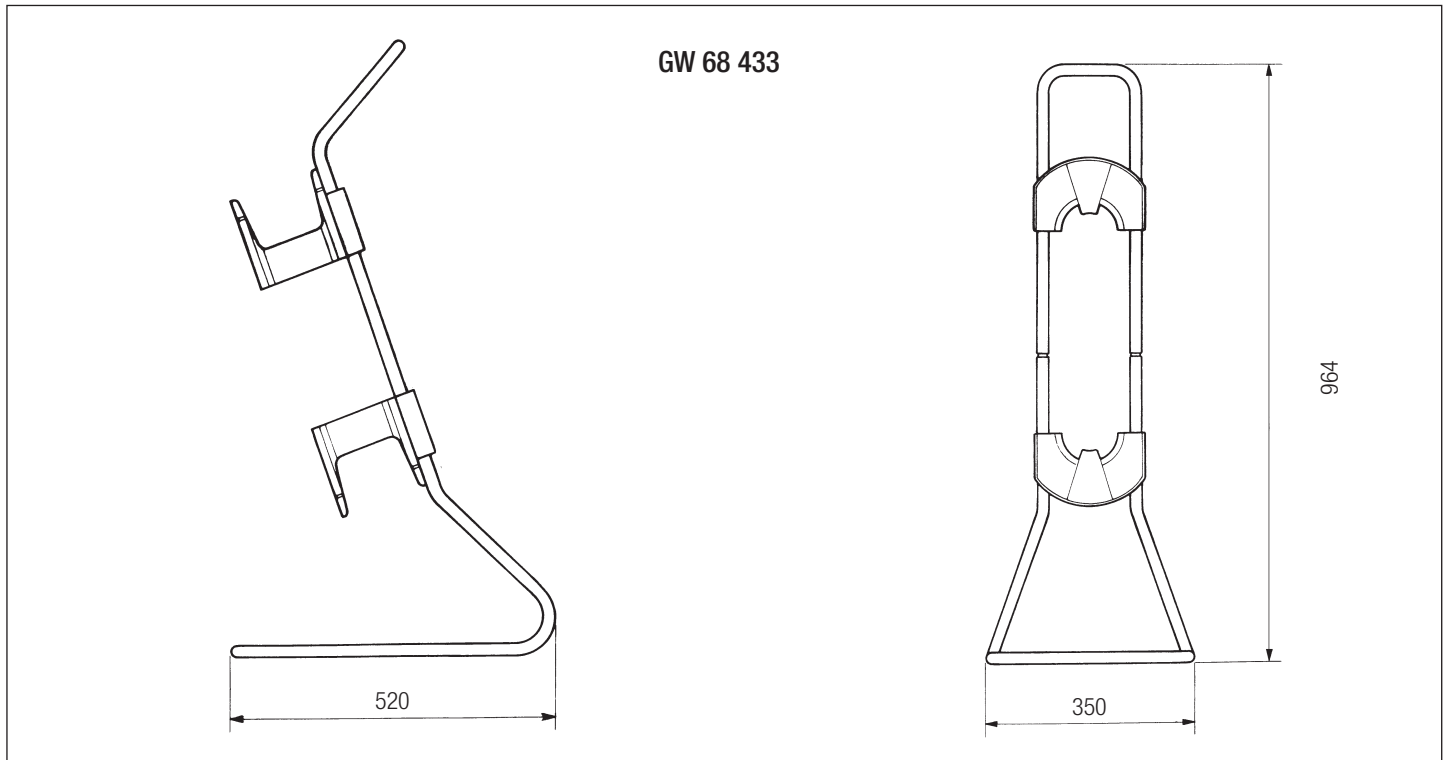
**MAX 7 kW**  
15 H 70 RN - F 5x2,5 mm<sup>2</sup>



**MAX 10 kW**  
15 H 70 RN - F 5x2,5 mm<sup>2</sup>



75540770



Punto di contatto indicato in adempimento ai fini delle direttive e regolamenti UE applicabili:  
Contact details according to the relevant European Directives and Regulations:  
GEWISS S.p.A. Via D.Bosatelli, 1 IT-24069 Cenate Sotto (BG) Italy tel: +39 035 946 111 E-mail: qualitymarks@gewiss.com

According to applicable UK regulations, the company responsible for placing the goods in UK market is:  
GEWISS UK LTD - Unity House, Compass Point Business Park, 9 Stocks Bridge Way, ST IVES  
Cambridgeshire, PE27 5JL, United Kingdom tel: +44 1954 712757 E-mail: gewiss-uk@gewiss.com



**+39 035 946 111**  
8:30 - 12:30 / 14:00 - 18:00  
lunedì - venerdì / monday - friday



[www.gewiss.com](http://www.gewiss.com)



ULTIMA REVISIONE 02/20