

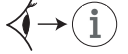
GW70026
GW70027
GW70028



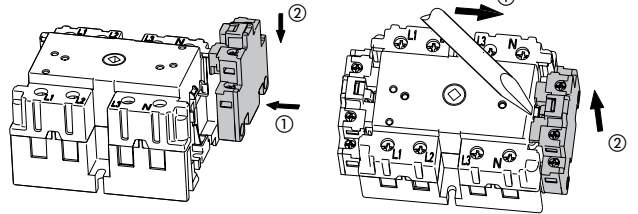
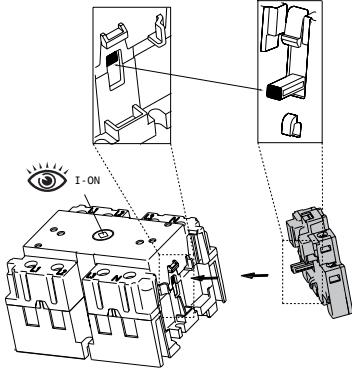
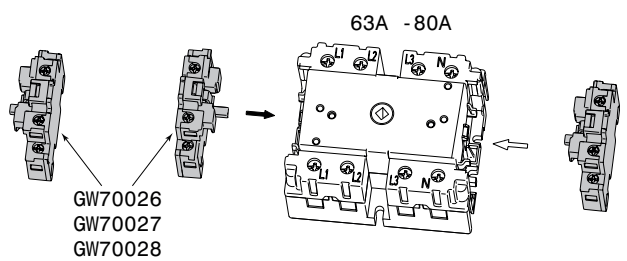
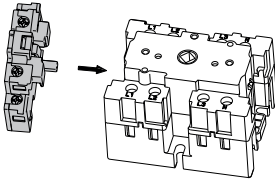
GW70035
GW70036



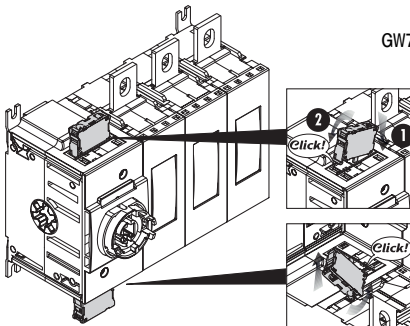
GW70029



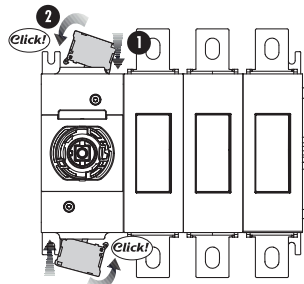
16A - 25A - 32A - 40A



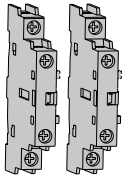
200A - 250A - 315A - 400A - 630A - 800A



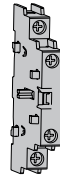
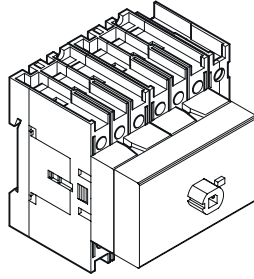
GW70035 - GW70036



16A - 25A - 32A - 40A

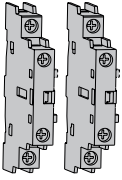


GW70029

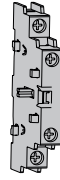
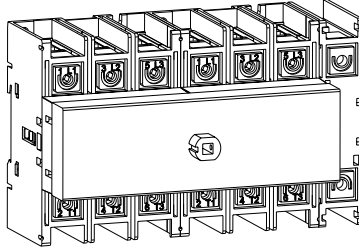


GW70029

63A - 100A

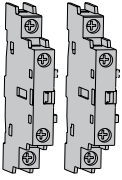


GW70029

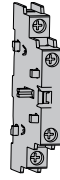
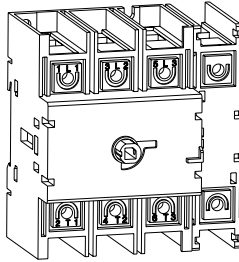


GW70029

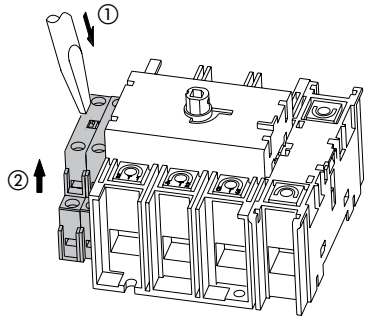
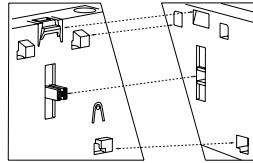
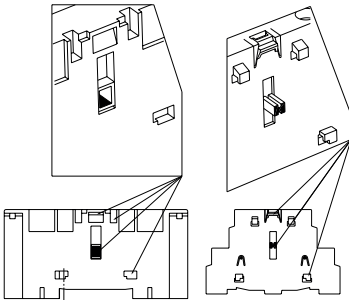
100A - 125A - 160A



GW70029



GW70029



Punto di contatto indicato in adempimento ai fini delle direttive e regolamenti UE applicabili:
Contact details according to the relevant European Directives and Regulations:
GEWISS S.p.A. Via A.Volta, 1 IT-24069 Cenate Sotto (BG) Italy tel: +39 035 946 111 E-mail: qualitymarks@gewiss.com

According to applicable UK regulations, the company responsible for placing the goods in UK market is:
GEWISS UK LTD - Unity House, Compass Point Business Park, 9 Stocks Bridge Way, ST IVES
Cambridgeshire, PE27 5JL, United Kingdom tel: +44 1954 712757 E-mail: gewiss-uk@gewiss.com



+39 035 946 11

8:30 - 12:30 / 14:00 - 18:00
lunedì - venerdì / monday - friday



www.gewiss.com

