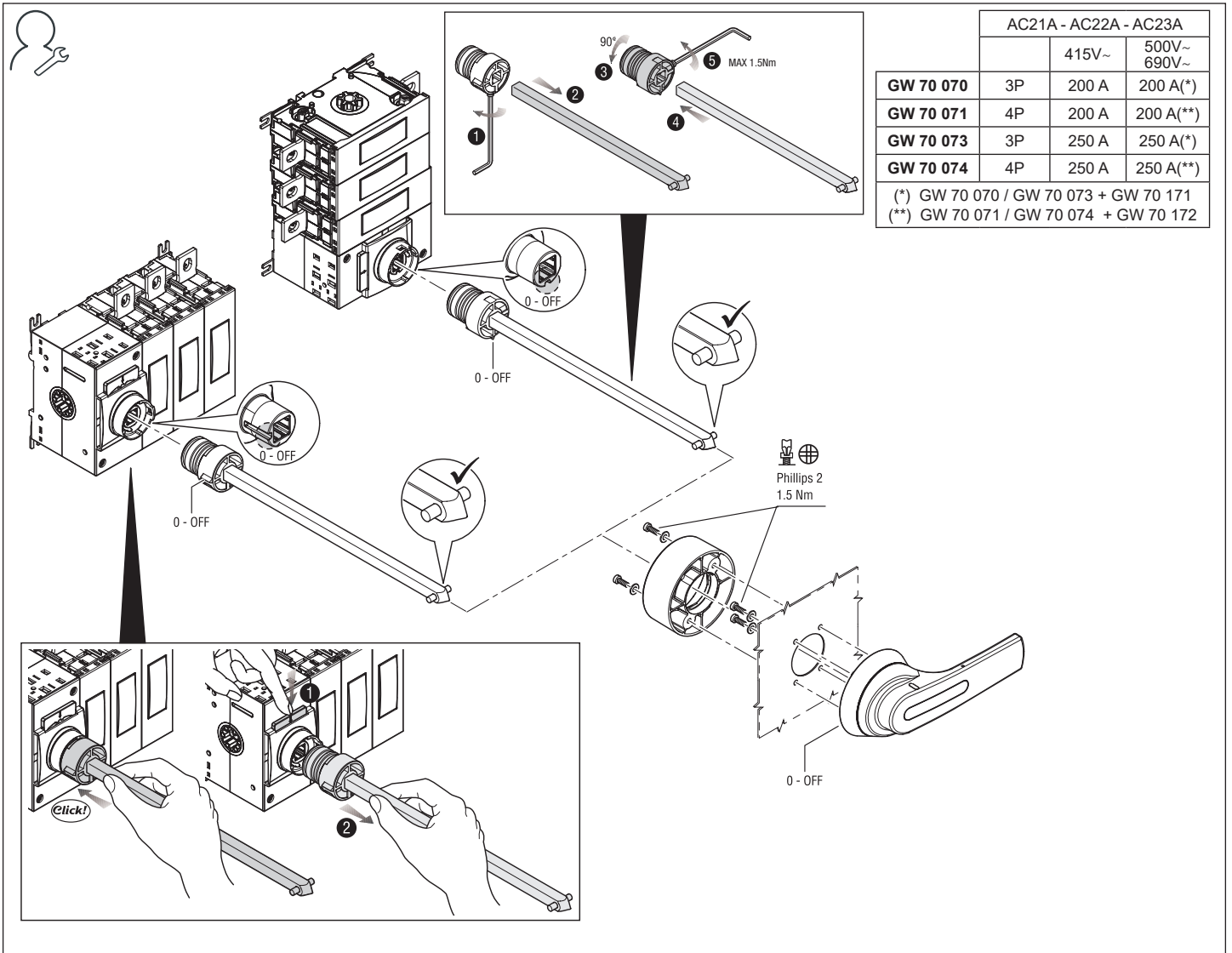


70 RT



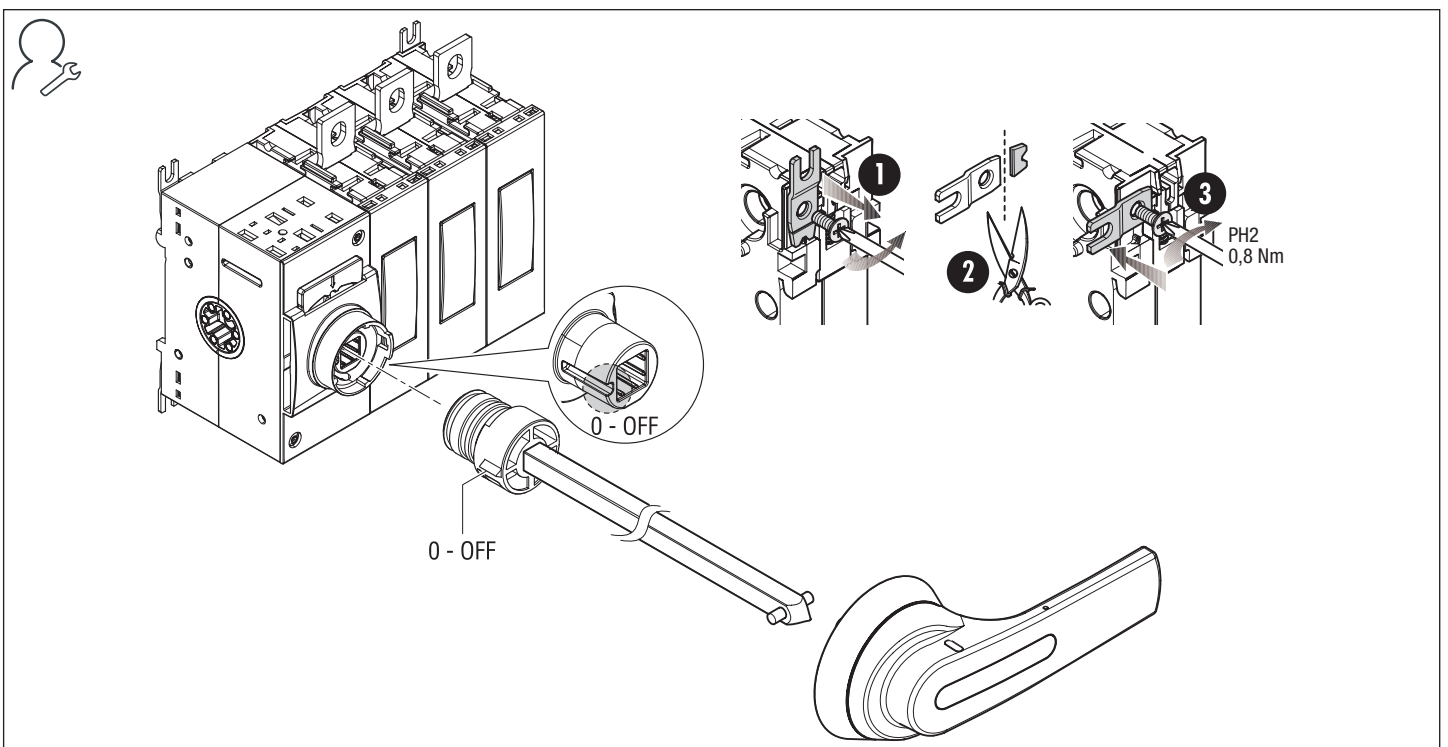
GEWISS

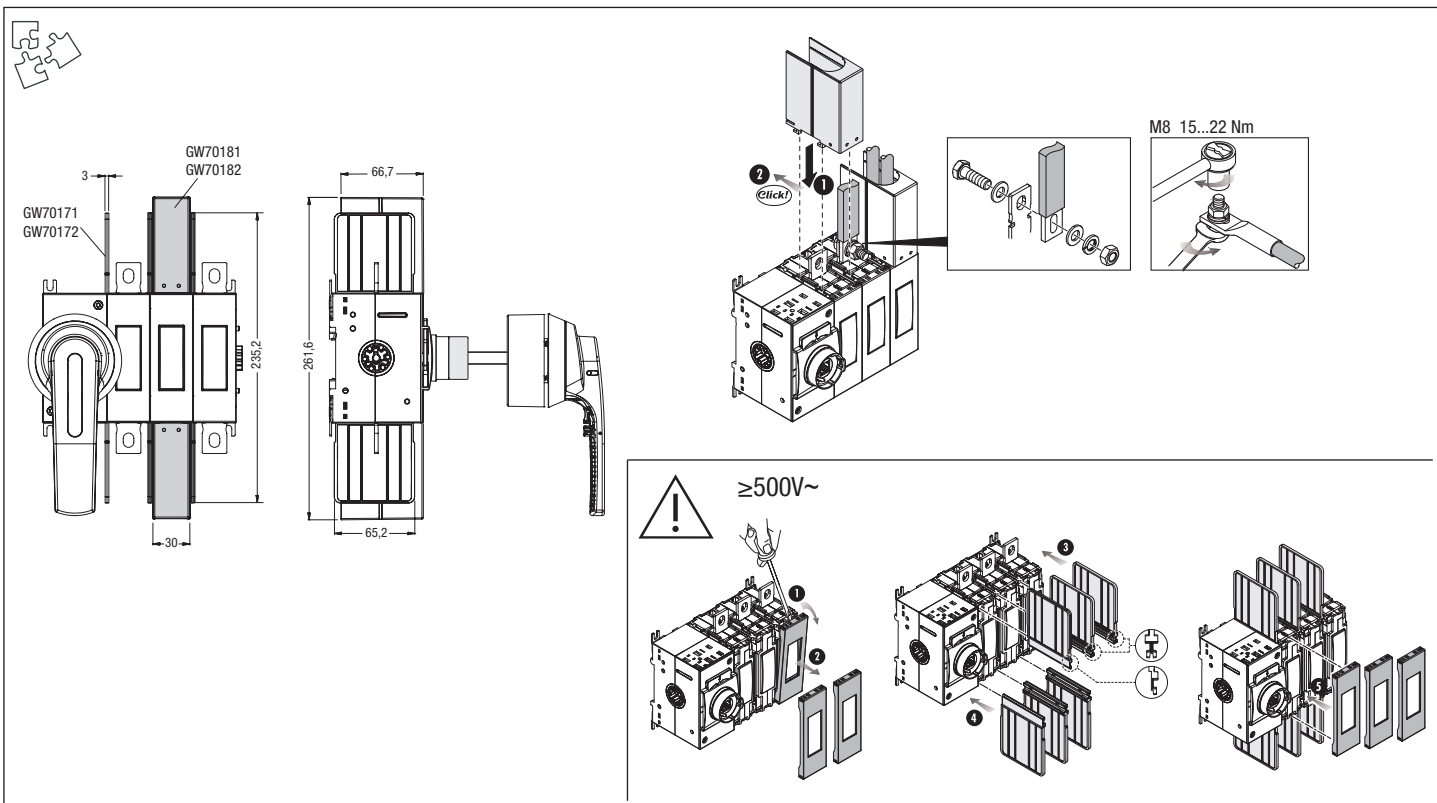
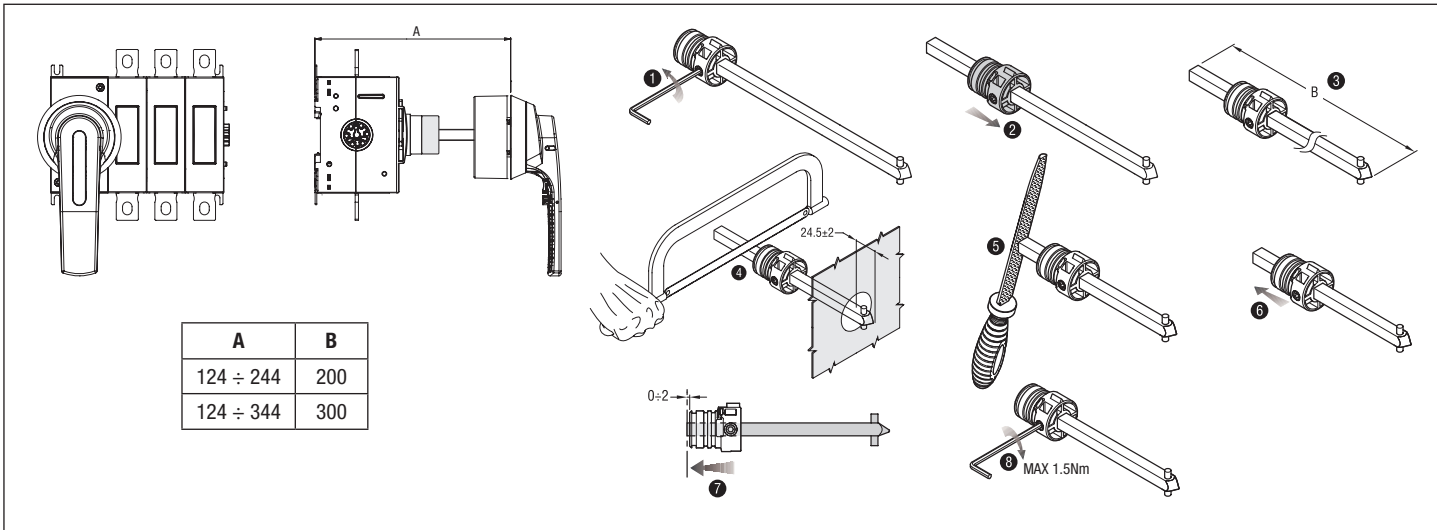
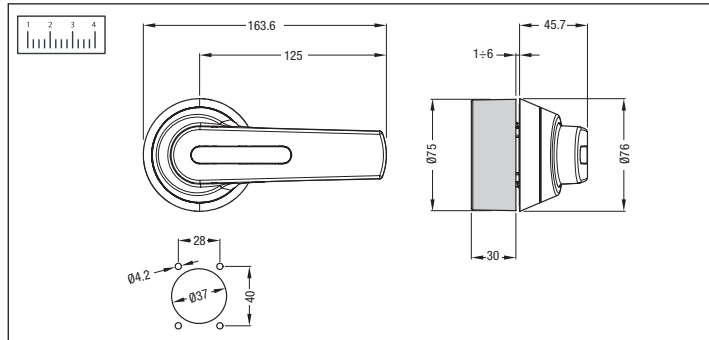
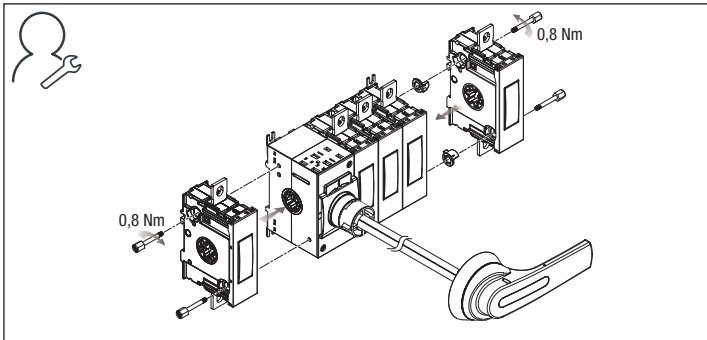
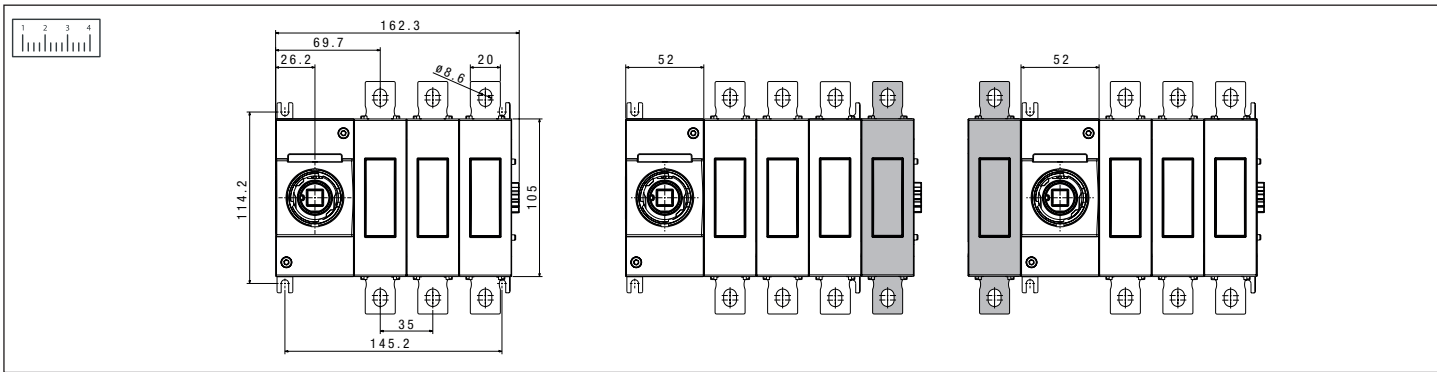
CE UK
CA



	AC21A - AC22A - AC23A	
	415V~	500V~ 690V~
GW 70 070	3P 200 A	200 A(*)
GW 70 071	4P 200 A	200 A(**)
GW 70 073	3P 250 A	250 A(*)
GW 70 074	4P 250 A	250 A(**)

(*) GW 70 070 / GW 70 073 + GW 70 171
(**) GW 70 071 / GW 70 074 + GW 70 172



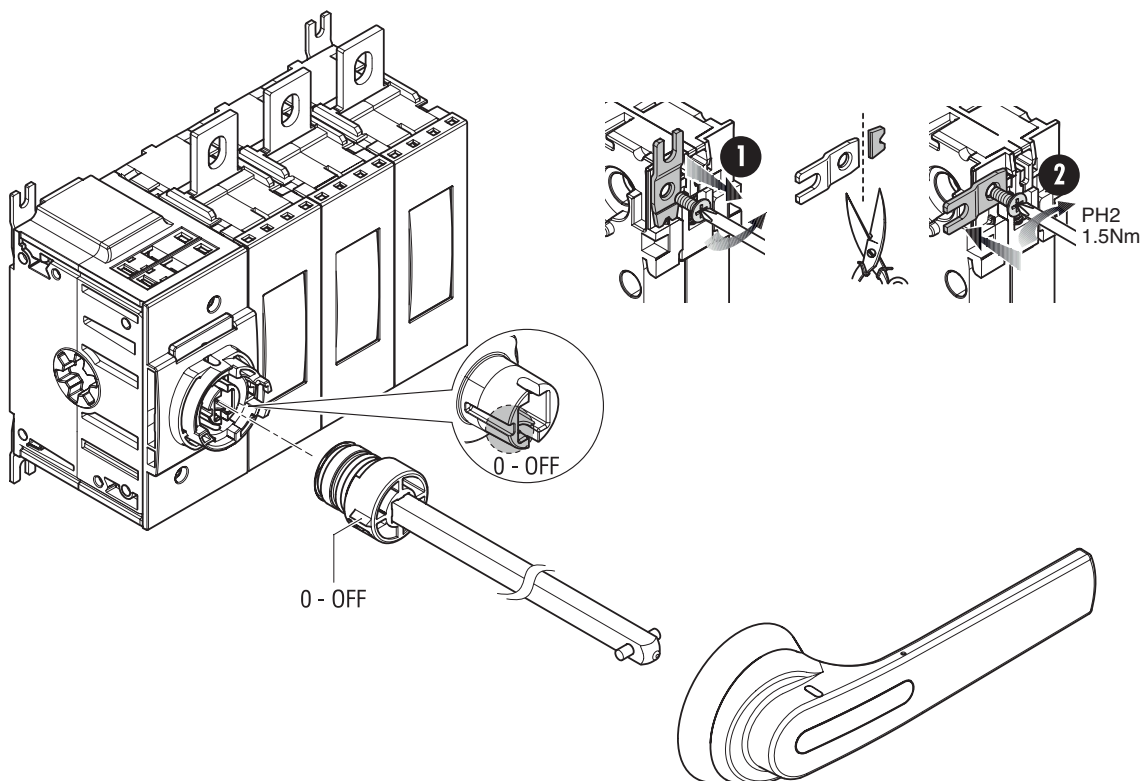
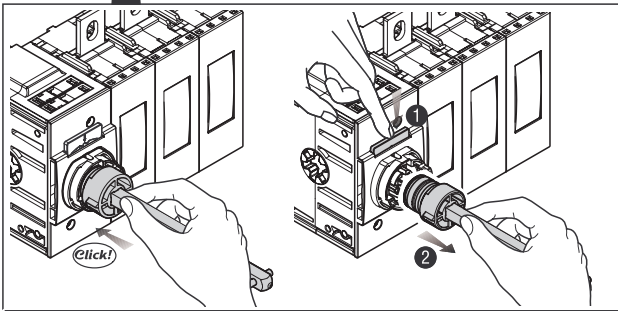
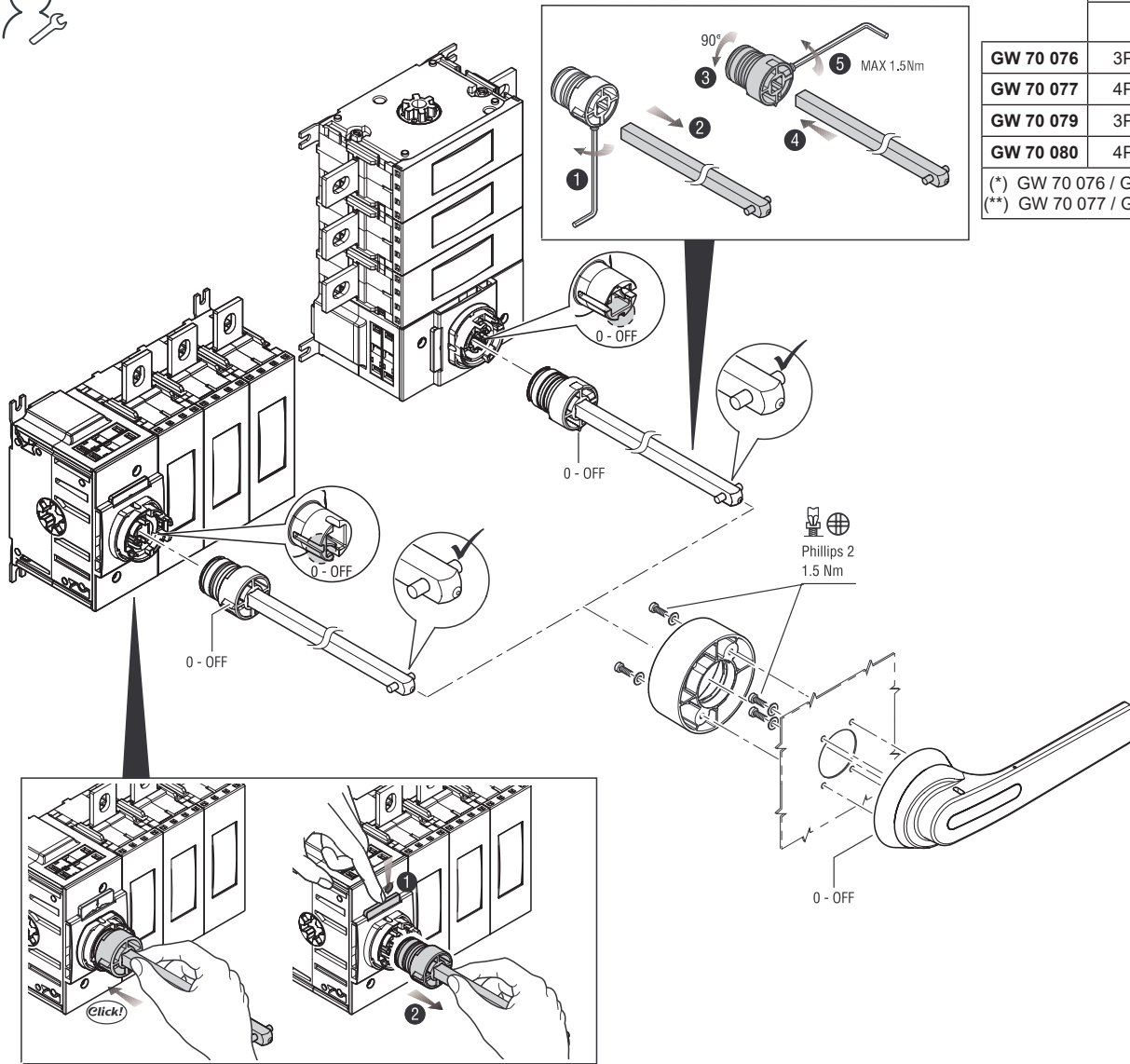


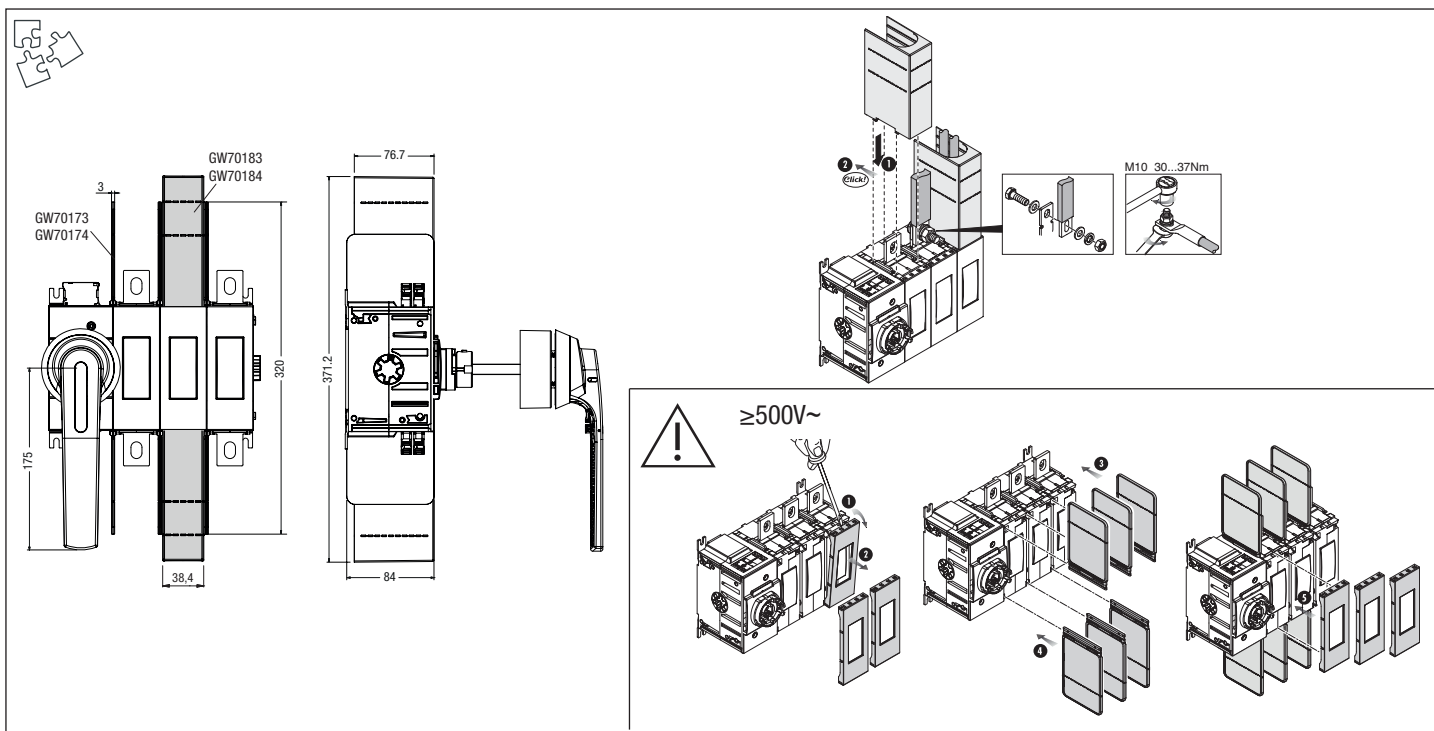
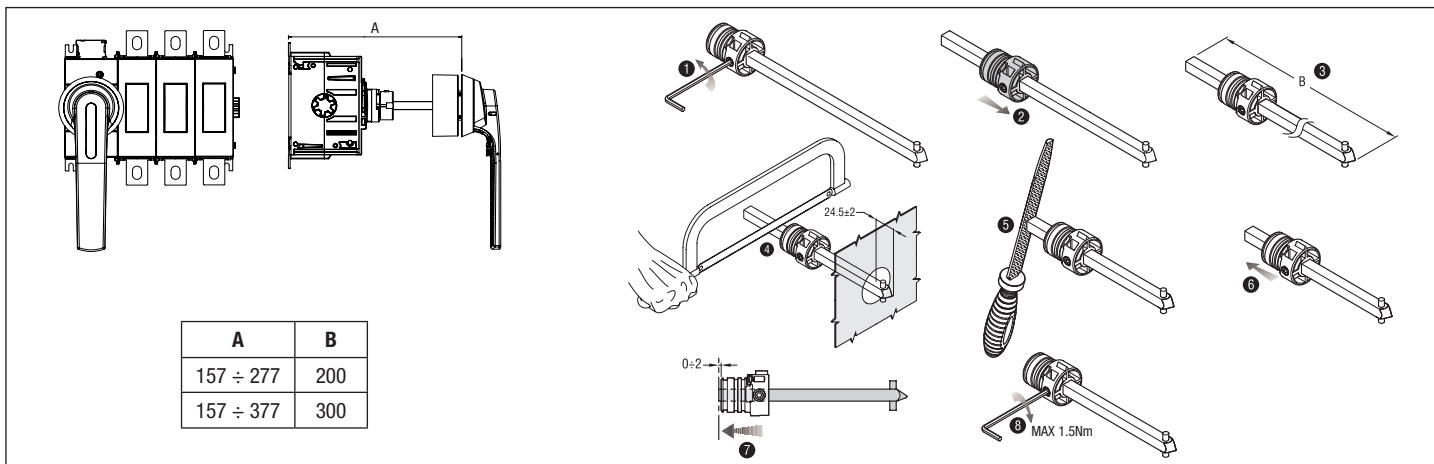
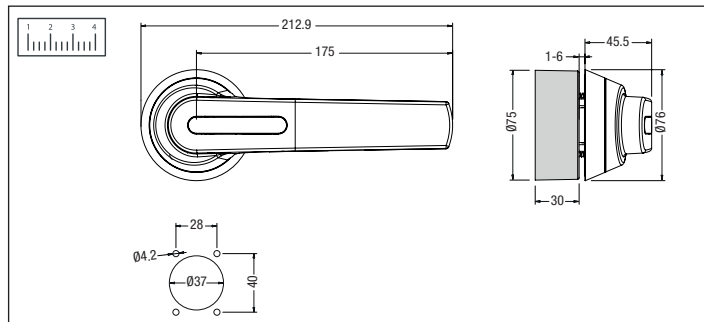
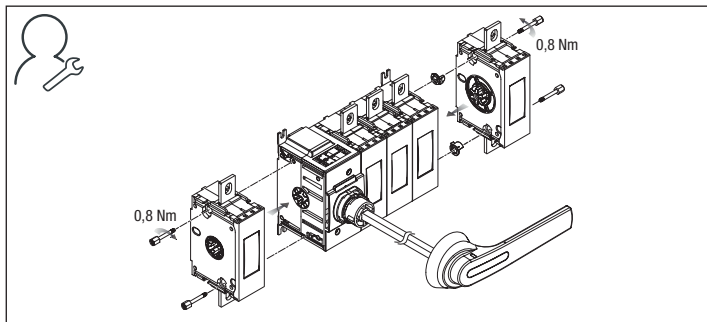
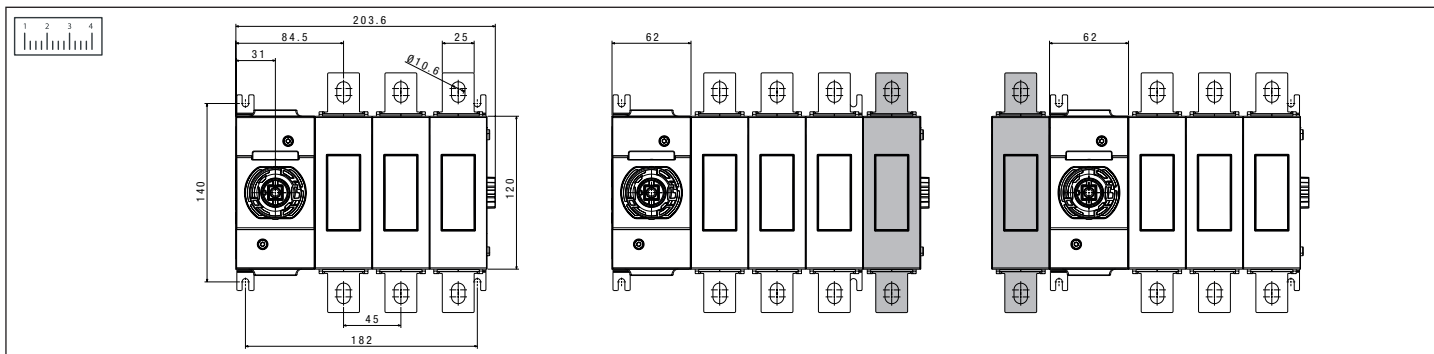


AC21A - AC22A - AC23A

		415V~	500V~ 690V~
GW 70 076	3P	315 A	315 A(*)
GW 70 077	4P	315 A	315 A(**)
GW 70 079	3P	400 A	400 A(*)
GW 70 080	4P	400 A	400 A(**)

(*) GW 70 076 / GW 70 079 + GW 70 173
 (**) GW 70 077 / GW 70 080 + GW 70 174





Punto di contatto indicato in adempimento ai fini delle direttive e regolamenti UE applicabili:
 Contact details according to the relevant European Directives and Regulations:
 GEWISS S.p.A. Via A.Volta, 1 IT-24069 Cenate Sotto (BG) Italy tel: +39 035 946 111 E-mail: qualitymarks@gewiss.com

According to applicable UK regulations, the company responsible for placing the goods in UK market is:
 GEWISS UK LTD - Unity House, Compass Point Business Park, 9 Stocks Bridge Way, ST IVES
 Cambridgeshire, PE27 5JL, United Kingdom tel: +44 1954 712757 E-mail: gewiss-uk@gewiss.com

+39 035 946 11
 8:30 - 12:30 / 14:00 - 18:00
 lunedì - venerdì / monday - friday

www.gewiss.com

