

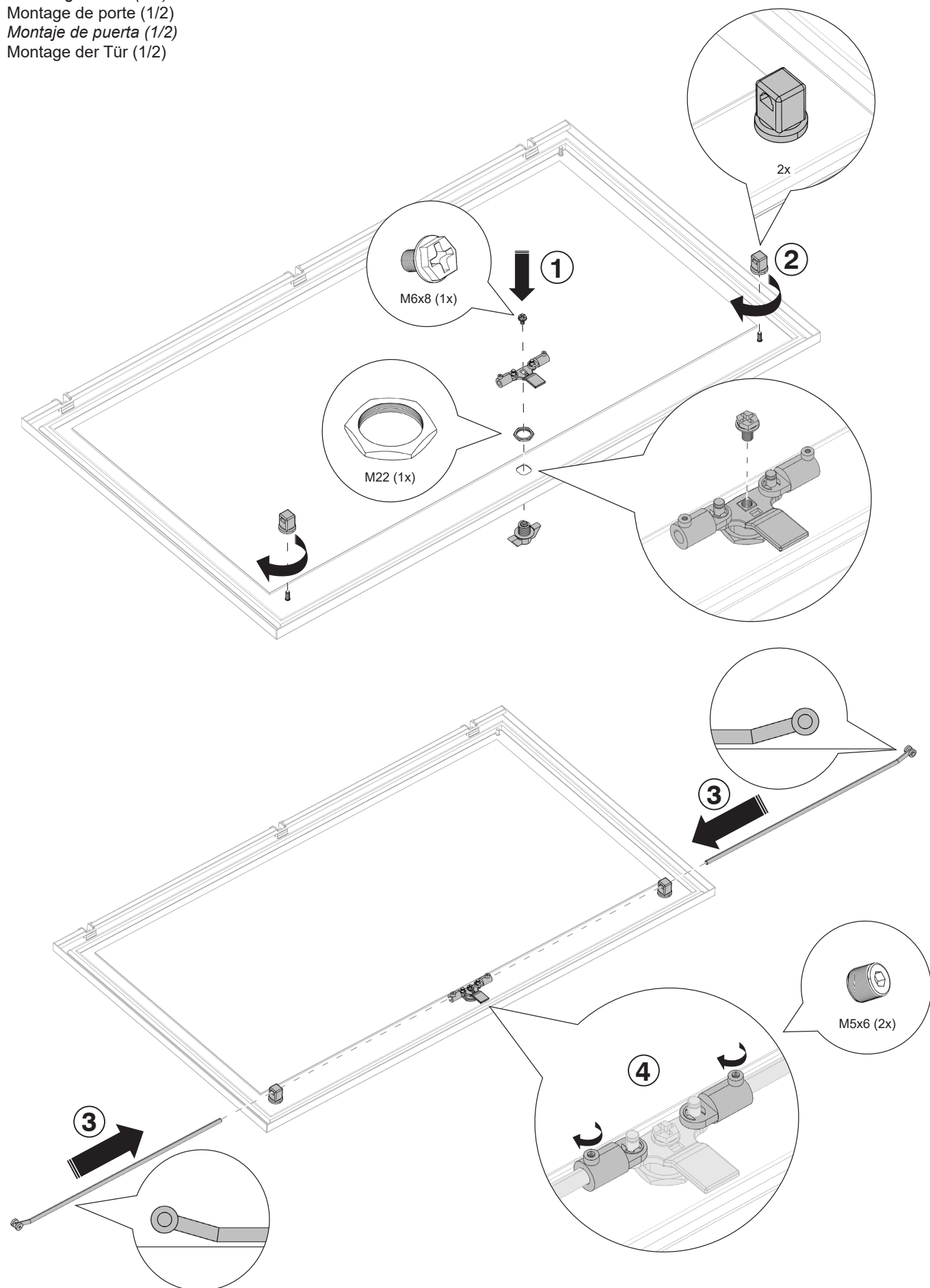
QDX 630H - IP55

GEWISS

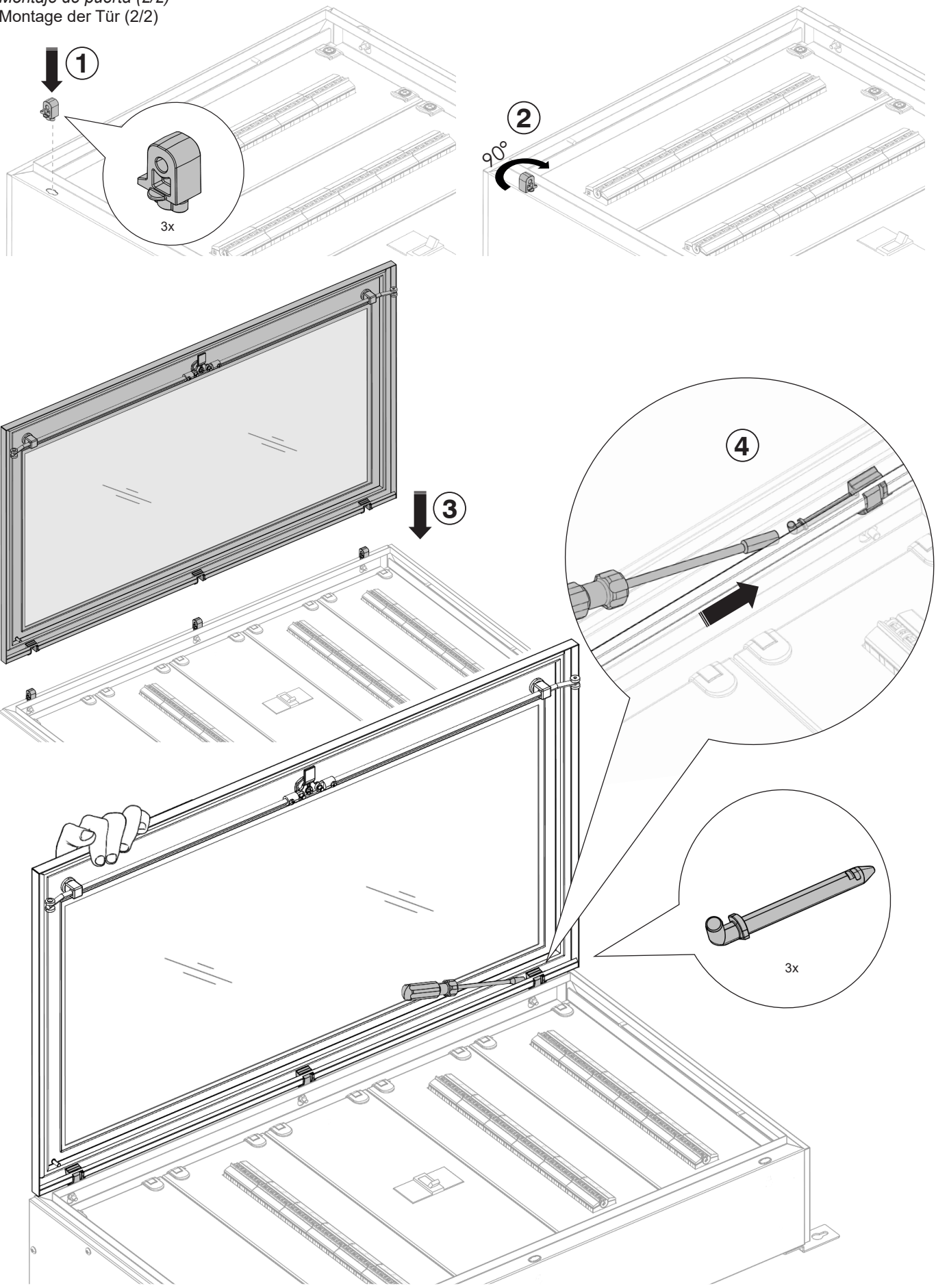


<p>Cod. GWD3651</p>	<p>Cod. GWD3653</p>	<p>Cod. GWD3655</p>	<p>Cod. GWD3657</p>

<p>Cod. GWD3652</p>	<p>Cod. GWD3654</p>	<p>Cod. GWD3656</p>	<p>Cod. GWD3658</p>

Montaggio porta (1/2)*Mounting of door (1/2)**Montage de porte (1/2)**Montaje de puerta (1/2)**Montage der Tür (1/2)*

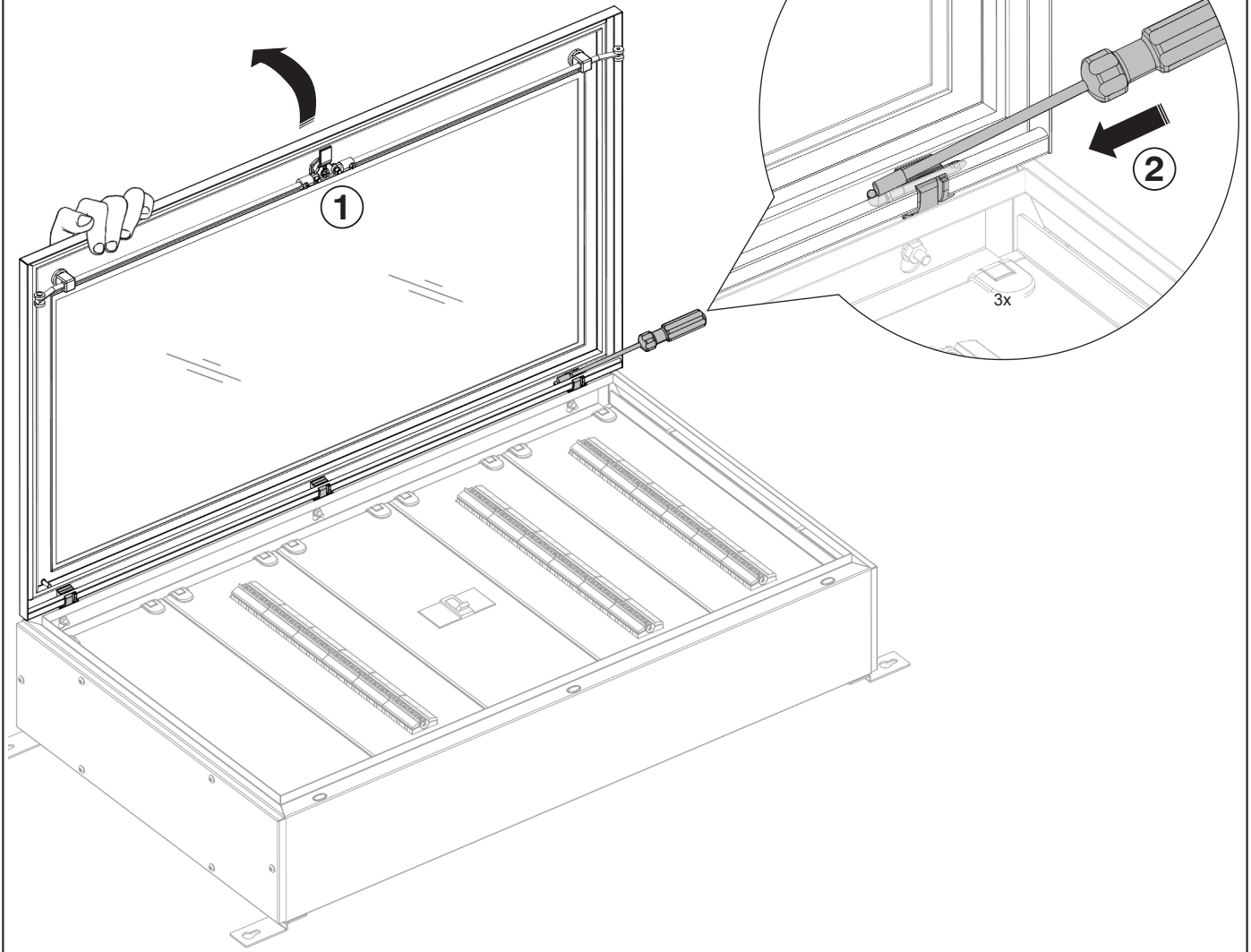
Montaggio porta (2/2)
Mounting of door (2/2)
Montage de porte (2/2)
Montaje de puerta (2/2)
Montage der Tür (2/2)



3

Smontaggio porta

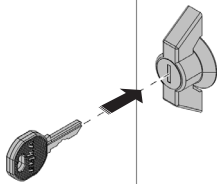
Disassembly of door
 Démontage de porte
 Desmontaje de puerta
 Demontage der Tür



4

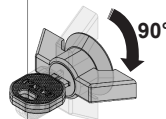
Apertura/Chiusura porta

Opening/Closing of door
 Ouverture/Fermeture de porte
 Apertura/Cierre de puerta
 Öffnung/Schliessen der Tür

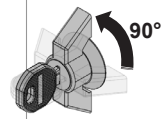


180°

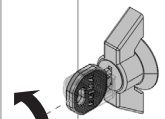
1



2



1



180°

2

Punto di contatto indicato in adempimento ai fini delle direttive e regolamenti UE applicabili:
 Contact details according to the relevant European Directives and Regulations:
 GEWISS S.p.A. Via D.Bosatelli, 1 IT-24069 Cenate Sotto (BG) Italy tel: +39 035 946 111 E-mail: qualitymarks@gewiss.com

According to applicable UK regulations, the company responsible for placing the goods in UK market is:
 GEWISS UK LTD - Unity House, Compass Point Business Park, 9 Stocks Bridge Way, ST IVES
 Cambridgeshire, PE27 5JL, United Kingdom tel: +44 1954 712757 E-mail: gewiss-uk@gewiss.com

**+39 035 946 111**

8:30 - 12:30 / 14:00 - 18:00

lunedì - venerdì / monday - friday

www.gewiss.com