



**0,8 Nm PZ1**

3 2 1 N L

$\le 4\text{mm}^2$

8mm

<b>3600W</b>	<b>350W LED</b>
<b>1500W MAX. 24V</b>	<b>3600W</b>
<b>300W</b>	<b>300W</b>



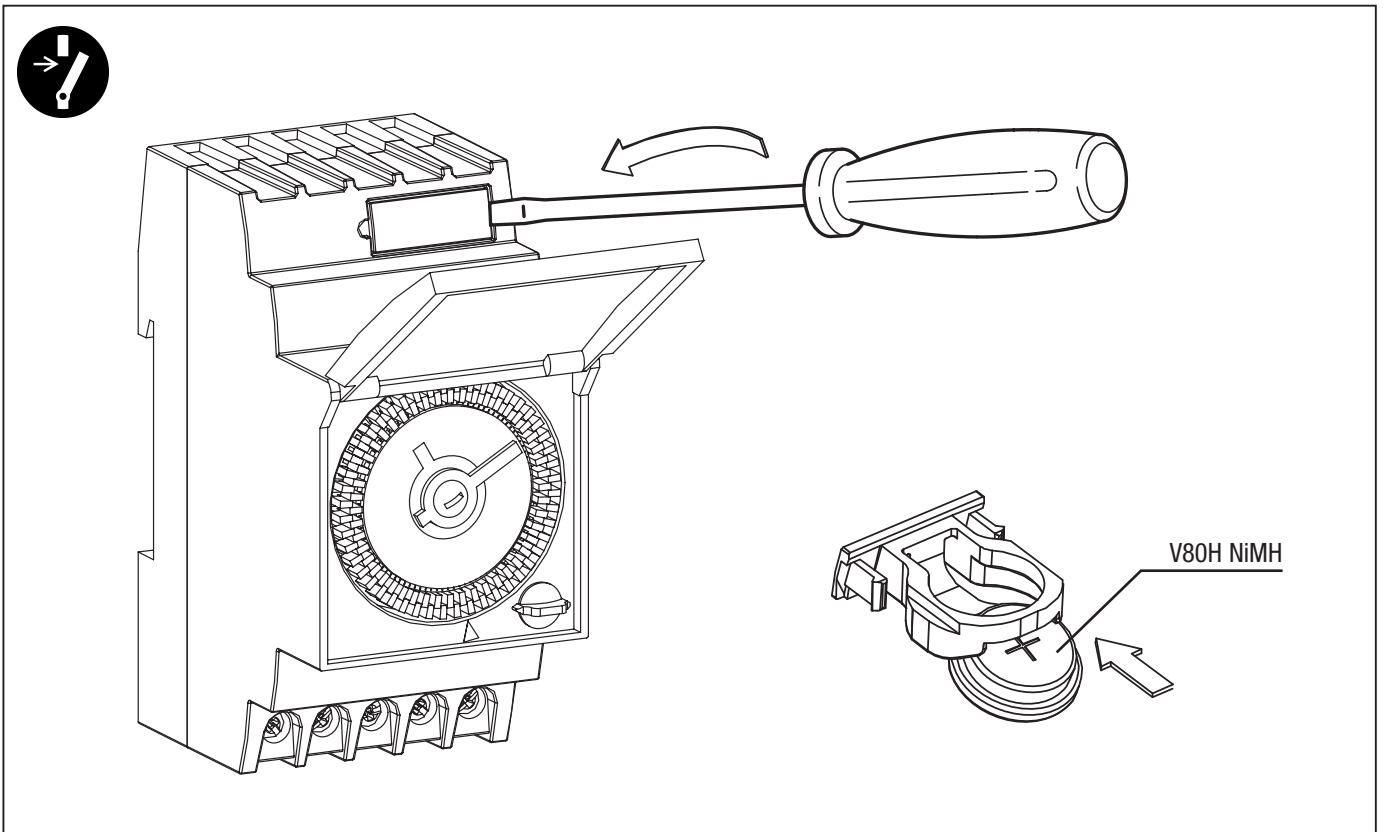
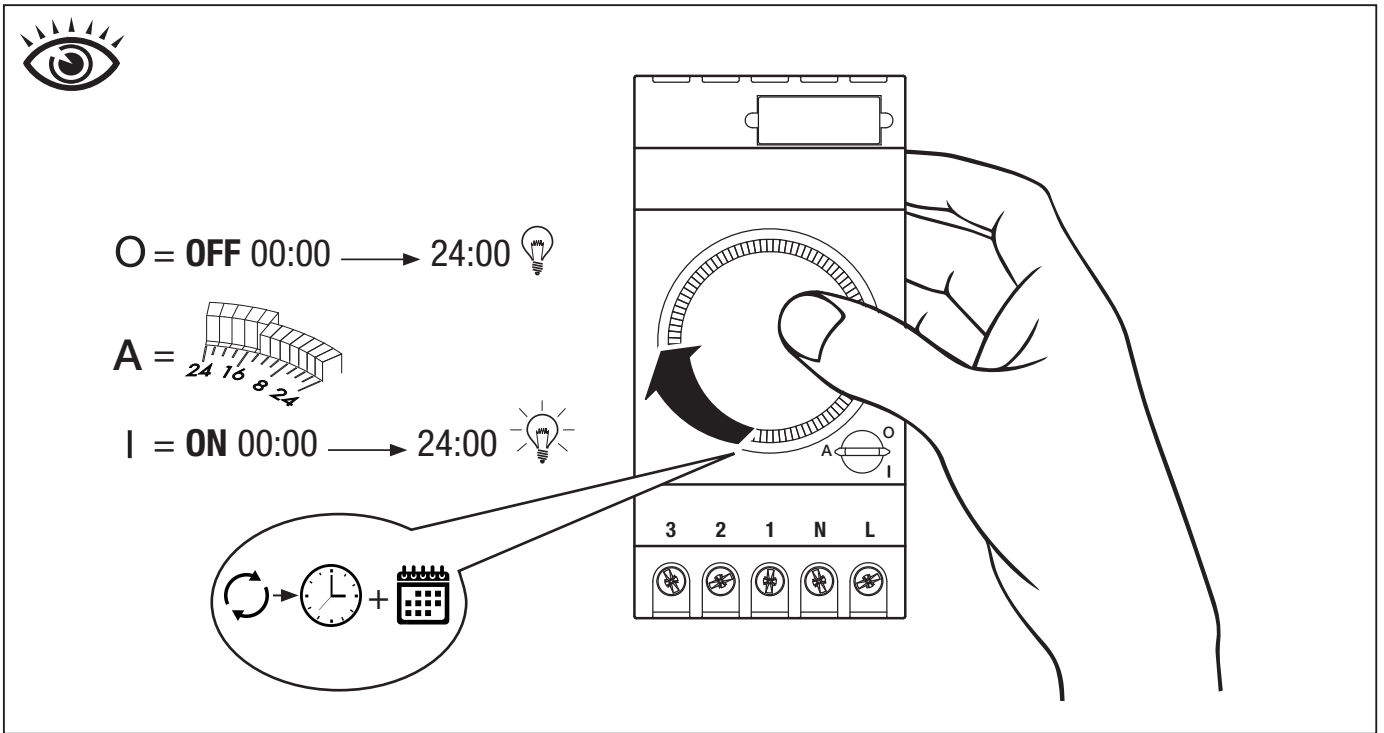
14:00 → 24:00

24:00 → 14:00

24 16 8 24

=2h

<b>5</b>	<b>1</b>
00:00 → 24:00	00:00 → 24:00
<b>6</b>	<b>2</b>
00:00 → 24:00	00:00 → 24:00
	<b>3</b>
	00:00 → 24:00
	<b>4</b>
	00:00 → 24:00
	<b>7</b>
	00:00 → 24:00

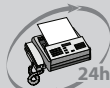


Punto di contatto indicato in adempimento ai fini delle direttive e regolamenti UE applicabili:  
 Contact details according to the relevant European Directives and Regulations:

**GEWISS S.p.A. Via A.Volta, 1 IT-24069 Cenate Sotto (BG) Italy Tel: +39 035 946 111 E-mail: qualitymarks@gewiss.com**



**+39 035 946 111**  
 8.30 - 12.30 / 14.00 - 18.00  
 lunedì ÷ venerdì - monday ÷ friday



**+39 035 946 260**



**sat@gewiss.com**  
**www.gewiss.com**