



	 0,25 Nm	U_{max} / I_{max}
		AC 250 V/1A
		DC 125 V/0,2A

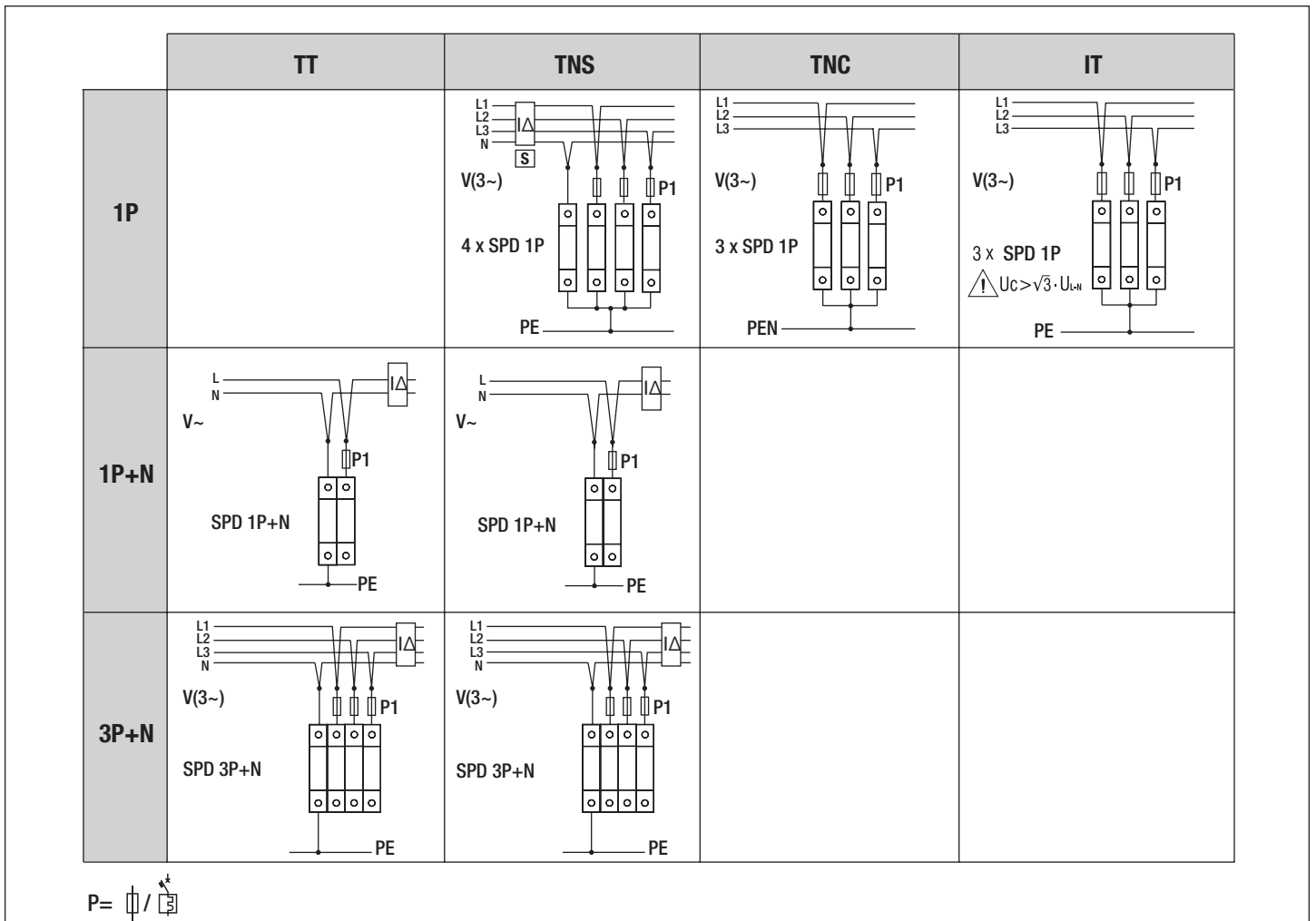
$\geq 6\text{mm}^2$
 $\leq 35\text{mm}^2$

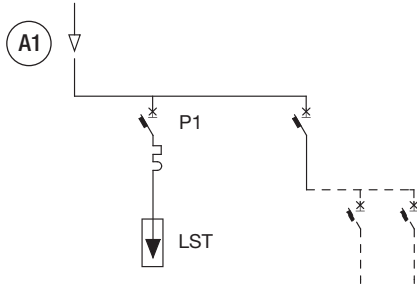
3 Nm

CLASS II
IEC 61643-11
TYPE 2
EN 61643-11

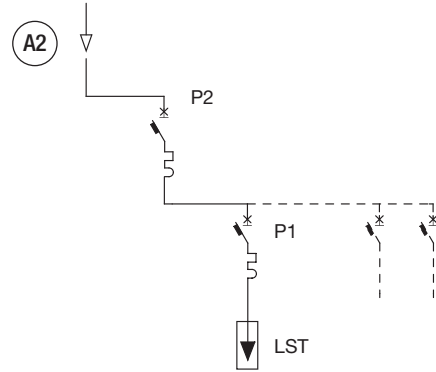
$\leq 1,5\text{mm}^2$

T2

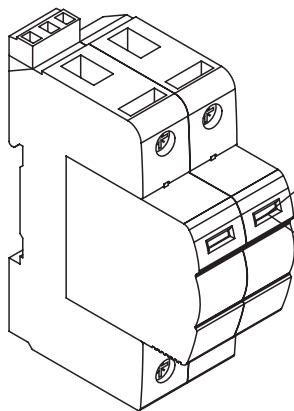
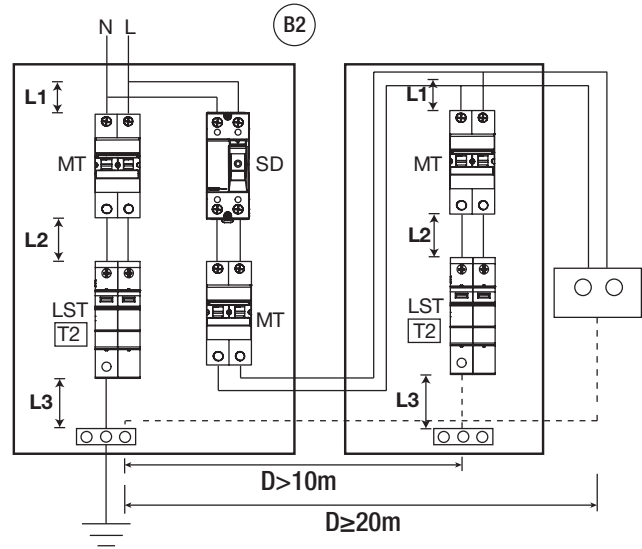
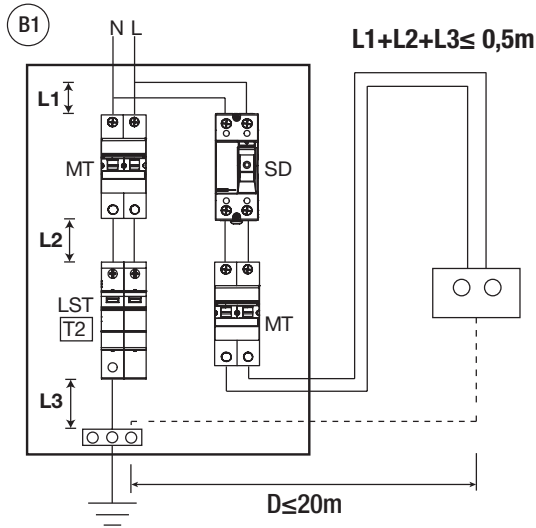




	LST $I_{max}=20kA$	LST $I_{max}=40kA$
	$P1 \leq 80A \text{ gG}$	$P1 \leq 125A \text{ gG}$
	$P1 \leq C 40A$	$P1 \leq C 50A$

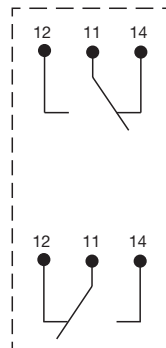


	LST $I_{max}=20kA$	LST $I_{max}=40kA$
	$P2 > 80A \text{ gG} \rightarrow P1 \leq 80A \text{ gG}$ $P2 > 80A \text{ gG} \rightarrow \text{X}$	$P2 > 125A \text{ gG} \rightarrow P1 \leq 125A \text{ gG}$ $P2 > 125A \text{ gG} \rightarrow \text{X}$
	$P2 > C 40A \rightarrow P1 \leq C 40A$ $P2 > C 40A \rightarrow \text{X}$	$P2 > C 50A \rightarrow P1 \leq C 50A$ $P2 > C 50A \rightarrow \text{X}$



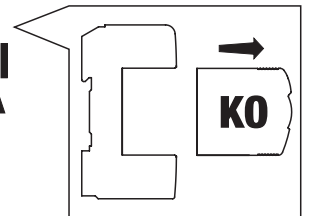
RD

GN



KO!

OK!



Punto di contatto indicato in adempimento ai fini delle direttive e regolamenti UE applicabili:
Contact details according to the relevant European Directives and Regulations:

GEWISS S.p.A. Via A.Volta, 1 IT-24069 Cenate Sotto (BG) Italy Tel: +39 035 946 111 E-mail: qualitymarks@gewiss.com



+39 035 946 111
8.30 - 12.30 / 14.00 - 18.00
lunedì - venerdì - monday - friday



+39 035 946 260



sat@gewiss.com
www.gewiss.com