

RIGID CONDUITS

RK 15 medium conduit

GENERAL CHARACTERISTIC	
Name: RK15	Application field: electrical systems and/or data transmission for all types of environment.
Colour: RAL 7035 grey	Installation type: mainly exposed on walls and ceilings.
Material: PVC	Suitable for applications inside false ceilings and floating floors.
Length supplied: 2 and 3 metre strips ($\pm 0.5\%$)	Flush-mounted in floors, walls and/or ceilings.
Standard: EN61386-1; EN 61386-21	

Characteristic according to IEC/EN 61386-21		Classification code
Resistance to compression:	Medium - 750 N	3
Resistance to impact:	Medium - 2 J	3
Lower temperature range:	-5 °C	2
Upper temperature range:	+60 °C	1
Resistance to bending:	Rigid	1
Electrical characteristics:	With electrical insulating characteristics	2
Protection against ingress of solid objects		
	Without accessories:	-
	With accessories:	4 / 6 *
Protection against ingress of water		
	Without accessories:	0
	With accessories:	0 / 5 / 7 *
Resistance against corrosion:	Not applicable to plastic conduit systems	-
Tensile strength:	None declared	0
Resistance to flame propagation:	Non-flame propagating	1
Suspended load capacity:	Not applicable	0
Insulation resistance: > 100 M Ω at 500 V for 1 minute		
Dielectric rigidity: 2000 V for 15 minutes		

* The IP degree of protection depends on the type of accessories used.

RKB heavy conduit

GENERAL CHARACTERISTIC	
Name: RKB	Application field: electrical systems and/or data transmission for all types of environment.
Colour: RAL 7035 grey	Installation type: mainly exposed on walls and ceilings.
Material: PVC	Suitable for applications inside false ceilings and floating floors.
Length supplied: 3 metre strips (±0.5%)	Flush-mounted in floors, walls and/or ceilings.
Standard: EN61386-1; EN 61386-21	

Characteristic according to IEC/EN 61386-21		Classification code
Resistance to compression:	Heavy - 1250 N	4
Resistance to impact:	Medium - 2 J	3
Lower temperature range:	-5 °C	2
Upper temperature range:	+60 °C	1
Resistance to bending:	Rigid	1
Electrical characteristics:	With electrical insulating characteristics	2
Protection against ingress of solid objects		
	Without accessories:	-
	With accessories:	4 / 6 *
Protection against ingress of water		
	Without accessories:	0
	With accessories:	0 / 5 / 7 *
Resistance against corrosion:	Not applicable to plastic conduit systems	-
Tensile strength:	None declared	0
Resistance to flame propagation:	Non-flame propagating	1
Suspended load capacity:	Not applicable	0
Insulation resistance: > 100 MΩ at 500 V for 1 minute		
Dielectric rigidity: 2000 V for 15 minutes		

* The IP degree of protection depends on the type of accessories used.

RKHF heavy conduit

GENERAL CHARACTERISTIC	
Name: RKHF	Application field: electrical systems and/or data transmission for all types of environment. Particularly suitable for installations in public places: schools, cinemas, theatres, trains, underground systems, etc.
Colour: RAL 7035 grey	Installation type: mainly exposed on walls and ceilings. Suitable for applications inside false ceilings and floating floors. Flush-mounted in floors, walls and/or ceilings.
Material: halogen-free in compliance with CEI EN 60754-2 (CEI EN 50267-2-2)	
Length supplied: 2 metre strips (±0.5%)	
Standard: EN61386-1; EN 61386-21	

Characteristic according to IEC/EN 61386-21		Classification code
Resistance to compression:	Heavy - 1250 N	4
Resistance to impact:	Heavy - 6 J	4
Lower temperature range:	-5 °C	2
Upper temperature range:	+90 °C	2
Resistance to bending:	Rigid	1
Electrical characteristics:	With electrical insulating characteristics	2
Protection against ingress of solid objects		
	Without accessories:	-
	With accessories:	4 / 6 *
Protection against ingress of water		
	Without accessories:	0
	With accessories:	0 / 5 / 7 *
Resistance against corrosion:	Not applicable to plastic conduit systems	-
Tensile strength:	None declared	0
Resistance to flame propagation:	Non-flame propagating	1
Suspended load capacity:	Not applicable	0
Insulation resistance: > 100 MΩ at 500 V for 1 minute		
Dielectric rigidity: 2000 V for 15 minutes		

* The IP degree of protection depends on the type of accessories used.

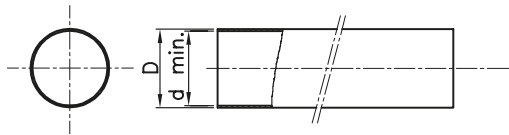
NOTE: To fix the RKHF it is suggested to use the support for diam. 50 and 60 cm

For technical information contact the Technical Assistance Service or visit gewiss.com

Dimension tables

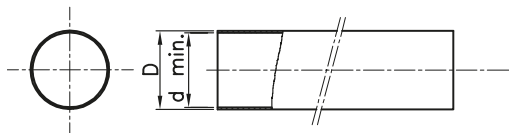
RK 15 - TUBO RIGIDO MEDIO

RK15/IRL - MEDIUM RIGID CONDUIT



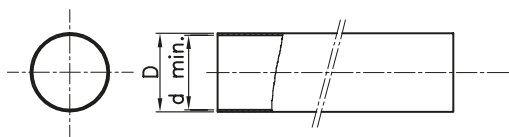
Code 2m	Code 3m	Ø tubi (mm)	D		d. min
DX 25 216	DX 25 316	16	16	$\begin{matrix} 0 \\ -0.3 \end{matrix}$	13
DX 25 220	DX 25 320	20	20	$\begin{matrix} 0 \\ -0.3 \end{matrix}$	16.9
DX 25 225	DX 25 325	25	25	$\begin{matrix} 0 \\ -0.4 \end{matrix}$	21.4
DX 25 232	DX 25 332	32	32	$\begin{matrix} 0 \\ -0.4 \end{matrix}$	27.8
	DX 25 340	40	40	$\begin{matrix} 0 \\ -0.4 \end{matrix}$	35.4
	DX 25 350	50	50	$\begin{matrix} 0 \\ -0.5 \end{matrix}$	44.3
	DX 25 363	63	63	$\begin{matrix} 0 \\ -0.6 \end{matrix}$	55

RKB HEAVY RIGID CONDUIT



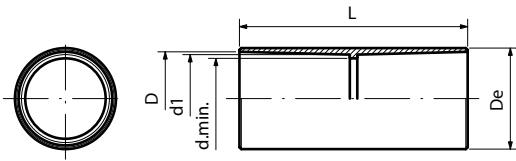
Code 2m	Code 3m	conduit Ø (mm)	D		d. min
DX 25 616	DX 25 716	16	16	$\begin{matrix} 0 \\ -0.3 \end{matrix}$	11.2
DX 25 620	DX 25 720	20	20	$\begin{matrix} 0 \\ -0.3 \end{matrix}$	15.4
DX 25 625	DX 25 725	25	25	$\begin{matrix} 0 \\ -0.4 \end{matrix}$	19.5
DX 25 632	DX 25 732	32	32	$\begin{matrix} 0 \\ -0.4 \end{matrix}$	26.8
	DX 25 740	40	40	$\begin{matrix} 0 \\ -0.4 \end{matrix}$	33.3
	DX 25 750	50	50	$\begin{matrix} 0 \\ -0.5 \end{matrix}$	42.7
	DX 25 763	63	63	$\begin{matrix} 0 \\ -0.6 \end{matrix}$	56.6

RKHF - HEAVY RIGID CONDUIT, HALOGEN-FREE



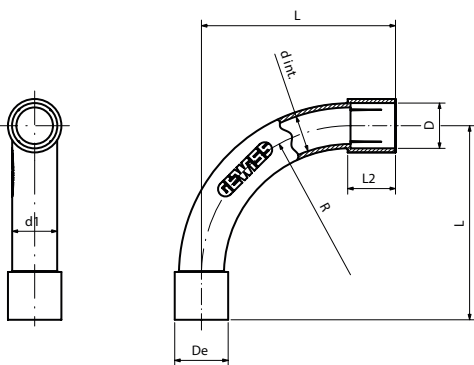
Code 2m	Code 3m	conduit Ø (mm)	D		d. min
DX 26 216	DX 26 316	16	16	$\begin{matrix} 0 \\ -0.3 \end{matrix}$	10.8
DX 26 220	DX 26 320	20	20	$\begin{matrix} 0 \\ -0.3 \end{matrix}$	14.5
DX 26 225	DX 26 325	25	25	$\begin{matrix} 0 \\ -0.4 \end{matrix}$	19.3
DX 26 232	DX 26 332	32	32	$\begin{matrix} 0 \\ -0.4 \end{matrix}$	25.8
DX 26 240		40	40	$\begin{matrix} 0 \\ -0.4 \end{matrix}$	32.8
DX 26 250		50	50	$\begin{matrix} 0 \\ -0.5 \end{matrix}$	42.4
DX 26 263		63	63	$\begin{matrix} 0 \\ -0.6 \end{matrix}$	54.6

COUPLING - IP40



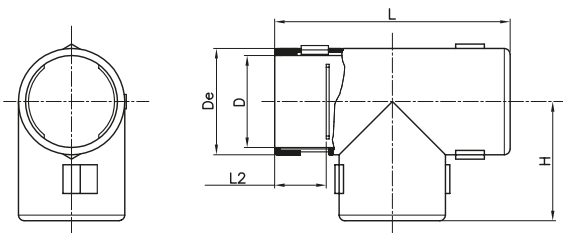
Code	For conduits Ø (mm)	D	De	d. min	d1	L
DX 40 016	16	16.2	20	14.5	16	80
DX 40 020	20	20.2	24	17.8	19.7	81
DX 40 025	25	25.3	29	23.1	24.9	81
DX 40 032	32	32.3	37	29.5	31.7	102
DX 40 040	40	40.3	45	37.4	39.7	111.5
DX 40 050	50	50.3	55	46.7	49.7	122
DX 40 063	63	63.3	68	60	62.7	130

TIGHT BEND - IP40



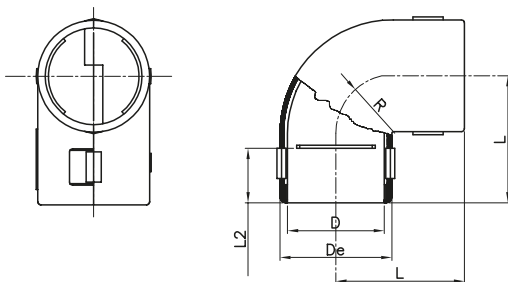
Code	For conduits Ø (mm)	D	De	d. min	D1	R	L2	L
DX 40 116	16	16.1 ^{+0.2} ₀	19	13	16 ⁰ _{-0.3}	53	17	64
DX 40 120	20	20.1 ^{+0.2} ₀	23	17	20 ⁰ _{-0.3}	65	20	79
DX 40 125	25	25.1 ^{+0.3} ₀	28	22	25 ⁰ _{-0.4}	80	28	100
DX 40 132	32	32.1 ^{+0.3} ₀	35	29	32 ⁰ _{-0.4}	95	32	110
DX 40 140	40	40.1 ^{+0.4} ₀	44	36	40 ⁰ _{-0.4}	120	40	138
DX 40 150	50	50.1 ^{+0.4} ₀	54	46	50 ⁰ _{-0.5}	140	50	173
DX 40 163	63	63.1 ^{+0.6} ₀	68	55	63 ⁰ _{-0.6}	157	63	253

INSPECTABLE T - IP40



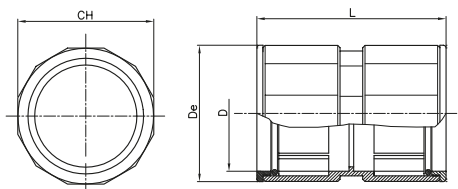
Code	For conduits Ø (mm)	D	De	L	H	L2
DX 40 216	16	16.1	20	65	32.5	17
DX 40 220	20	20.1	24.5	70.5	35.25	17.5
DX 40 225	25	25.1	30	75.5	37.75	18.5
DX 40 232	32	32.1	37	82.3	41.15	18.5

INSPECTABLE BEND - IP40



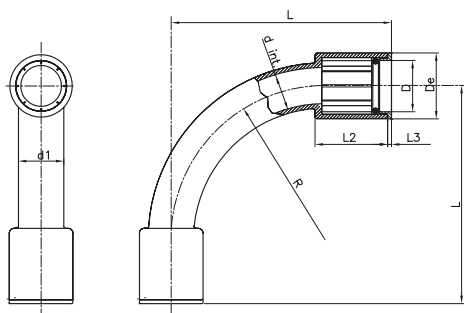
Code	For conduits Ø (mm)	D	De	L	R	L2
DX 40 316	16	16.1	20	32	11	17
DX 40 320	20	20.1	24.5	33	14	17
DX 40 325	25	25.1	30	39	18	18
DX 40 332	32	32.1	37	42	22	18

RELEASE COUPLING MORBIDX® - IP67



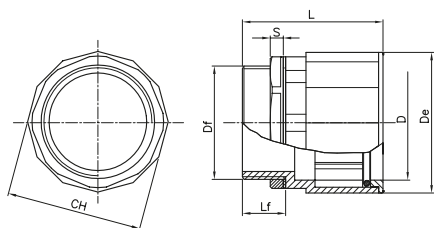
Code	For conduits Ø (mm)	D	De	L	CH
DX 43 016	16	16.3	25	77.6	25
DX 43 020	20	20.3	28.8	79	29
DX 43 025	25	25.4	33.4	79	34
DX 43 032	32	32.5	39.9	78.6	42
DX 43 040	40	40.7	48.7	81.6	49
DX 43 050	50	50.6	59.2	81.6	60

RELEASE NARROW RADIUS BEND MORBIDX® - IP67



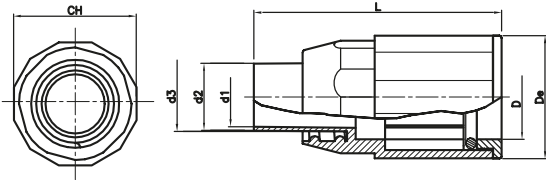
Code	For conduits Ø (mm)	D	De	d int.	d1	L	R	L2	L3
DX 43 116	16	16.3	25	12	16	78.8	58	32	1.8
DX 43 120	20	20.3	28.8	16	20	89	68	32	2
DX 43 125	25	25.4	33.4	21	25	109	88	32	2
DX 43 132	32	32.5	39.9	28	32	111.8	98	32	1.8
DX 43 140	40	40.7	48.7	36	40	137.8	120	40	1.8
DX 43 150	50	50.6	59.2	46	50	151.8	150	50	1.8

RELEASE CONDUIT MORBIDX® - BOX UNION - IP67



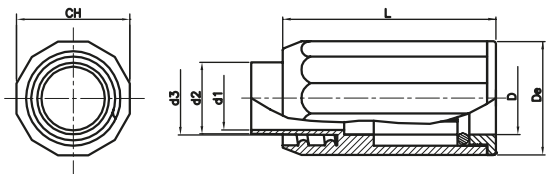
Code	For conduits Ø (mm)	D	De	L	CH	Df	Lf	S nut	CH nut
DX 43 216	16	16.3	25	51.8	25	M16x1.5	11	7	22
DX 43 220	20	20.3	28.8	53	29	M20x1.5	12	7	27
DX 43 225	25	25.4	33.4	57	34	M25x1.5	16	8	32
DX 43 232	32	32.5	39.9	55.8	42	M32x1.5	15	8	40
DX 43 240	40	40.7	48.7	59.8	50	M40x1.5	17	9	47
DX 43 250	50	50.6	59.2	61.3	60	M50x1.5	19	9	57

RELEASE CONDUIT MORBIDX® - SHEATH UNION - IP65



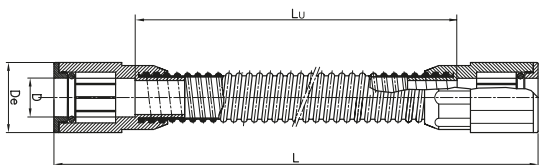
Code	For conduits Ø (mm)	D	De	d1	d2	d3	L	CH
DX 43 316	16	16.3	25	10.5	16	12.2	54.8	25
DX 43 320	20	20.3	28.8	14.5	20	16.2	58	29
DX 43 325	25	25.4	33.4	18.5	25	20.2	64	34
DX 43 332	32	32.5	39.9	23.5	32	25	69.8	42
DX 43 340	40	40.7	48.7	30	40	32.2	74.8	52
DX 43 350	50	50.6	59.2	38	50	40.2	81.8	60

RELEASE CONDUIT MORBIDX® - SHEATH UNION EQUAL DIAMETER - IP65



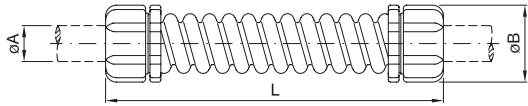
Code	For conduits Ø (mm)	D	De	d1	d2	d3	L	CH
DX 43 416	16	16.3	25	14	15.8	16	57.8	26
DX 43 420	20	20.3	28.8	18	19.8	20	64	30
DX 43 425	25	25.4	33.4	22.5	24.8	25	70	34
DX 43 432	32	32.5	39.9	30	31.8	32	71.8	45
DX 43 440	40	40.7	48.7	38	39.8	40	81.8	54

LA SVOLTA CONDUIT-CONDUIT UNION MORBIDX® - IP65



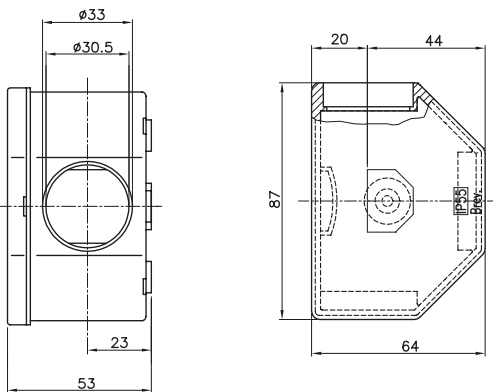
Code	For conduits Ø (mm)	D	De	Lu	L
DX 43 516	16	16.3	25	110	178
DX 43 520	20	20.3	28.8	132	200
DX 43 525	25	25.4	33.4	209	285
DX 43 532	32	32.5	39.9	301	378
DX 43 540	40	40.7	48.7	302	383
DX 43 550	50	50.6	59.2	311	388

50 AC RANGE - IP 44 - IP 66 SPEEDY-FLEX COUPLINGS

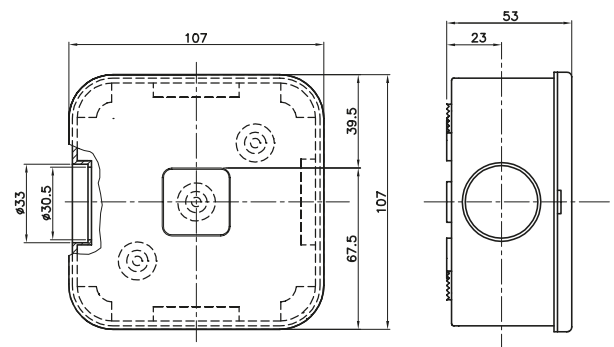


Code	$\varnothing A$ (mm)	$\varnothing B$ (mm)	L	Code	$\varnothing A$ (mm)	$\varnothing B$ (mm)	L
GW 50 201	16	27	140	GW 50 207	16	24	135
GW 50 202	20	31.5	160	GW 50 208	20	30	160
GW 50 203	25	41	205	GW 50 209	25	35	205
GW 50 204	32	55	290	GW 50 210	32	45	280
GW 50 205	40	65	400	GW 50 211	40	55	400
GW 50 206	50	72	515	GW 50 212	50	65	515

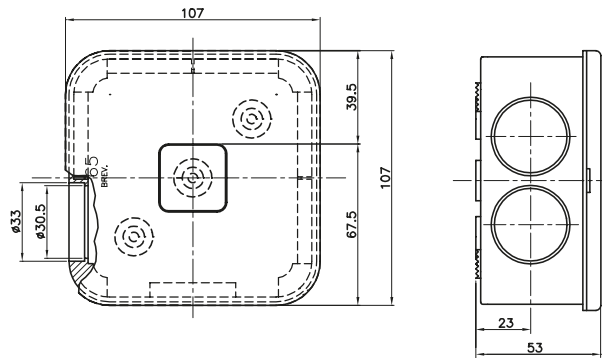
TRIX® - THREE-INPUT BOX



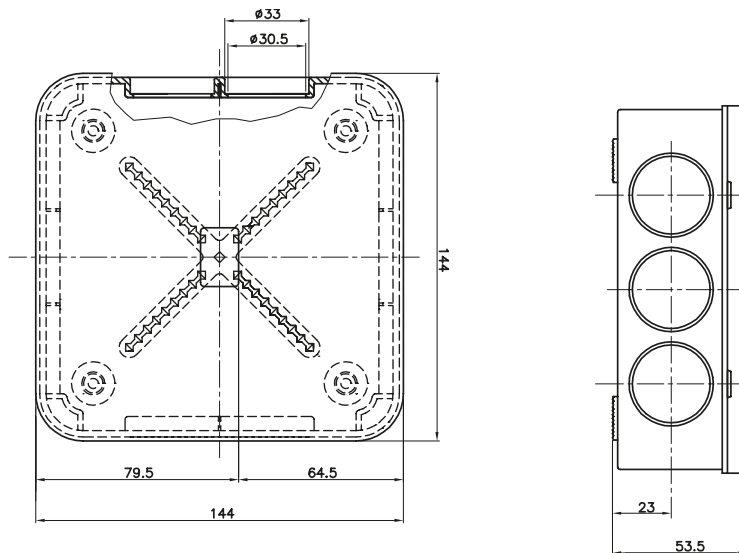
QUADRIX® - FOUR-INPUT BOX



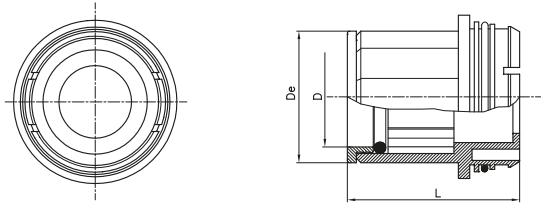
QUADRIX® - SEVEN-INPUT BOX



QUADRIX® - TEN-INPUT BOX

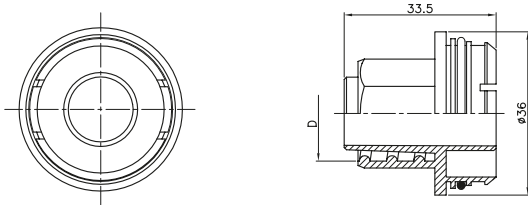


TRIX®/QUADRIX® - CONDUIT MORBIDX® UNION



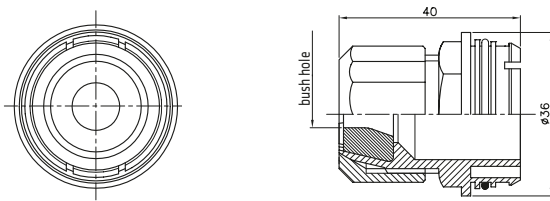
Code	For conduits Ø (mm)	D	De	L
DX 47 616	16	16.3	25	37.8
DX 47 620	20	20.3	28.8	38
DX 47 625	25	25.4	33.4	38

SHEATH-TRIX®/QUADRIX® UNION



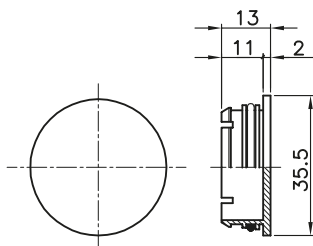
Code	For sheaths Ø (mm)	D
DX 47 212	12	16.4
DX 47 216	16	20.8
DX 47 220	20	26

CABLE - TRIX®/QUADRIX® CABLE GLAND UNION



Code	cable Ø (mm)	Bush hole
DX 47 503	from Ø 3 to Ø 6	Ø 6
DX 47 506	from Ø 6 to Ø 9	Ø 9
DX 47 509	from Ø 9 to Ø 12	Ø 12

CLOSURE CAP - CODE DX 47 000



BOX-BOX - COUPLING - CODE DX 47 001

