

## UNDERFLOOR OUTLET BOXES

### TECHNICAL CHARACTERISTICS

Standard: IEC EN 606070-1 (CEI 23-48); IEC EN 60670-23; IEC EN 60670-24 (CEI 23-49) (\*)

Degree of protection: IP52 between the edge of the underfloor box and the floor  
IP40 between the lid and the interior of the box  
(excluding the exit point of the cables)  
IP20 in the point of exit of the cables

Installation temperature: Max +45°C; Min -5°C

Material: GW PLAST technopolymer, halogen-free in accordance with EN 60754-2 (CEI EN 50267-2-2)

Point load resistance: 500N

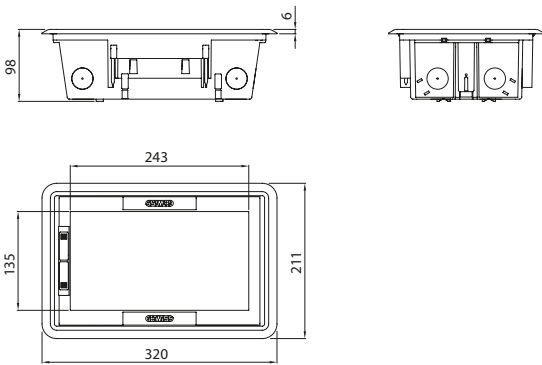
Distributed load resistance: 1000N

Resistance to abnormal heat and fire: Glow wire test 850°C

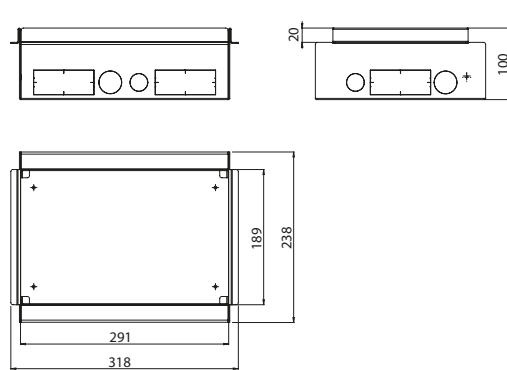
## Dimension tables

### UNDERFLOOR OUTLET BOXES

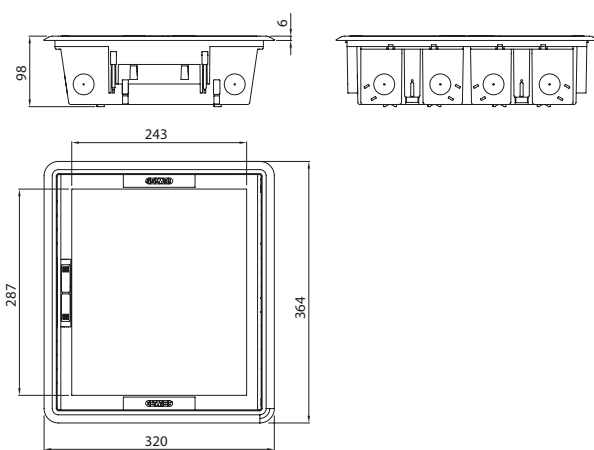
10 modules



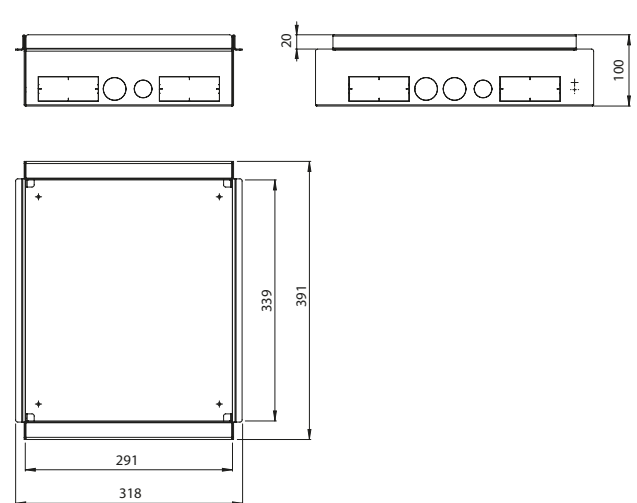
10 modules



20 modules



20 modules



## FLUSH-MOUNTING BOXES FOR MASONRY WALLS

### TECHNICAL CHARACTERISTICS

Standard: IEC 60670-1; EN 60670-1;

Degree of protection: IP40

Installation temperature: max. +60°C; min. -15°C

Material: GW PLAST technopolymer, halogen-free in accordance with EN 60754-2 (CEI EN 50267-2-2)

Impact resistance: IK 07

Heat resistance: thermo-pressure with ball 70°C

Resistance to abnormal heat and fire: Glow wire test 650°C

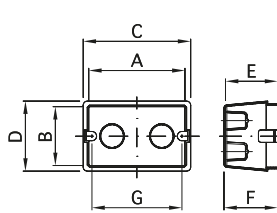
Installation: for masonry walls

### BEHAVIOUR WITH CHEMICAL AND ATMOSPHERIC AGENTS

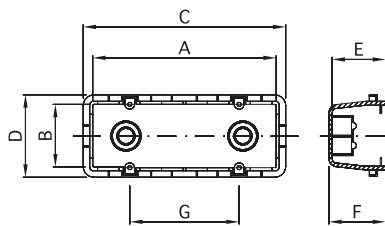
| Saline solution | Acids         |               | Bases              |                    | Solvents      |               |               |                    | Mineral oil        | UV rays            |
|-----------------|---------------|---------------|--------------------|--------------------|---------------|---------------|---------------|--------------------|--------------------|--------------------|
|                 | Concentrated  | Diluted       | Concentrated       | Diluted            | Hexane        | Benzol        | Acetone       | Ethyl alcohol      |                    |                    |
| Resistant       | Not resistant | Not resistant | Limited resistance | Limited resistance | Not resistant | Not resistant | Not resistant | Limited resistance | Limited resistance | Limited resistance |

## Dimension tables

### FLUSH-MOUNTING BOXES



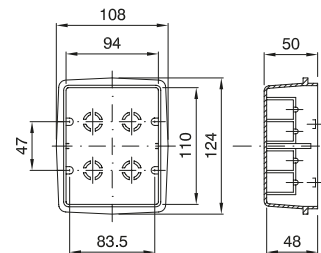
3 gang GW 24 403  
4 gang GW 24 404



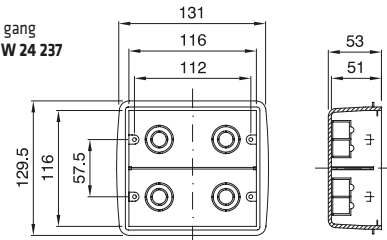
6 gang GW 24 406

| Code | GW 24 403      | GW 24 404      | GW 24 406      |
|------|----------------|----------------|----------------|
|      | 3 gang BIG BOX | 4 gang BIG BOX | 6 gang BIG BOX |
| A    | 96             | 121            | 171            |
| B    | 58             | 58             | 60             |
| C    | 119            | 144            | 194            |
| D    | 80             | 85             | 90             |
| E    | 49             | 49             | 49             |
| F    | 50.5           | 50.5           | 50.5           |
| G    | 83.5           | 108.5          | 100            |

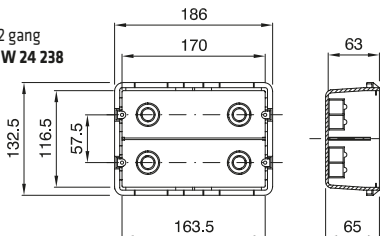
6 gang GW 24 206



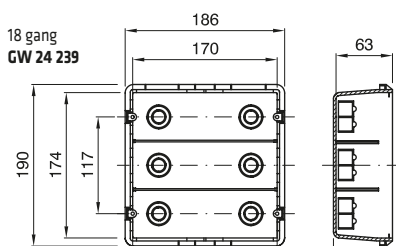
8 gang GW 24 237



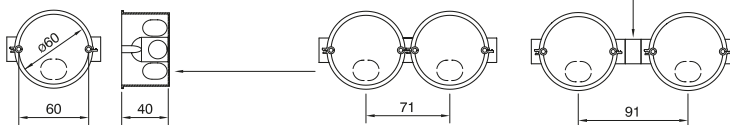
12 gang GW 24 238



18 gang GW 24 239

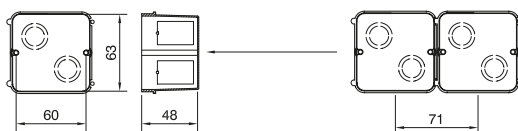


ROUND GW 24 232



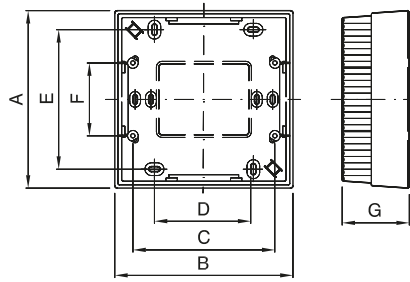
GW 24 233

SQUARE GW 24 231



## PLAYBUS WALL-MOUNTING BOXES

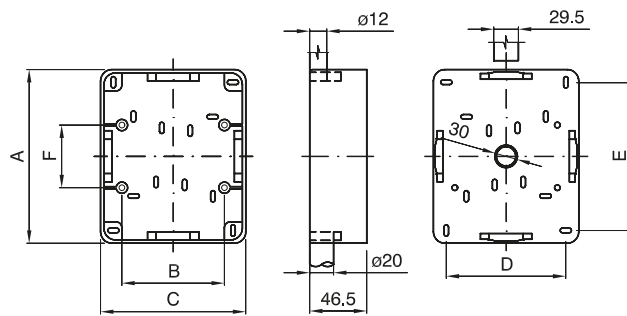
GW 32 431 - GW 32 432  
GW 32 436 - GW 32 437



| Code | GW 32 431<br>GW 32 432 | GW 32 436<br>GW 32 437 |
|------|------------------------|------------------------|
|      | 3 GANG                 | 4+4 GANG               |
| A    | 80                     | 140                    |
| B    | 116                    | 140.6                  |
| C    | 83.5                   | 108.5                  |
| D    | 90                     | 78                     |
| E    | 50                     | 110                    |
| F    | -                      | 57.5                   |
| G    | 50                     | 53                     |

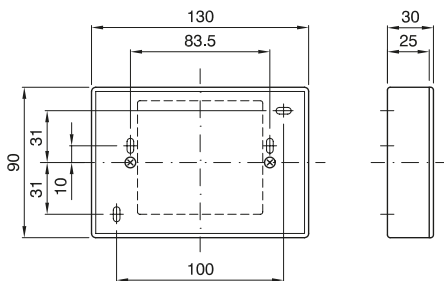
## COMPACT WALL-MOUNTING BOXES

GW 24 006  
GW 24 007



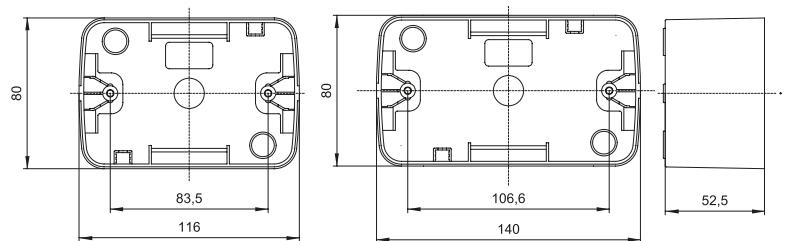
| Code | GW 24 006 | GW 24 007 |
|------|-----------|-----------|
|      | 3 GANG    | 3+3 GANG  |
| A    | 83        | 136       |
| B    | 83.5      | 83.5      |
| C    | 113       | 113       |
| D    | 96        | 96        |
| E    | 65        | 119       |
| F    | -         | 51        |

## DEEP LIDS



GW 24 227  
GW 24 228

## TOP SYSTEM WALL-MOUNTING BOXES



GW 22 471

GW 22 472

## BLANK PLATES

