

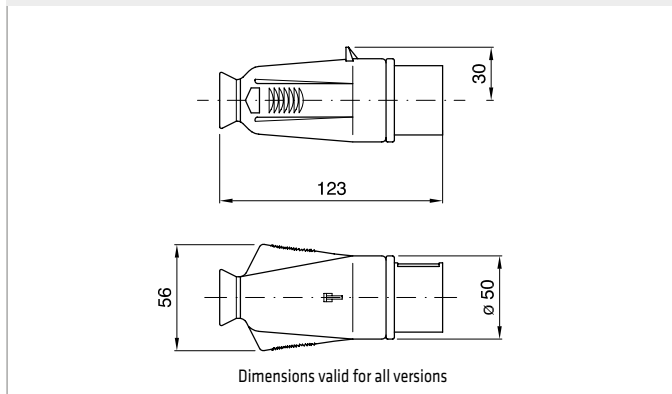
## Technical data and compliance with Standards

ELECTRICAL AND MECHANICAL CHARACTERISTIC										
Rated current I <sub>n</sub> (A)	Degree of protection (IP)	Standard	Rated voltage U <sub>n</sub> (V)	Permissible overload (A)	No. of operations carried out	Breaking capacity at 1.1 U <sub>n</sub> (A)	Impact resistance (IK)	Insulation resistance (MΩ)	Heat resistance	Resistance to abnormal heat and fire
									Thermo-pressure with ball (°C)	Glow Wire Test (°C)
16	IP44 e IP67	EN 60309-1 EN 60309-2	Da 24 a 500	22	> 5000	20	IK 08	> 10	125	850
32				42	> 2000	40			Passive parts 80 Active parts	Active parts 650 Passive parts

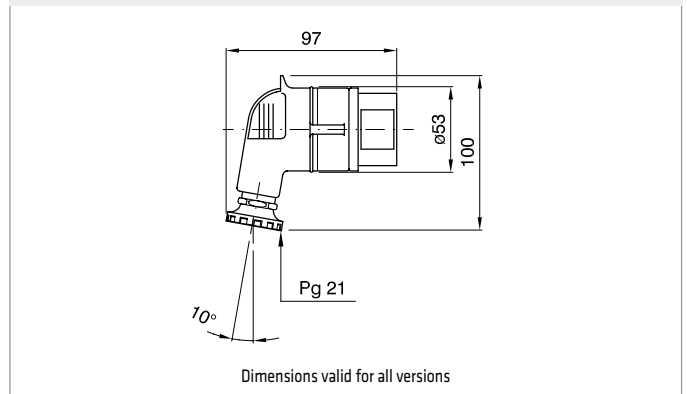
BEHAVIOUR WITH CHEMICAL AND ATMOSPHERIC AGENTS										
Saline solution	Acids		Bases		Solvents				Mineral oil	UV rays
	Concentrated	Diluted	Concentrated	Diluted	Hexane	Benzol	Acetone	Alcohol		
Resistant	Not resistant	Limited resistance	Limited resistance	Resistant	Resistant	Resistant	Resistant	Resistant	Resistant	Resistant

## Dimension tables - Extra-low voltage plugs and sockets

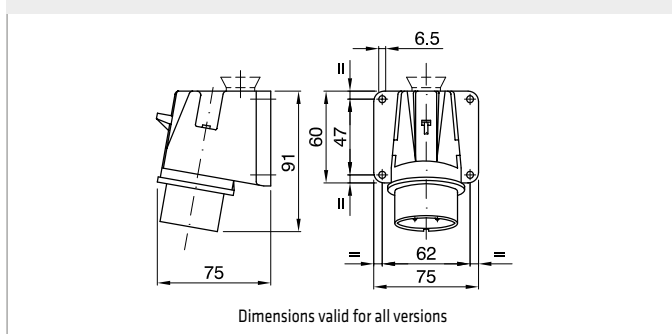
### EXTRA LOW VOLTAGE PROTECTED STRAIGHT MOBILE PLUGS - IP44



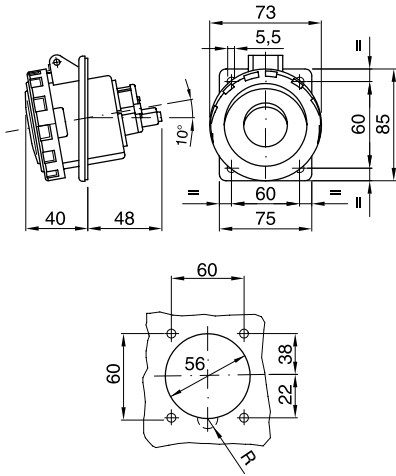
### EXTRA LOW VOLTAGE PROTECTED 90° MOBILE PLUGS - IP44



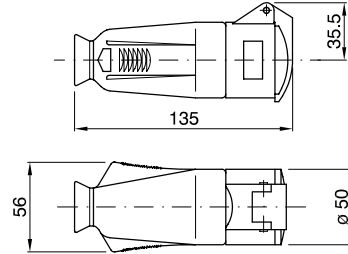
### EXTRA LOW VOLTAGE SURFACE-MOUNTING PROTECTED 90° FIXED PLUGS - IP44



## EXTRA-LOW VOLTAGE 10° FLUSH-MOUNTING SOCKETS - IP67

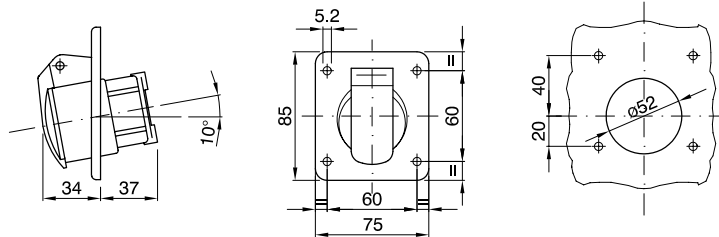


## EXTRA LOW VOLTAGE PROTECTED STRAIGHT MOBILE SOCKET-OUTLETS - IP44

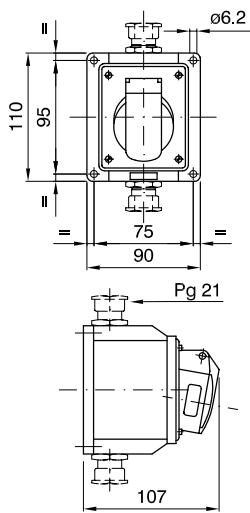


Dimensions valid for all versions

## EXTRA-LOW VOLTAGE 10° FLUSH-MOUNTING SOCKETS - IP44

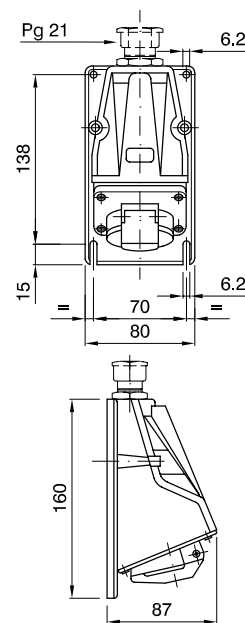


## EXTRA LOW VOLTAGE SURFACE-MOUNTING PROTECTED 10° FIXED SOCKET-OUTLETS - IP44



Dimensions valid for all versions

## EXTRA LOW VOLTAGE SURFACE-MOUNTING PROTECTED 90° FIXED SOCKET-OUTLETS - IP44



Dimensions valid for all versions