

Technical data and compliance with Standards

Component	Reference Standards	Rated voltage Un (V)	Rated current In (A)	Other electrical data	Impact resistance at ambient temperature (IK code)	Heat resistance	Resistance to abnormal heat and fire
						Thermo-pressure with ball (°C)	Glow Wire Test (°C)
Interlocked switched socket-outlets	EN 60309-1 EN 60309-2 EN 60309-4 EN 61558-2-6 IEC 61439-1 IEC 61439-2 IEC 61439-3	110 - 230 400 - 500	16 - 32 - 63	see IEC 309 range	IK 08	125	850
SELV socket-outlet	EN 61439-1 EN 61439-2 EN 61439-3	24	16		IK 08	125	850
Rotary switch	EN 60947-3	500	16 - 32 - 63	see 70 RT range	IK 08	125	850
MT60 miniature circuit breaker, C characteristic, 6kA	EN 60898-1	110 - 230 - 400	16 - 32	-	IK08	125	850
Shell	EN 60670-1 EN 62208	-	-	-	IK 08	80	650
Safety transformer	EN 61558-2-6	230 / 24	6	P = 160 VA	-	-	-
Fuses	EN 60269-1	see fuse technical data table	16 - 32 - 63	Breaking capacity > 50 kA	-	-	-

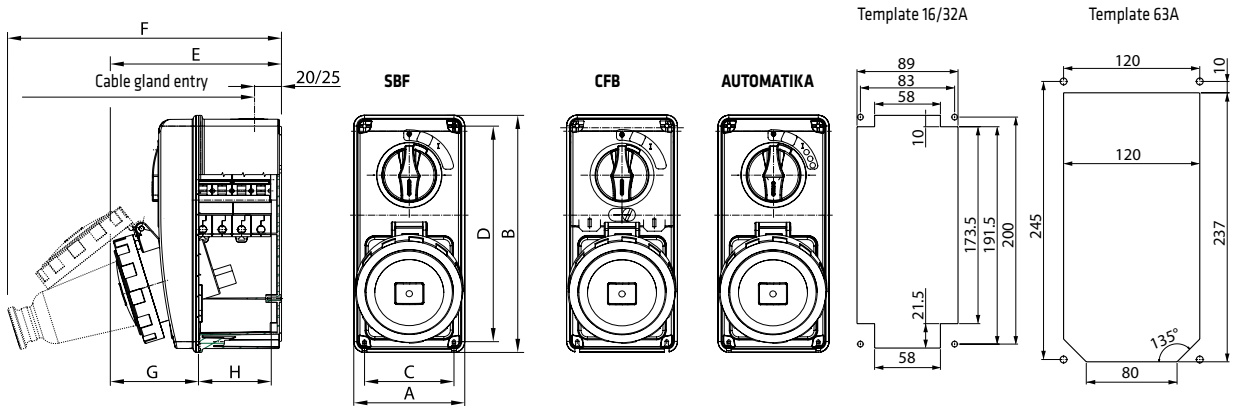
Note: for the technical characteristics of the MT 60 C characteristic 6kA miniature circuit breaker used in the AUTOMATIKA versions, refer to the 90 MCB range.

BEHAVIOUR WITH CHEMICAL AND ATMOSPHERIC AGENTS

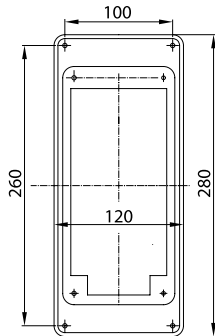
Saline solution	Acids		Bases		Solvents				Mineral oil	UV rays
	Concentrated	Diluted	Concentrated	Diluted	Hexane	Benzol	Acetone	Alcohol		
Resistant	Not resistant	Limited resistance	Limited resistance	Limited resistance	Limited resistance	Not resistant	Not resistant	Limited resistance	Limited resistance	Resistant

Dimension tables

WATERTIGHT VERTICAL SOCKET-OUTLETS WITH ROTARY SWITCH, FUSE-HOLDER BASE AND AUTOMATIKA - IP66 / IP67

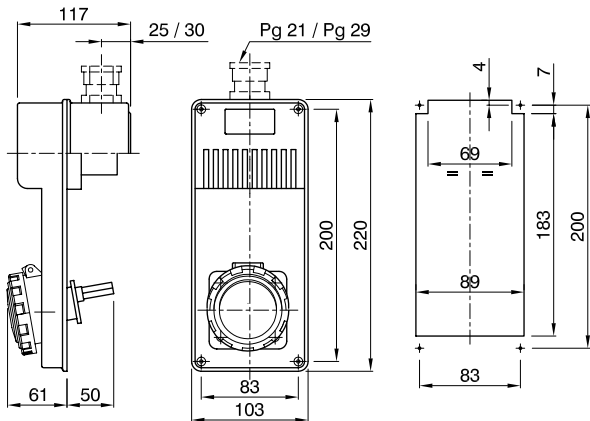


ADAPTER FOR FLANGED COVER
FOR ASSEMBLING RT - SBF - AUTOMATIKA

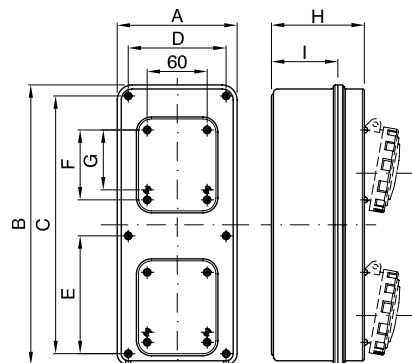


									SBF	CBF	MT
	Type	A	B	C	D	E	F	G	H	H	H
16 A	2P + $\frac{1}{2}$	103	220	83	200	149	239	74	57	57	67.5
	3P + $\frac{1}{2}$	103	220	83	200	151	248	76	57	57	67.5
	3P + N + $\frac{1}{2}$	103	220	83	200	151	261	76	57	57	67.5
32 A	2P + $\frac{1}{2}$	103	220	83	200	156	276	81	57	57	67.5
	3P + $\frac{1}{2}$	103	220	83	200	156	276	81	57	57	67.5
	3P + N + $\frac{1}{2}$	103	220	83	200	157	277	82	57	57	67.5
63 A	2P + $\frac{1}{2}$	145	270	120	245	181	329	101	49.5	57	
	3P + $\frac{1}{2}$	145	270	120	245	181	329	101	49.5	57	
	3P + N + $\frac{1}{2}$	145	270	120	245	181	329	101	49.5	57	

WATERTIGHT VERTICAL SOCKET-OUTLETS WITH SAFETY TRANSFORMER (SELV), WITHOUT FUSE-HOLDER BASE - IP66 / IP67

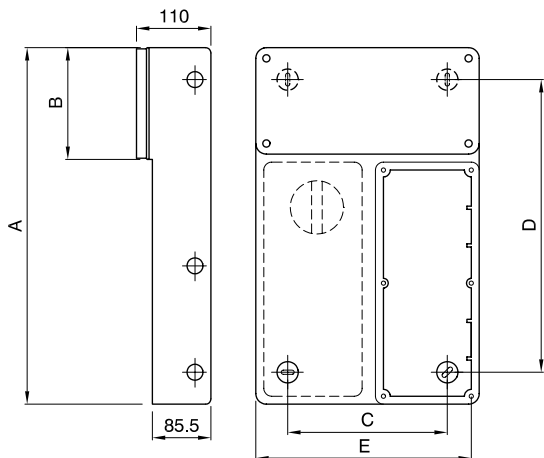


BASE BOX WITH FLANGED COVER



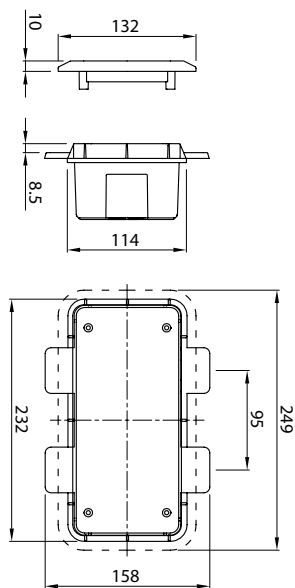
Code	Dimensions of assembled caps	A	B	C	D	E	F	G	H	I
GW 66 741 N	1 x (75x85) + 1 x (75x85 + 80x95)	103	220	200	83	-	70	60	-	-
GW 66 742	2 x (75x85 + 80x95)	120	280	260	100	118.5	70	60	92	66

MODULAR BASES: 1-2-3 SOCKET-OUTLETS - IP65



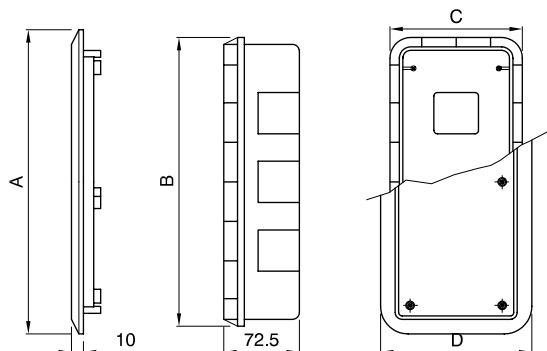
Type	Number of IB	A	B	C	D	E
16-32 A	1	360	130	50	290	107
	2			150		220
	3			263		333
63 A	1	510	160	75	440	150

BOX WITH FRAME FRO PLASTERBOARD WALL FOR FLUSH-MOUNTING VERTICAL SOCKET-OUTLETS IP55 - 16-32A



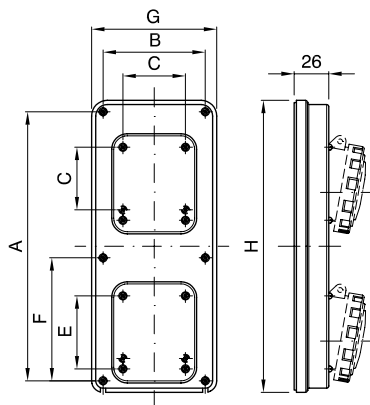
GW 66 683 PM

BOXES WITH FRAME AND BLANK COVER FOR FLUSH-MOUNTING, VERTICAL SOCKET-OUTLETS, 16-32A, IP55



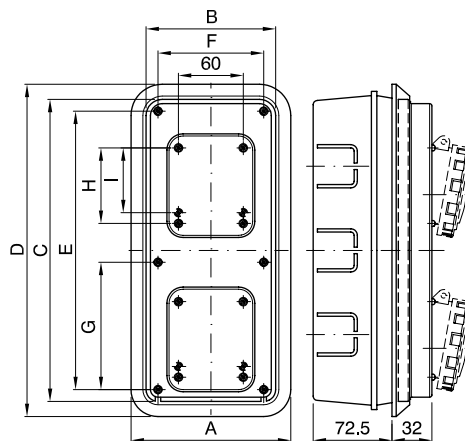
Type	A	B	C	D
16-32A	249	232	114	132

FLANGED COVER PRE-ARRANGED FOR 2 CAPS



Type	Dimension of assembled	A	B	C	D	E	F	G	H
16-32A	75 x 85	200	83	60	60	-	-	103	220

BOX WITH FRAME FOR FLUSH-MOUNTING, WITH FLANGED COVER



Type	Dimension of assembled	A	B	C	D	E	F	G	H	i
16-32A	75x85 + 95x80	132	103	220	249	200	83	-	-	60

For technical information contact the Technical Assistance Service or visit gewiss.com

A product range comprising industrial-type socket-outlets conforming to IEC 60309 Standard, with rotary switch mechanical interlock for individual or group applications on modular bases. The robustness of the products and their resistance to the main chemical and atmospheric agents, together with the high IP66 degree of protection, mean they can be installed in tough environments with critical atmospheric, chemical and mechanical (accidental impact) conditions.

Technical data and compliance with Standards

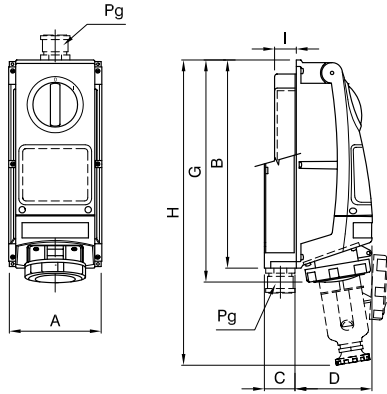
Component	Reference Standards	Versions	Degree of protection (IP)	Rated current In (A)	Impact resistance of external parts (IK code)		Heat resistance	Resistance to abnormal heat and fire
					At ambient temperature	-20°C	Thermo-pressure with ball (°C)	Glow Wire Test (°C)
Interlocked switched socket-outlets	EN 60309-1 EN 60309-2 EN 60309-4 EN 61558-2-6 IEC 61439-1 IEC 61439-3 EN 61439-1 EN 61439-3	With fuse-holder base	IP 66	16-32-63	> IK 10	20J	80	850
Socket-outlets with 160 VA (SELV) transformer		With EN 50022 rail						
Shell	IEC 62208 EN 62208	Back-mounting boxes	IP 66	16-32-63	> IK 10	20J	80	850
		Modular bases		16-32-63				

BEHAVIOUR WITH CHEMICAL AND ATMOSPHERIC AGENTS

Saline solution	Acids		Bases		Solvents				Mineral oil	UV rays
	Concentrated	Diluted	Concentrated	Diluted	Hexane	Benzol	Acetone	Ethyl alcohol		
Resistant	Not resistant	Limited resistance	Not resistant	Limited resistance	Resistant	Resistant	Limited resistance	Resistant	Resistant	Resistant

Dimension tables

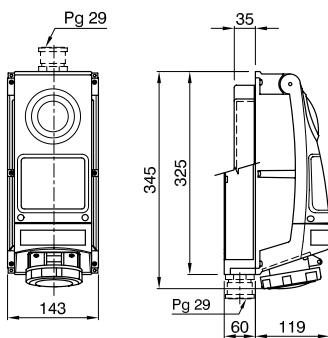
INTERLOCKED SOCKET-OUTLETS 16 / 32 / 63A - IP66



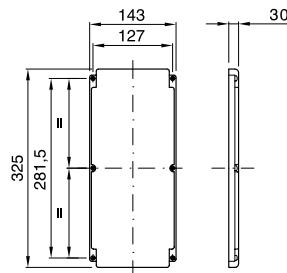
	Type	A	B	C	D	G	H	I	Pg
16 A	2P + $\frac{1}{2}$	143	325	60	119	345	362	35	29
	3P + $\frac{1}{2}$						369		
	3P + N + $\frac{1}{2}$						382		
32 A	2P + $\frac{1}{2}$	143	325	60	119	345	455	35	29
	3P + $\frac{1}{2}$								
	3P + N + $\frac{1}{2}$								
63 A	2P + $\frac{1}{2}$	143	390	75	140	425	570	45	36
	3P + $\frac{1}{2}$								
	3P + N + $\frac{1}{2}$								

INTERLOCKED SWITCHED SOCKET-OUTLET IEC 309 STANDARD

WATERTIGHT SOCKET-OUTLET WITH SAFETY TRANSFORMER (SELV) AND FUSE-HOLDER BASE - IP66

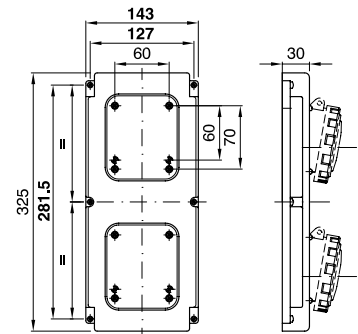


BLANK COVER FOR MODULAR BASES 16 / 32A - IP66



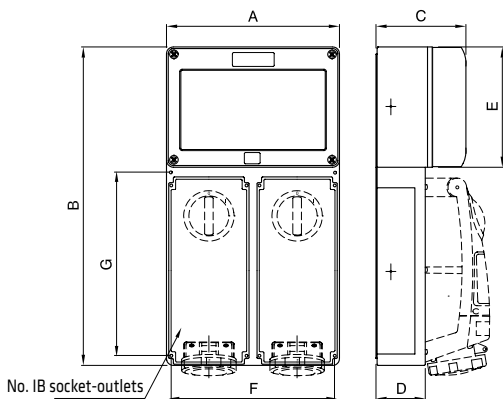
GW 66 706

FLANGED COVER FOR MODULAR BASES 16 - 32A - IP66



GW 66 707

MODULAR BASES FOR INTERLOCKED SWITCHED SOCKET-OUTLETS 16 / 32 / 63A - IP66

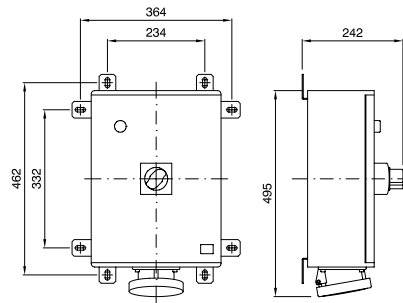


	No. "IB" socket-outlets	A	B	C	D	E	F	G
16-32 A TRASF.	1	148	555	155	85	210	136	325
	2	305					293	
	3	462					450	
63 A	1	148	620				136	390

125A socket-outlets

TECHNICAL DATA AND COMPLIANCE WITH STANDARDS								
Component	Reference Standards	Versions	Degree of protection (IP)	Rated currents I _n (A)	Impact resistance of external parts (IK code)		Heat resistance	Resistance to abnormal heat and fire
					At ambient temperature	-20°C	Thermo-pressure with ball (°C)	Glow Wire Test (°C)
125A socket-outlets with electric interlock	EN 60309-1 IEC 61439-1 IEC 61439-3 EN 61439-1 EN 61439-3	With miniature circuit breaker	IP 55	125 A	IK 10	20J	200	960
		With RCCB with overcurrent protection						

SOCKET-OUTLET WITH ELECTRIC INTERLOCK 125A - IP55



Technical data and compliance with Standards

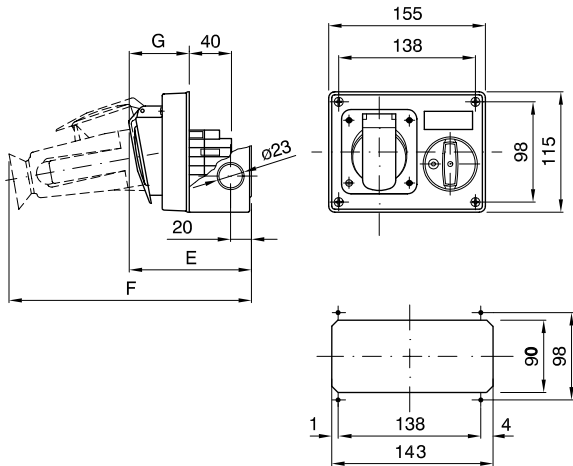
Component	Reference Standards	Rated voltage Un (V)	Rated current In (A)	Other electrical data	Impact resistance at ambient temperature (IK code)	Heat resistance	Resistance to abnormal heat and fire
						Thermo-pressure with ball (°C)	Glow Wire Test (°C)
Interlocked switched socket-outlets	EN 60309-1 EN 60309-2 EN 60309-4 EN 61558-2-6	110 - 230 400 - 500	16 - 32 - 63	see IEC 309 range	IK 08	125	850
Rotary switch	EN 60947-3	500	16 - 32 - 63	see 70 RT range	IK 08	125	850
Shell	EN 60670	-	-	-	IK 08	80	650
Fuses	EN 60269-1	see fuse technical data table	16 - 32 - 63	Breaking capacity > 50 kA	-	-	-

BEHAVIOUR WITH CHEMICAL AND ATMOSPHERIC AGENTS

Saline solution	Acids		Bases		Solvents				Mineral oil	UV rays
	Concentrated	Diluted	Concentrated	Diluted	Hexane	Benzol	Acetone	Alcohol		
Resistant	Not resistant	Limited resistance	Limited resistance	Limited resistance	Limited resistance	Not resistant	Not resistant	Limited resistance	Limited resistance	Resistant

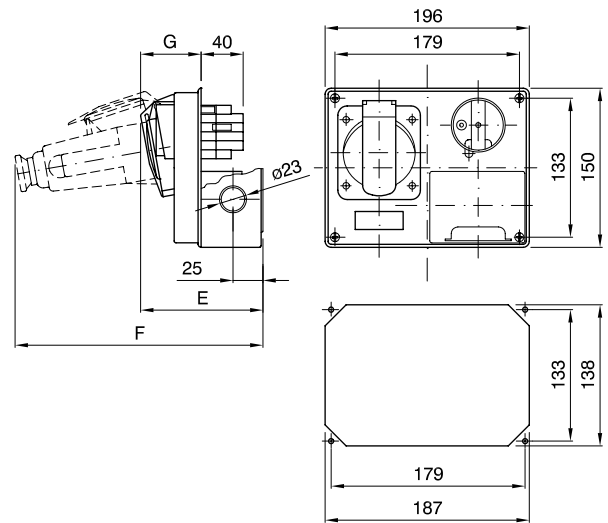
Dimension tables

PROTECTED HORIZONTAL SOCKET-OUTLETS WITH INTERLOCK SWITCH AND DRILLING TEMPLATE FOR FLUSH-MOUNTING, IP44



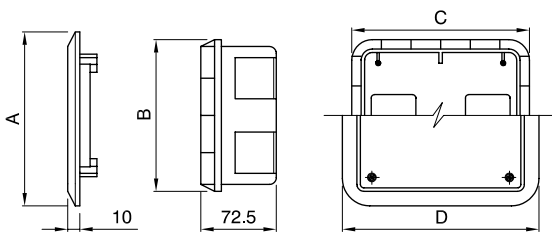
	Type	E	F	G
16 A	2P + $\frac{1}{2}$	108	181	55
	3P + $\frac{1}{2}$	109	181	55
	3P + N + $\frac{1}{2}$	111	193	57
32 A	2P + $\frac{1}{2}$	118	213	65
	3P + $\frac{1}{2}$			
	3P + N + $\frac{1}{2}$			

PROTECTED HORIZONTAL SOCKET-OUTLETS WITH INTERLOCK SWITCH, FUSE-HOLDER BASE AND DRILLING TEMPLATE FOR FLUSH-MOUNTING, IP44



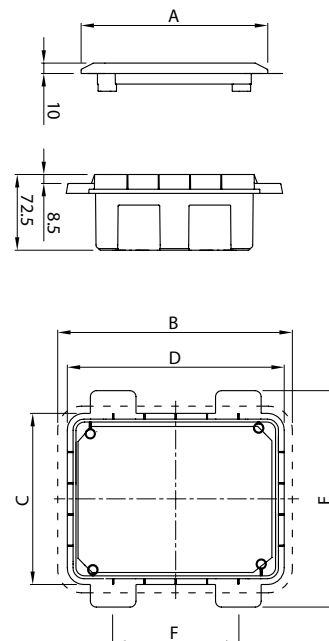
	Type	E	F	G
16 A	2P + $\frac{1}{2}$	120	193	54
	3P + $\frac{1}{2}$	121	194	55
	3P + N + $\frac{1}{2}$	123	207	57
32 A	2P + $\frac{1}{2}$	130	226	64
	3P + $\frac{1}{2}$			
	3P + N + $\frac{1}{2}$			

BOXES WITH FRAME AND BLANK COVER FOR FLUSH-MOUNTING, HORIZONTAL SOCKET-OUTLETS, 16-32A, IP44, WITH AND WITHOUT FUSES



Type	A	B	C	D
SBF	141	130	170	184
CBF	179	164	208	225

BOX WITH FRAME FOR PLASTERBOARD WALL FOR FLUSH-MOUNTING HORIZONTAL SOCKET-OUTLETS IP44 - 16-32A



Code	A	B	C	D	E	F
SBF GW 66 681 PM	141	184	130	170	174	-
CBF GW 66 682 PM	179	225	164	208	208	120

Technical data and compliance with Standards

Component	Reference Standards	Rated voltage Un (V)	Rated current In (A)	Impact resistance at ambient temperature (IK code)	Heat resistance	Resistance to abnormal heat and fire
					Thermo-pressure with ball (°C)	Glow Wire Test (°C)
Interlocked switched socket-outlets	EN 60309-1 EN 60309-2 EN 60309-4	110 - 230 - 400	16 - 32	IK 08	125	850
Control switch	IEC 60947-1 IEC 60947-3	110 - 230 - 400	16 - 32	IK 08	125	850
Container	EN 60670-1	-	-	IK 08	80	650

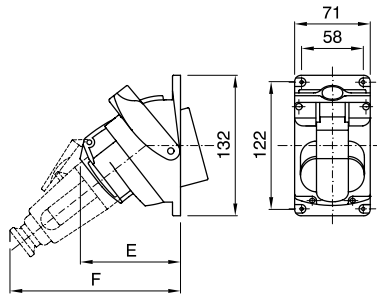
BEHAVIOUR WITH CHEMICAL AND ATMOSPHERIC AGENTS

Saline solution	Acids		Bases		Solvents				Mineral oil	UV rays
	Concentrated	Diluted	Concentrated	Diluted	Hexane	Benzol	Acetone	Alcohol		
Limited resistance	Not resistant	Limited resistance	Limited resistance	Resistant	Resistant	Resistant	Resistant	Resistant	Resistant	Resistant

Combibloc

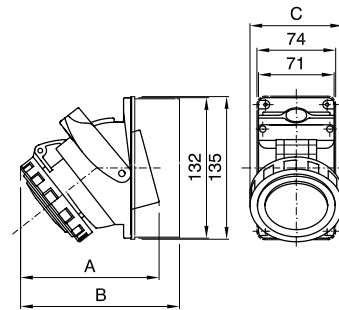
Dimension tables

COMBIBLOC COMPACT SOCKET-OUTLETS - 16-32A - IP44



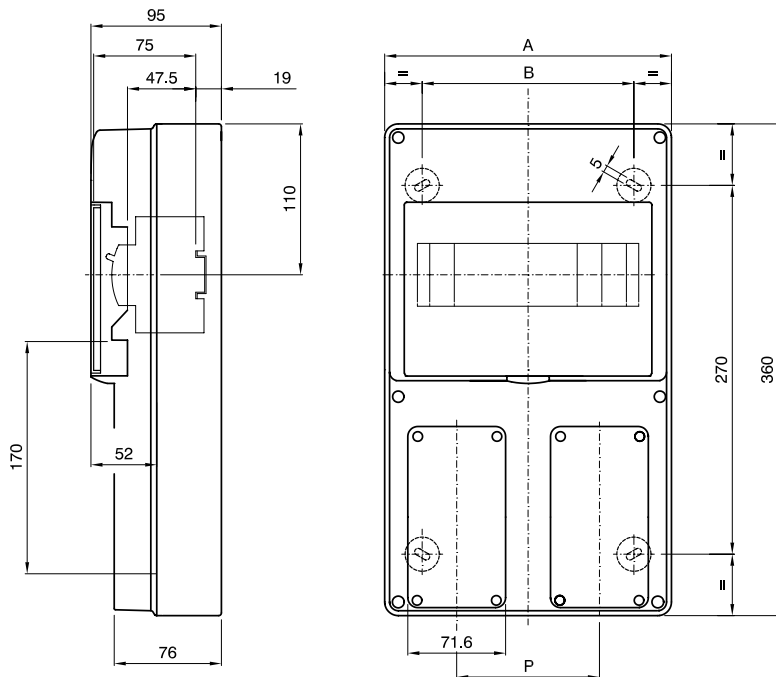
	Type	E	F
16 A	2P + $\frac{1}{2}$	125	198
	3P + $\frac{1}{2}$	130	202
	3P + N + $\frac{1}{2}$	130	212
32 A	2P + $\frac{1}{2}$	138	233
	3P + $\frac{1}{2}$		
	3P + N + $\frac{1}{2}$		

COMBIBLOC COMPACT SOCKET-OUTLETS - 16-32A - IP55



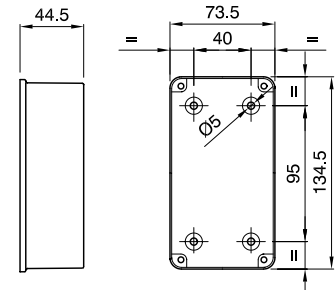
	Type	A	B	C
16 A	2P + $\frac{1}{2}$	150	170	71
	3P + $\frac{1}{2}$	150	170	80
	3P + N + $\frac{1}{2}$	155	175	87
32 A	2P + $\frac{1}{2}$	170	190	95
	3P + $\frac{1}{2}$			95
	3P + N + $\frac{1}{2}$			100

WATERTIGHT VERTICAL BOARDS FOR COMBIBLOC COMPACT SOCKET-OUTLETS - IP55

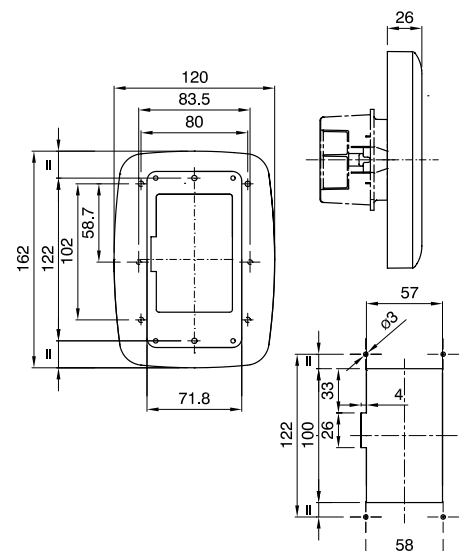


Type	A	B	P
4 modules	105	-	-
8 modules	210	155	105
12 modules	320	220	2x105

BASE BOX FOR COMBIBLOC COMPACT SOCKET-OUTLETS



FLUSH-MOUNTING FRAME FOR COMBIBLOC COMPACT SOCKET-OUTLETS AND DRILLING TEMPLATE



Fuses

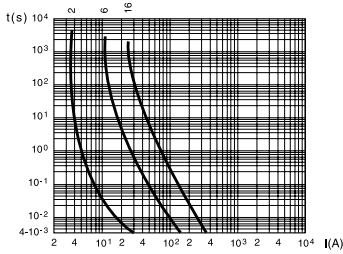
NEOZED (ND), DIAZED (DD) and gG cylindrical-type fuses are available in the sizes shown in the table below.

The range is completed with gauges to facilitate the correct use of all the fuses.

Reference Standards	Cartridge		Rated voltage Un (V)	Rated current In (A)	I ² t pre-arc time at 0.01s		Breaking capacity (kA)	Rated dispersible power Pdu (W)
	Type	Ø x L (mm)			minimum (A2s)	maximum (A2s)		
EN 60269-1	ND - D01 E14	11 x 36	380	2	-	-	> 50	0.60
				6	-	-		1.30
				16	300	1000		1.80
	ND - D02 E18	15 x 36		35	1800	5000		3.20
				63	9000	27000		4.80
				DD - DI / E18 delayed	13 x 50	2		-
	6	-	-			1.90		
	DD - DII / E27 quick	22 x 50	16			300	1000	2.40
			DD - DIII / E33 quick	28 x 50	35	1800	5000	3.60
					63	9000	27000	6.90
	gG cylindrical	10.3 x 38			400	2	-	-
		10.3 x 38	6	-		-	0.45	
		10.3 x 38	16	300		1000	0.75	
		10.3 x 38	500	32	1800	5000	2	
14 x 51		32		1800	5000	2		
22 x 58		63		9000	27000	4.25		
22 x 58		125		46000	140000	9.5		

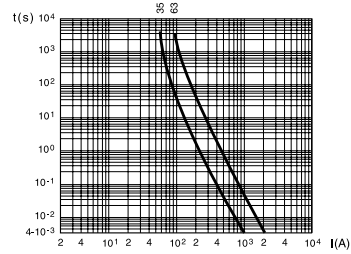
Tripping characteristics and disperse power of the fuses

FUSES ND - D01 - E14



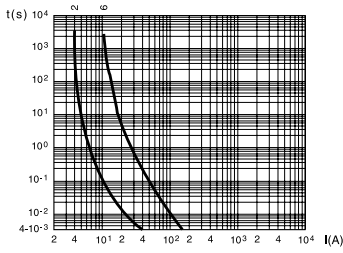
In (A)	Pd (W)
2	0.60
6	1.30
16	1.80

FUSES ND - D02 - E18



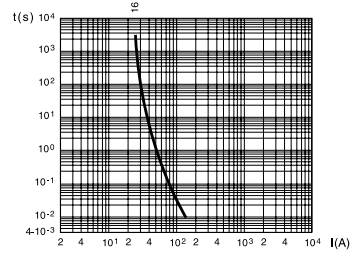
In (A)	Pd (W)
35	3.20
63	4.80

FUSES DD - DI - E16 DELAYED



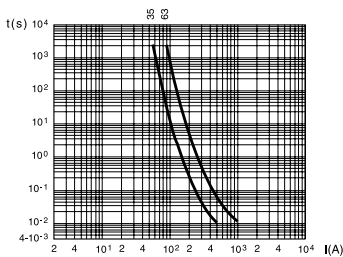
In (A)	Pd (W)
2	0.85
6	1.90

FUSES DD - DII - E27 QUICK



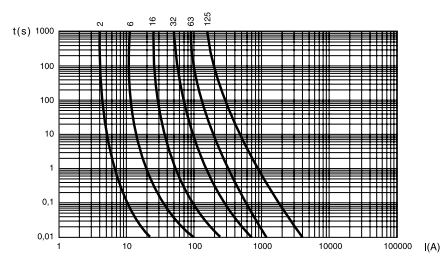
In (A)	Pd (W)
16	2.40

FUSES DD - DIII - E33 QUICK



In (A)	Pd (W)
35	3.60
63	6.90

gG CYLINDRICAL FUSES



In (A)	Pd (W)
2	0.25
6	0.45
16	0.75
32	2
63	4.25
125	9.5