

42 TV - DISTRIBUTION PILLAR AND BOARDS - IP41

TECHNICAL CHARACTERISTICS

Standard: IEC 60670-1; IEC 60670-22; EN 60670-1; EN 60670-22

Degree of protection: IP41 (IP55 for floor-mounting pillar version)

Protection against indirect contact: double insulation - □ (+)

Installation temperature: max. +60°C; min. -5°C

Material: GW PLAST technopolymer, halogen-free in accordance with EN 60754-2 (CEI EN 50267-2-2)

Impact resistance: IK 07 (200x150mm boards)

IK 08 (300x200mm and 400x300mm boards)

Heat resistance: thermo-pressure with ball 70°C

Resistance to abnormal heat and fire: Glow wire test 650°C

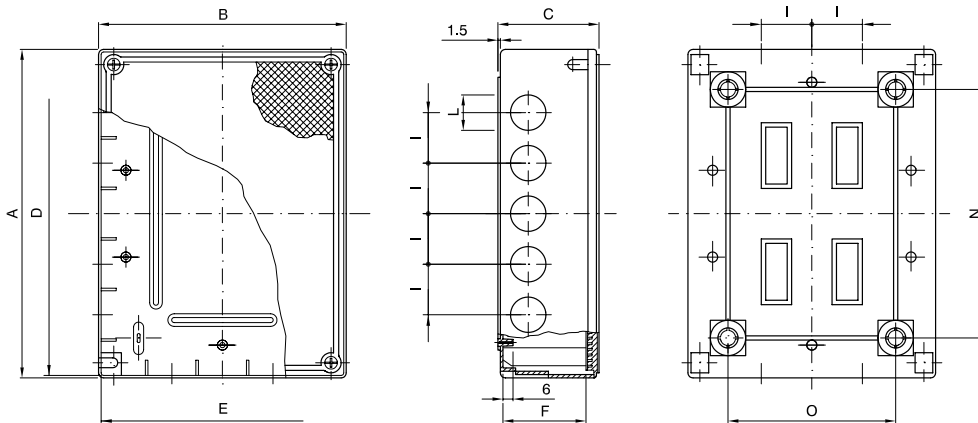
(+) Complete insulation, in accordance with EN 61140 Standard, obtainable by using the screwcaps supplied.

BEHAVIOUR WITH CHEMICAL AND ATMOSPHERIC AGENTS

Saline solution	Acids		Bases		Solvents				Mineral oil	UV rays
	Concentrated	Diluted	Concentrated	Diluted	Hexane	Benzol	Acetone	Ethyl alcohol		
Resistant	Not resistant	Resistant	Resistant	Resistant	Limited resistance	Not resistant	Not resistant	Limited resistance	Limited resistance	Limited resistance

Dimension tables

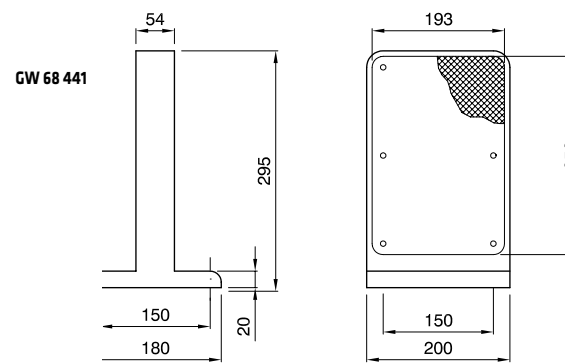
SURFACE-MOUNTING BOARDS - IP41



Code	A	B	C	D	E	F	I	L	N	O
GW 42 001	200	150	40	196	146	30	30	21	150	100
GW 42 002	200	150	60	196	146	50	30	21	150	100
GW 42 003	200	150	80	196	146	70	30	21	150	100
GW 42 004	300	200	40	295	195	30	40	23-29	250	150
GW 42 005	300	200	60	295	195	50	40	23-29	250	150
GW 42 006	300	200	80	295	195	70	40	23-29	250	150
GW 42 007	300	200	120	295	195	110	40	23-29	250	150
GW 42 008	400	300	60	395	295	50	40	23-29	330	230
GW 42 009	400	300	80	395	295	70	40	23-29	330	230
GW 42 010	400	300	120	395	295	110	40	23-29	330	230

Couplings for back-mounting plates 44 CE range - 42 TV range		
44 CE range plate		42 TV range board External dimensions
Metal	Insulating	
GW 44 615	GW 44 625	200 x 150
GW 44 616	GW 44 626	300 x 200
GW 44 617	GW 44 627	400 x 300

FLOOR-MOUNTING PILLAR AND WORKBENCH - IP55



DRILLING FOR BASICS POLYFUNCTIONAL SUPPORT

