

Technical data

CVX 160E	
Electrical characteristics	Mechanical characteristics
Standards: EN 61439-1 and EN 61439-2, EN 62208, CEI 23-48, CEI 23-49	Degree of protection: IP 30 without door
Rated current (In): up to 160 A	IP40 with glass/blank door
Rated operational voltage (Ue): up to 500V AC	IP55 with glass/blank door
Rated insulation voltage (Ui): up to 500V AC	IP 65 with blank door
Rated impulse withstand voltage (Uimp): 6 kV 1.2/50 µs	Impact resistance: IK 07 for glass door
Rated conditioned short-circuit current (Icc): 10 kA	IK 09 front panels in plastic material
Rated peak withstand current (Ipk): 17 kA	IK 10 for metal casing
Rated short-time withstand current (Icw): 10 kA (1s)	Operating temperature: -5°C - 40°C
Protection against indirect contact: metal casing prearranged for earth connection	Storage temperature: -25°C - 55°C
	Sheet steel casing: 10/10mm thick
	Sheet steel door: 12/10mm thick
	Back-mounting plates in hot galvanised sheet metal: 15/10mm thick
	Sheet metal painted with colour Grey RAL 7035 epoxy-polyester powder

FUNCTIONAL CHARACTERISTICS

Type of installation: indoors	Door (except IP30 version) supplied disassembled, in a protective packaging
Capacity: 24 EN 50022 modules per row	Door assembly (except IP30 version) with reversible opening (right or left side).
Cable gland plate (except IP65 version) in insulating material, colour Blue RAL 5003	Pre-arrangement for safety lock with key.
Extractable galvanised sheet metal frame with 25mm pitch perforation for assembling the device installation kits	

Dispersible powers

Single surface-mounting board

		Board LxH 600x600mm					Board LxH 600x800mm					Board LxH 600x1000mm					Board LxH 600x1200mm				
Overtemperature Δt (°C)		20	25	30	35	40	20	25	30	35	40	20	25	30	35	40	20	25	30	35	40
IP	Version	Maximum dispersible power (W)																			
IP30	without door	63	83	103	125	148	73	97	120	147	173	78	105	131	160	189	82	108	136	165	194
IP40	solid door	59	78	98	118	140	69	92	114	139	164	74	99	124	152	179	78	102	129	156	184
IP40	glass door	58	77	95	116	137	67	90	111	136	160	72	97	121	148	175	76	100	126	153	180
IP55	solid door	56	74	93	112	133	66	87	108	132	156	70	94	118	144	170	74	97	122	148	175
IP55	glass door	54	71	89	108	128	63	84	103	127	150	67	91	113	138	163	71	93	117	142	167
IP65	solid door	-	-	-	-	-	60	79	97	119	140	63	85	106	130	154	67	88	110	134	158

Single board with corner wall

		Board LxH 600x600mm					Board LxH 600x800mm					Board LxH 600x1000mm					Board LxH 600x1200mm				
Overtemperature Δt (°C)		20	25	30	35	40	20	25	30	35	40	20	25	30	35	40	20	25	30	35	40
IP	Version	Maximum dispersible power (W)																			
IP30	without door	62	82	102	123	146	71	95	118	144	170	76	103	128	157	185	81	106	134	163	191
IP40	solid door	58	77	97	116	138	68	90	112	136	161	72	97	121	149	175	77	100	127	154	181
IP40	glass door	57	76	94	114	135	66	88	109	133	157	70	95	119	145	171	75	98	124	151	177
IP55	solid door	55	73	92	110	131	65	85	106	130	153	68	92	116	141	167	73	95	120	146	172
IP55	glass door	53	70	88	106	126	62	82	101	125	147	65	89	111	135	160	70	92	115	140	164
IP65	solid door	-	-	-	-	-	59	77	95	117	137	62	83	104	127	151	66	86	108	132	156

Dispersible powers obtained via laboratory tests carried out according to the method described in paragraph 10.10.4.2 of Standard EN 61439-1 and subsequently verified according to paragraph 10.10.4.3 of the same Standard.

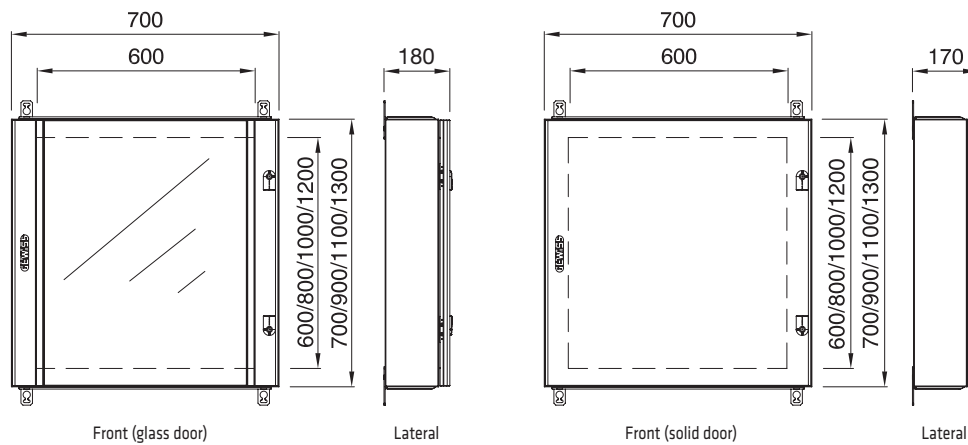
Board placed in niche

		Board LxH 600x600mm					Board LxH 600x800mm					Board LxH 600x1000mm					Board LxH 600x1200mm				
Overtemperature Δt (°C)		20	25	30	35	40	20	25	30	35	40	20	25	30	35	40	20	25	30	35	40
IP	Version	Maximum dispersible power (W)																			
IP30	without door	60	80	99	120	142	70	93	114	140	165	74	100	125	153	181	79	104	131	159	187
IP40	solid door	56	75	94	113	134	66	88	109	133	157	71	94	118	145	171	75	98	124	150	177
IP40	glass door	55	74	91	111	131	64	86	106	130	153	69	93	116	142	167	73	96	121	147	173
IP55	solid door	53	71	89	107	127	63	83	103	126	149	67	90	113	138	163	71	93	117	142	168
IP55	glass door	51	68	85	103	123	60	80	98	121	143	64	87	108	132	156	68	89	113	137	161
IP65	solid door	-	-	-	-	-	57	75	92	113	134	60	81	101	124	147	64	85	106	129	152

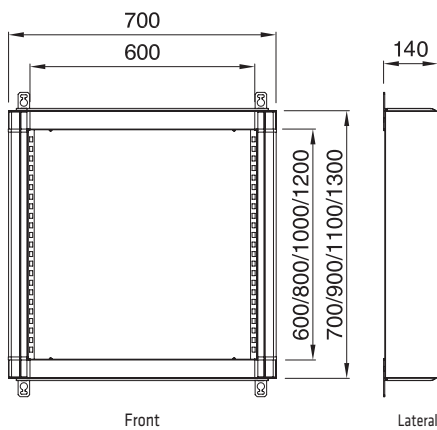
Dispersible powers obtained via laboratory tests carried out according to the method described in paragraph 10.10.4.2 of Standard EN 61439-1 and subsequently verified according to paragraph 10.10.4.3 of the same Standard.

Dimension tables

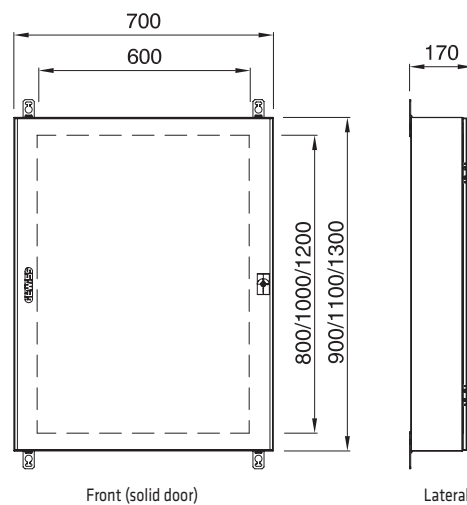
IP40/55 BOARDS



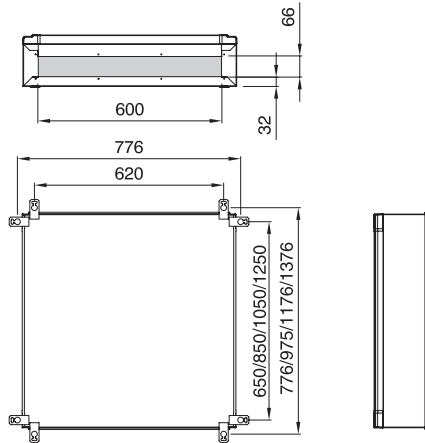
IP30 BOARDS



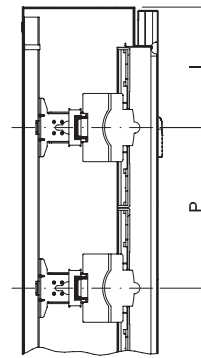
IP65 BOARDS



CABLE ENTRY (EXCLUDING IP65 VERSION) AND FIXING CENTRE DISTANCE

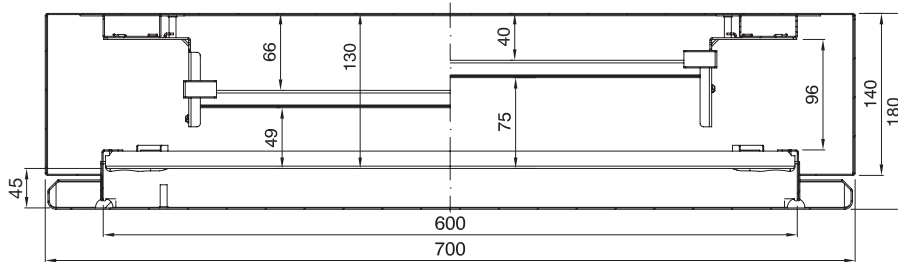


BELOW/UPPER OVERALL DIMENSIONS DEPENDING ON PITCH P

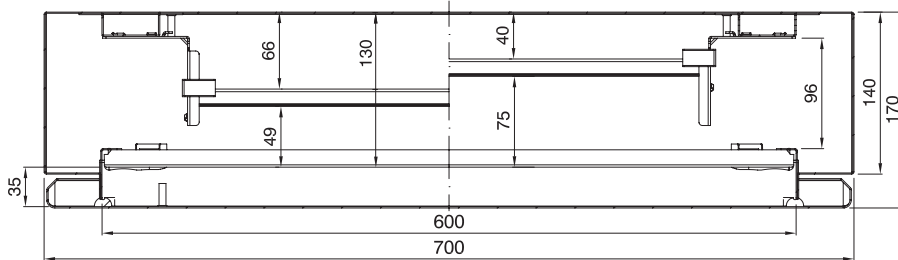


P	I
150	125
200	150

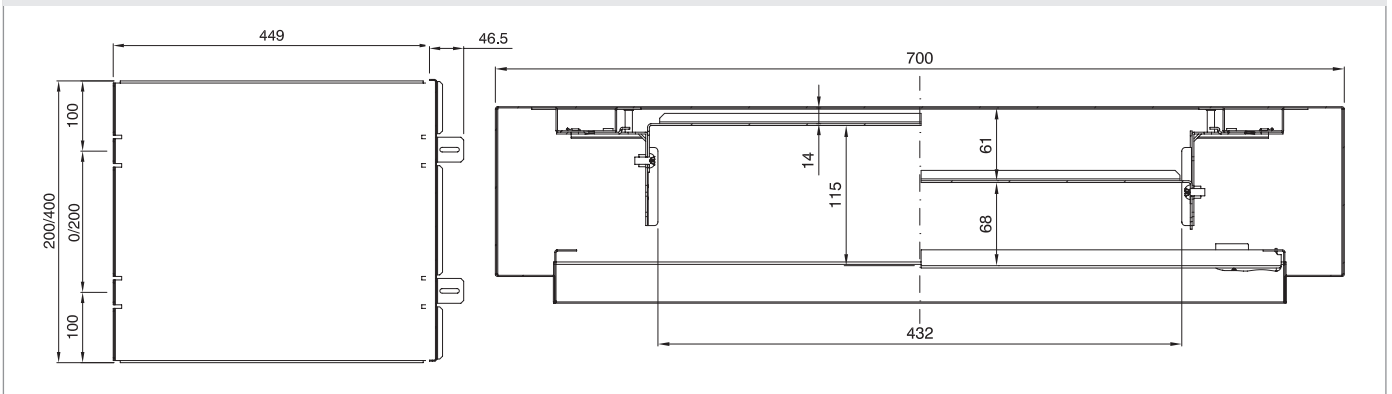
RAIL ADJUSTMENT (GLASS DOOR)



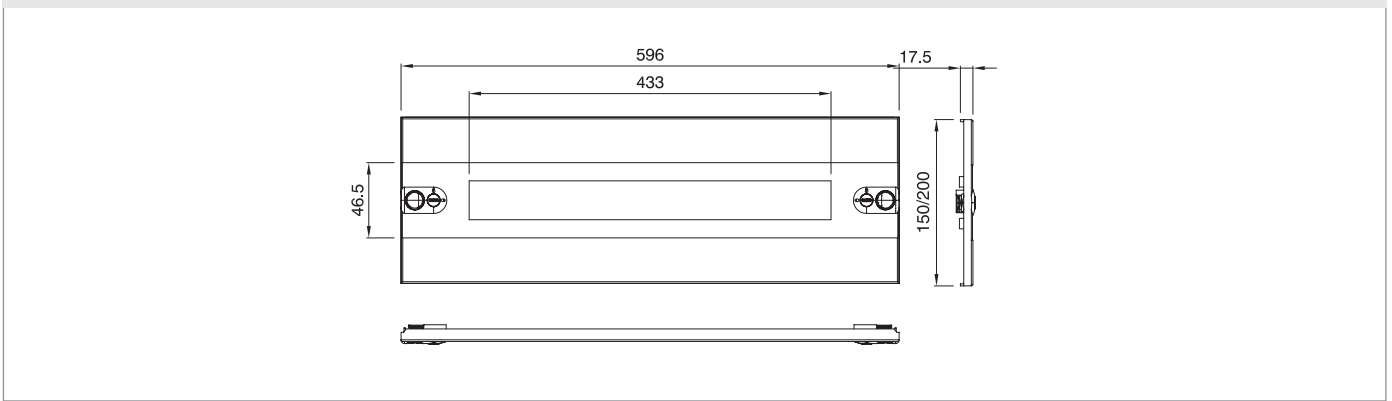
RAIL ADJUSTMENT (SOLID DOOR)



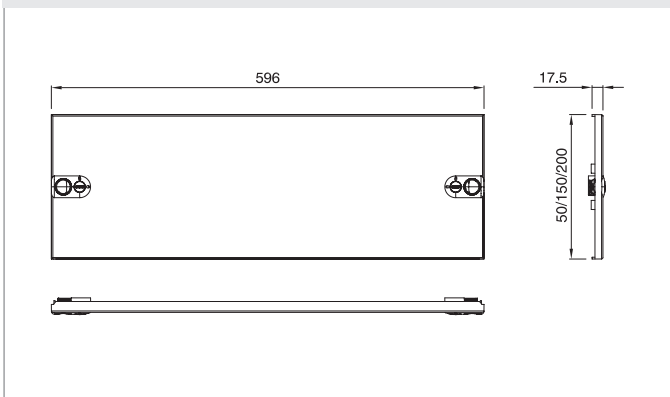
BACK-MOUNTING PLATE AND ADJUSTMENT



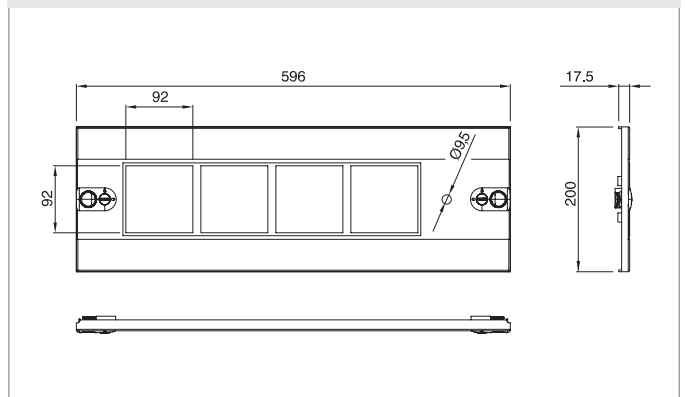
PANELS WITH WINDOWS



SOLID PANELS



INSTRUMENT PANELS



EARTHING BUSBAR

