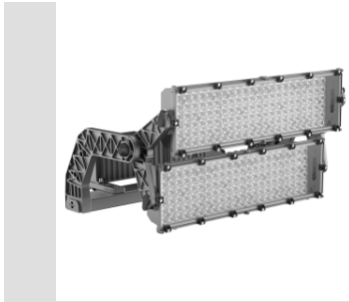


STADIUM PRO



Spatium PRO | 2 is a high-power LED floodlight, with a high-emittance LES (light emitted surface), suitable for lighting professional and semi-professional sporting facilities. The floodlight has a graphite grey finish with trivalent treatment for maximum resistance to oxidation and is equipped with an integrated 'self-cleaning' heat dissipation system. It consists of 2 modules, each with a bleed and anti-condensation valve, protected from accidental impact. The rotation system between the brackets and optic modules is of the truncated-conical aluminium type, with an integrated goniometer in the bracket for easy control of orientation, and screw and grub screw fastening, which guarantees the fastness of each individual module over time. The floodlight is available in the following colour temperatures 4,000K or 5,700K and colour rendering CRI>70, CRI>80 o CRI>90 (TLCI>80). In addition, the range offers 6 types of circular optics, from 8° up to 40°, 1 symmetrical/elliptical optic and 2 asymmetric optics. The T.I.R.Ex. optic system developed by GEWISS with lenses in PMMA HT (high-transparency), gives complete control over the light beam, allowing for great flexibility in any project design, with high qualitative and quantitative performance. The power supply box can be installed on the bracket or remote, and is protected from surges up to 10KV, either in differential or common mode, with a single cable. The range requires a DALI2 or DMX-RDM power supply to permit the greatest flexibility in the creation of lighting scenarios, even of great complexity.

GENERAL INFORMATION

Context	Professional sport lighting
Luminaire	High power LED floodlight
Toepassing	Binnenshuis / buitenshuis
Unique digital code (Datamatrix)	Currently not present
Kleur	Grafiëtgrijs
Type lichtbron	LED
System vermogen	960 W
LED Lifetime	L90B10(Tq25°C)=40.000h; L80B10(Tq25°C)=75.000h
Gewicht (kg)	18
Garantie	5 jaar
Opslagtemperatuur	-
Operating temperature	-25 +50 °C
MATERIALS	-
Body	Gietaluminium
Type plaat	Flat tempered glass 4mm
Optic	T.I.R.Ex. Optical PMMA HT
Gasket	Anti-aging silicone
Locking Hook	-
External screw	Stainless steel

OPTIC AND ILLUMINATING FEATURES

Optiek	Elliptical 20°x80°
Unified Glare Rating	ULOR = 0%
Lumen-vermogen (lm)	92000
Efficacy (lm/W)	96
Kleur temperatuur	5700 K
Colour Rendering Index	CRI 80
Standard Deviation Colour Matching	SDCM = 3
Photobiological Risk Class	-
Standaard	EN60598-1; EN60598-2-5; IEC 62471; IEC 62778

ELECTRICAL AND LIGHTING FEATURES

Voedings-spanning	See external supply unit
Nominale frequentie (Hz)	See external supply unit
Driver	To be ordered separately
Driver failure rate	See external supply unit
Overvoltage protection	See external supply unit
Control System	See external supply unit

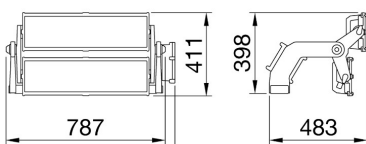
INSTALLATION AND MAINTENANCE

Mounting and installation	Lighting tower - Surface
Tilt	Rotation on bracket with integrated goniometer
Wiring	Watertight connector between floodlight and power supply unit
Bevestiging	Beugel
Light source replaceability	By professional
Controlgear replaceability	By professional

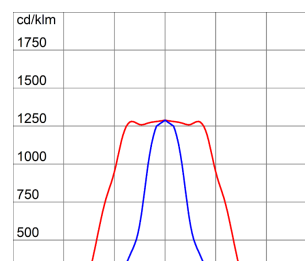
STANDARDS AND APPROVALS

Classificering	-	Extern
Toestel met verlaagde oppervlaktetemperatuur	-	0,24 m2
DIN 18032-3-certificering	-	-
IPEA	-	-
Isolatie-klasse	I	-
IP-graad	IP66	-
Stootbestendigheid	IK08	-
Glow Wire Test	-	-

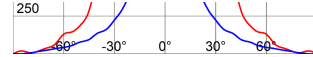
DIMENSIONAL



PHOTOMETRIC DISTRIBUTION



STADIUM PRO



TECHNICAL SYMBOLOGY



0,24 m2



IP
IP66

IK
IK08

GWT
-

STANDARDS/APPROVALS

