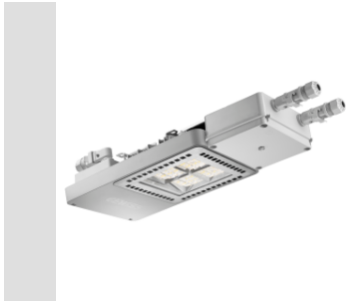


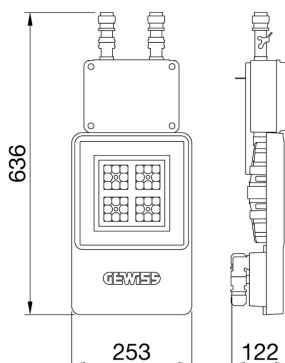
SMART[4]



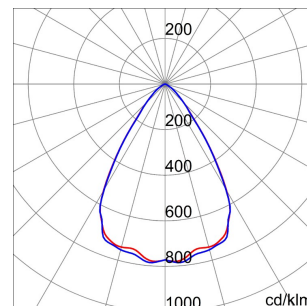
Smart [4] is a series of LED indoor appliances suitable for the lighting of industries and sports facilities. It is available in HE (High Efficiency), HLO (High Lumen Output) and integrated DALI Emergency. Three different sizes available: 1M, 2M and 4M. The body is made of "Halogen-free" nylon loaded with grey glass fibre (RAL7035) with vent and anti-condensation device, heat dissipation device in aluminium alloy EN AB 44300. It is equipped with a dual optical system that includes a metallic reflector with ARRAY optics and a metallic reflector with UV stabilized PMMA lenses, with high efficiency, which allow a wide variety of light distributions 30°, 60°, 90°, Asymmetric and Elliptical. The version with through wiring has pre-wired mechanical and electrical connection components. Suspension, wall and projection appliances can be installed. It is available with three types of Colour Temperature (3000K / 4000K / 5700K), Color Rendering Index CRI>80 and two power supply options (ON/OFF or DALI).

GENERAL INFORMATION		OPTIC AND ILLUMINATING FEATURES	
Context	Logistics and industrial manufacturing lighting	Optiek	60°
Luminaire	LED Industrial Reflector	Unified Glare Rating	UGR ? 22
Toepassing	Intern	Lumen output (lm)	7700 (950 Em.)
Unique digital code (Datamatrix)	Datamatrix	Efficacy (lm/W)	160
Kleur	Grijs RAL 7035	Kleur temperatuur	5700 K
Type lichtbron	LED	Colour Rendering Index	CRI>80
System power	48 W (+5W Emerg.)	Standard Deviation Colour Matching	SDCM = 3
LED Lifetime	L90B10(Tq25°C)>150.000h; L90B10(Tq40°C)=140.000h	Photobiological Risk Class	RG0
Gewicht (kg)	5	Standaard	EN 60598-2-22 ; EN 60598-1 ; EN 60598-2-24
Garantie	5 jaar	ELETRICAL AND LIGHTING FEATURES	
Opslagtemperatuur	-40 +70 °C	Voedings-spanning	220 - 240 V
Operating temperature	0 ÷ +40 °C	Nominale frequentie (Hz)	50/60 Hz
MATERIALS		Driver	Included
Body	PA6 "Halogen Free" loaded fibreglass	Driver failure rate	F10=100.000h Tq25°C/50.000h Tq40°C
Type plaat	Tempered glass Thickness 4mm	Overvoltage protection	DM 6 kV / CM 10 kV
Optic	Metallic PC reflector and PMMA lenses	Control System	1 x DALI DT6 + 1 x DALI DT1 (Emerg. 3h)
Gasket	anti-aging silicone	INSTALLATION AND MAINTENANCE	
Locking Hook	-	Mounting and installation	Ceiling light - Suspension
External screw	Roestvrij staal	Tilt	-
Colour	Grijs RAL 7035	Wiring	With GW connect watertight connector
STANDARDS AND APPROVALS		Bevestiging	-
Classificering	-	Light source replaceability	By professional
Toestel met verlaagde oppervlaktetemperatuur	Ja	Controlgear replaceability	By professional
DIN 18032-3-certificering	-	Driver Box	Ingebouwd
IPEA	-	Maximum surface exposed to the wind	0,140 m²
Isolatie-klasse	I		-
IP-graad	IP65		-
Stootbestendigheid	IK08		-
Glow Wire Test	850 °C		-

DIMENSIONAL



PHOTOMETRIC DISTRIBUTION



SMART[4]

TECHNICAL SYMBOLOGY



0,140 m²



IP
IP65

IK
IK08

GWT
850 °C

STANDARDS/APPROVALS

