

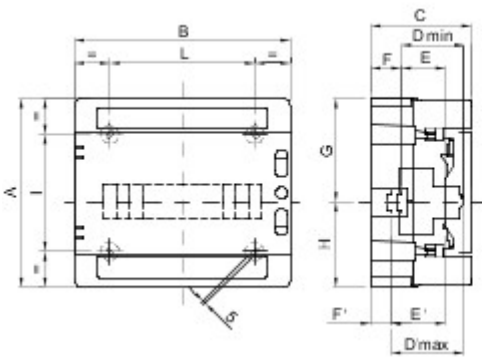


IP65 range of watertight enclosures from 4 to 72M with smoked transparent door. The main technical features are: reversible front and back panel, removable frames and panels with windows and detachable doors with up to 180° opening and lock accessory. The enclosures can be equipped with bipolar and unipolar terminal blocks, 80 A and 125 A, with screw wiring; they allow to create simple and neat wiring reducing the set-up time of the enclosure.

Isolatie-klasse	II (conform de norm IEC 61140)		Kleur	Grijs RAL 7035
Buitenafm. LxHxD (mm)	143x210x100	IP-graad	IP65	
Vermogen-verspreiding (W)	13	Stootbestendigheid	IK09	
Nominale spanning	400 V	Aantal modules EN 50022	4	
Nominale stroom	125 A	Gloeidraadproof	650 °C	
Bedrijfstemperatuur	-25 +60 °C	Isolatiespanning (Ui)	1000 V	
Type materiaal	Halogeenvrij conform EN 60754-2	Electrocod	0321	
Thermospanning met kogel	70 °C	Standaard	EN 60670-1 (CEI 23-48) IEC60670-24 CEI 23-49	
Isolatie-spanning	1000 V conform EN 62208 zowel bij AC als DC			

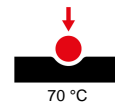
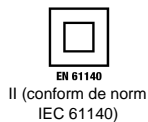


DIMENSIONAL



	A	B	C	Dmin	E	F	G	H	Dmax	E'	F'	NR	I	L
4M GW40101	210	143	100	75	48	15	105	105				3	156	67

TECHNICAL SYMBOLOGY



STANDARDS/APPROVALS

