

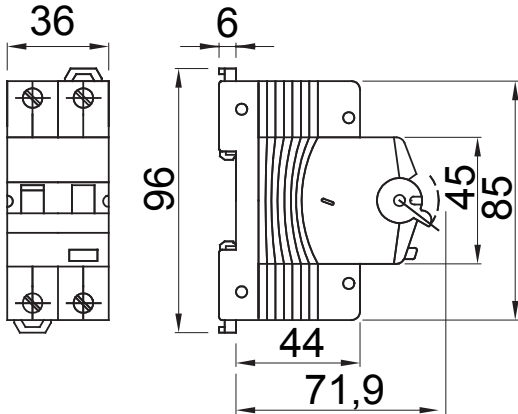


|   |                                  |
|---|----------------------------------|
| Description                               | RCCB WITH OVERCURRENT PROTECTION |
| Code                                      | MDC 100                          |
| No. of poles                              | 2P                               |
| No. modules                               | 2                                |
| Rated current                             | 13 A                             |
| Rated residual operating current          | 30 mA                            |
| Type                                      | F                                |
| Curve                                     | B                                |
| Rated voltage (IEC/EN 61009-1, 61009-2-1) | 230/240 V                        |
| Energy limiting class                     | 3                                |

|   |  |  |                                   |
|---|--|--|-----------------------------------|
| Standard                                    | IEC/EN 61009-1, IEC/EN 61009-2-1, IEC/EN 62423 | Rated frequency (Hz)                   | 50/60 Hz                          |
| Breaking capacity IEC/EN 61009-1 230V (Icn) | 10000 A  | Breaking capacity IEC/EN 61009-1 (Ics) | 0.75 x Icn                        |
| Breaking capacity IEC/EN 60947-2 230V (Icu) | 15 kA  | Breaking capacity IEC/EN 60947-2 (Ics) | 50% Icu                           |
| Insulation voltage (Ui)                     | 500 V  | Level of immunity (8/20 μs)            | 3000 A                            |
| Rated impulse withstand voltage (Uimp)      | 4 kV   | Overvoltage category                   | III                               |
| Electrical endurance                        | 10.000   | Mechanical endurance                   | 20.000                            |
| Section rigid cable                         | <=1x35 - <=2x16 - <=1x16+2x10 mm²              | Section flexible cable                 | <=1x35 - <=2x16 - <=1x16+2x10 mm² |
| Double connection                           | YES (only down stream)                         | Rated tightening torque                | 2 Nm                              |
| Operating temperature                       | -25 +60° C (derating of In with T>30° C)       | Stocking temperature                   | -40°C ÷ +70°C                     |
| Auxiliaries compatibility                   | Yes  | ReStart compatibility                  | Yes                               |
| Assembly position                           | Any  |  |                                   |

### DIMENSIONAL

### WIRING DIAGRAM



### STANDARDS/APPROVALS



GEWISS S.p.A. Via A. Volta, 1  
24069 Cenate Sotto - Bergamo - Italy  
tel. +39 035 94 61 11 fax +39 035 94 69 09  
Company subject to the management and  
coordination of Polifin S.p.A.

www.gewiss.com  
sat@gewiss.com  
Last update 08/07/2026

Data, measures, designs and pictures are shown  
only as informative purposes,  
and could be changed without previous notice