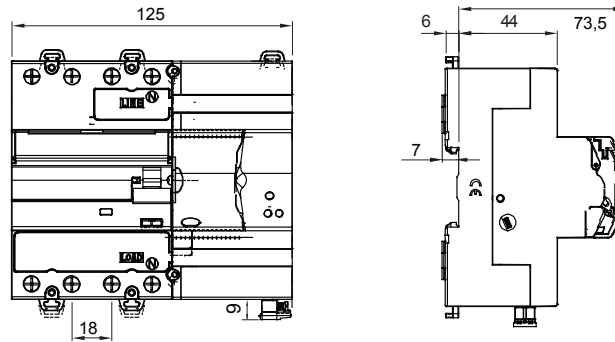




Description Automatic reclosing device
 Code ReStart Autotest PRO 4P
 Rated voltage AC 400 V
 Rated current 63 A
 No. modules 7
 Standard IEC EN 63024, IEC EN 61008-1, IEC EN 61008-2-1
 Rated frequency (Hz) 50 Hz
 Distribution system TT - TN-S

| | | | |
|---|----------------------------------|---|------------------------|
| Rated non-operating resistance between live parts and earth (Rdo) | 2,5 kΩ | Insulation voltage (Ui) | 500 V |
| Rated operating resistance between live parts and earth (Rd) | 5 kΩ | Rated impulse withstand voltage (Uimp) | 4 kV |
| Maximum operating frequency | 30 oper./h | Overvoltage category | III |
| Mechanical endurance | 4000 | Dielectric strength test voltage between pole and earth | 2500 V ac for 1 minute |
| Type of residual current protection | A[IR] | Rated residual operating current | 300 mA |
| Operating temperature | -25 +60 °C | Stocking temperature | -40°C ÷ +70°C |
| Type of contacts | Photomos (potential free) | Voltage operating | 5-230 V ac/dc |
| Current operating | 0.6 mA (min)-100 mA cosφ=1 (max) | Operating frequency | 50 Hz |
| Use category | AC12 | Operating modes | NO/NC/NC + pulse |
| Rated tightening torque | 0,4 Nm | Terminal section | ≤ 2,5 mm² |
| Automatic reclosure for untimely tripping | Yes | Earth failure test | Yes |
| Continuous system monitoring | Yes | Autotest (automatic RCCB protection test) | Yes |
| Completeable with | GW90992 RS485 BUS Module | Number of poles | 4P |
| Electrocod | 1414 | | |

DIMENSIONAL



STANDARDS/APPROVALS

