



70 RT HP is a complete offer of rotary isolator switches from 16 A to 160 A, available in boxes both in insulating material and aluminium, in control or emergency versions, compatible with the main applications for residential, tertiary and industrial contexts.

DC versions for photovoltaic applications are also available from 16 A to 40 A in insulating box.

The series is completed with versions for board from 16 A to 1000 A and for DIN rail fixing from 16 A to 63 A, which can be equipped with auxiliary contacts.

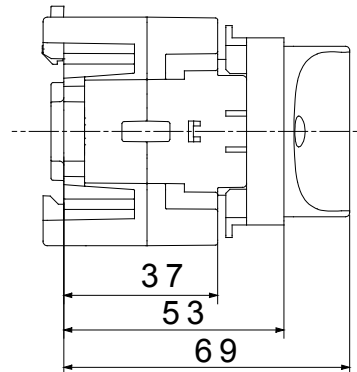
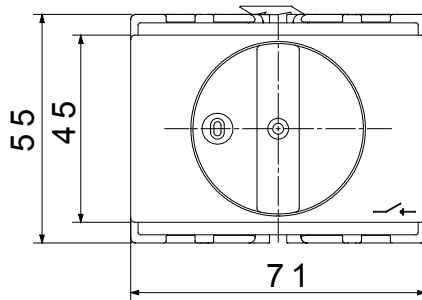
The devices have been designed to reduce wiring time, facilitate installation and guarantee the maximum safety and robustness even in the most demanding conditions.

ELECTRICAL CHARACTERISTICS

- Caractéristiques fonctionnelles

| Organe de coupure | Interrupteur-sectionneur rotatif | Versions | Pour fixation sur rail DIN |
|-------------------------|----------------------------------|--------------------|--|
| Courant nominal (A) | 32 | Nb mod. EN 50022 | 4 |
| Nombre de pôles | 4P | Type | Commande |
| Courant en AC21A (415V) | 32 | Couleur poignée | Noir |
| Courant en AC22A (415V) | 32 | Verrouillable | Non |
| Courant en AC23A (415V) | 32 | ACCESSORIES | - |
| Section des câbles | 1-10 mm ² | Type d'accessoire | Max. 2 contacts auxiliaires (1 par côté) |

DIMENSIONS



NORMES ET HOMOLOGATIONS

