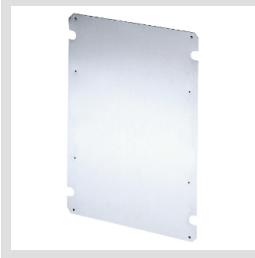


Product Data Sheet

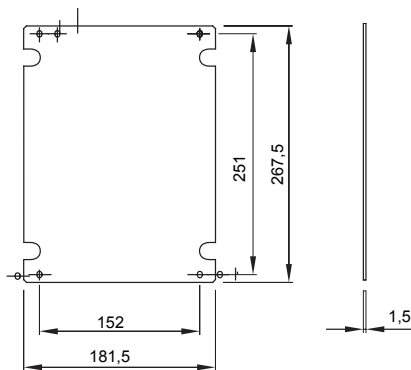
GW44637

46 Range



For boards LxH (mm)	236x316	For boards	44 CEP
Type of material	Galvanized metal	Electrocod	1320

DIMENSIONAL



STANDARDS/APPROVALS



GEWISS S.p.A. Via A. Volta, 1
24069 Cenate Sotto - Bergamo - Italy
tel. +39 035 94 61 11 fax +39 035 94 69 09
Company subject to the management and
coordination of Polifin S.p.A.

www.gewiss.com
sat@gewiss.com
Last update 11/07/2026

Data, measures, designs and pictures are shown
only as informative purposes,
and could be changed without previous notice