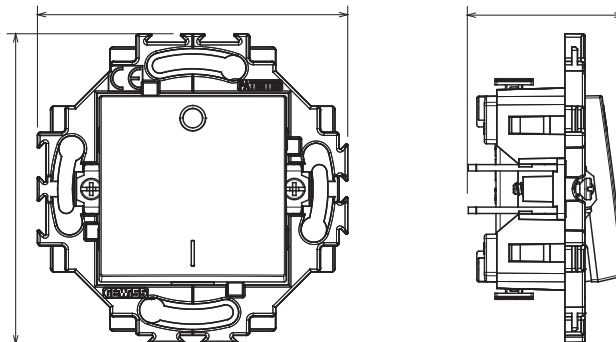


Residential series suitable for installations on round and square boxes, characterised by an elegant appearance and classic shapes. The plates, made of technopolymer in seven colours and with different modularities, from 1 to 5-gang, can be installed in both horizontal and vertical positions. The series, developed around a core of monobloc devices, is available in two colours: white and ivory, both with a glossy finish. Expandable with ChorusSmart modular devices.

Category	Switch	Button key	Neutral
Symbol	0/1	Colour	Ivory
Material	Technopolymer	Finishing	Glossy
Description	2P - 10 AX illuminable	Voltage	250 V ac
Type of terminals	Screwless	Fixing	With clutches/Screws
Rated power of 230V LED lamps	100 W	Glow wire test	850 °C
Thermo-pressure with ball	125 °C	Resistance at test voltage	2000 V at 50 Hz for 1 minute
Insulation resistance	> 5 MOhm	Prolonged operation switch (no.of position changes)	40.000 at In 250 V ac cosφ=0,6
Terminal grip on cable traction	30 N	Terminal tightening capacity	0,5-2x2,5 mm² rigid cables
Standard	EN 60669-1; 2014/35/EU		

DIMENSIONAL

3.97



TECHNICAL SYMBOLOGY



STANDARDS/APPROVALS

