



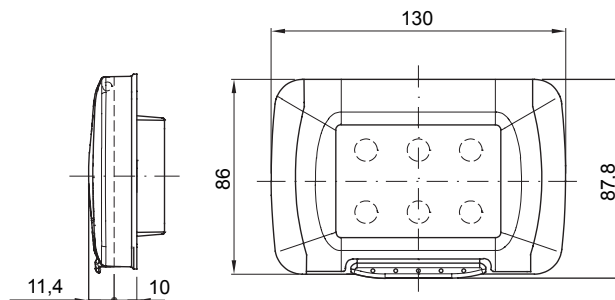
Watertight plates IP55 System range for rectangular (3 and 4 modules) flush mounting boxes. Watertight plates self-supporting for the installation of System range devices. Ergonomic membrane, opening facilitated by a comfortable handle. IP55 degree guaranteed with closed lid and watertight plate mounted on smooth and waterproof walls, without grooves.

Description	3 modules	Colour Plate	Black
Finishing	Glossy	Material	Technopolymer
IP degree	IP55 (with closed lid)	Lid	With membrane
Membrane color	Transparent	For flush mounting box	Rectangular 3 modules
Fixing	2 screws (included)	Type of screw	6/32 x 18 mm
Screw material	Galvanised steel	Included support	Self-supporting
Gasket	Vulcanized expanded rubber	Glow Wire Test	650 °C
Thermo-pressure with ball	70 °C	Standard	EN 60669-1
Operating temperature	-25 +60 °C	UV resistance	Yes (ISO 4892-2)
Maximum opening angle lid	100°	Electrocod	0110

#### BEHAVIOUR WITH CHEMICAL AND ATMOSPHERIC AGENTS

Saline solution	Acids		Bases		Solvents				Mineral oil	UV rays
	Concentrated	Diluted	Concentrated	Diluted	Hexane	Benzol	Acetone	Alcohol		
Resistant	Limited resistance	Resistant	Resistant	Resistant	Limited resistance	Not resistant	Not resistant	Not resistant	Limited resistance	Resistant

#### DIMENSIONAL



#### TECHNICAL SYMBOLOGY

IP

GWT



IP55 (with closed lid)

650 °C

70 °C

-25 +60 °C

#### STANDARDS/APPROVALS



GEWISS S.p.A. Via A. Volta, 1  
24069 Cenate Sotto - Bergamo - Italy  
tel. +39 035 94 61 11 fax +39 035 94 69 09  
Company subject to the management and  
coordination of Polifin S.p.A.

www.gewiss.com  
sat@gewiss.com  
Last update 01/06/2026

Data, measures, designs and pictures are shown  
only as informative purposes,  
and could be changed without previous notice