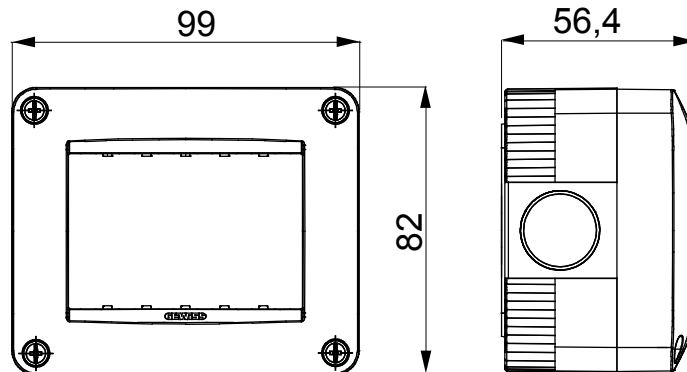




A range of tabletop panels, wall boxes and self-supporting wall enclosures suitable for housing ChorusSmart modular devices. Wall boxes and panels, available in black and white, must be completed with ChorusSmart support and One plates. The self-supporting enclosures, available in grey RAL 7035, are characterised in IP40 and IP55 versions: both have pre-cut knockouts, and the watertight version is also provided with a door with a transparent UV membrane. Self-supporting boxes and enclosures are designed to be fitted with an earth terminal.

Description	3 modules	Colour	Grey RAL 7035
No. knockout holes Ø23	3 on sides / 1 on the bottom	N. holes Ø 23 with cable gland	1
Type of knockout holes	Removable with tool	IP degree	IP40
Insulation class	II	Mechanical resistance	IK07
Lid screws	Corrosion-resistant steel	Torque screws tightening	0.8 NM
Outer dim. LxHxD (mm)	99x82x56	Glow wire test	650 °C
Thermo-pressure with ball	70 °C	Standard	EN 60670-1
Installation temperature	-25 +60 °C	Electrocod	0212

DIMENSIONAL



TECHNICAL SYMBOLOGY



IP40



IK07

GWT

650 °C



70 °C

STANDARDS/APPROVALS

