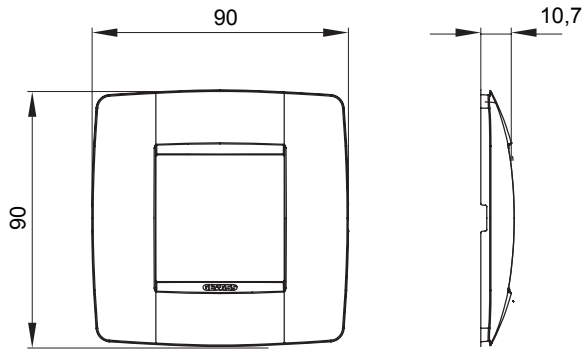




Range of ChoruSmart domestic series plates, made in a wide variety of shapes, colours, materials and finishes. It includes five different shapes (ONE, GEO, EGO, LUX, ICE and ICE Touch) for rectangular boxes with a capacity of up to 12 modules and three different shapes (ONE International, GEO International and LUX International) suitable for round/square boxes, both single and combined in horizontal or vertical configurations, with a capacity of 2 up to 2+2+2+2 modules. All ChoruSmart domestic series plates use the same supports, without the need for additional adapters. The range also includes blank plates, watertight IP55 plates and contour plates.

| | | | |
|---------------------------|-------------------|-------------------|---------------------------|
| Family | ONE International | Description | 2 modules |
| Colour | Hemp | Material | Technopolymer |
| Finishing | Glossy | For support codes | GW16821, GW16822, GW16823 |
| For box | Round/Square | Glow wire test | 650 °C |
| Thermo-pressure with ball | 70 °C | Standard | EN 60669-1 |
| Electrocod | 0110 | | |

DIMENSIONAL



TECHNICAL SYMBOLOGY



STANDARDS/APPROVALS

