

Product Data Sheet

GW12541

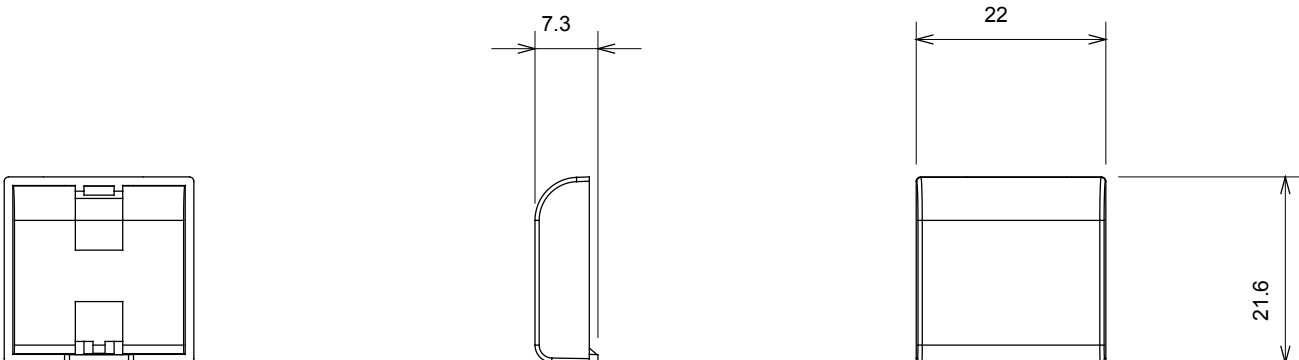
CHORUSMART - Domestic range



Wide range of control devices, sockets for power supply (conforming to national and international standards) signal pick-up, climate control, comfort management, technical alarm signalling and emergency lighting management. The ChoruSmart modular devices are available in five colours, glossy white, satin white, natural beige, satin black and lacquered titanium and in various sizes from 1/2, 1, 2 and 3 modules. Thanks to the mounting supports for rectangular, square and round boxes, endless combinations can be created with the ChoruSmart range of plates.

| Category | Replaceable button key | Type | Interchangeable |
|----------------|------------------------|---------------------------|-----------------|
| Colour | Satin black | Description | Keys 22x22 mm |
| Standard | EN 60669-1 | Thermo-pressure with ball | 125 °C |
| Glow Wire Test | 850 °C | Symbol | General |
| Material | Technopolymer | Electrocod | 0130 |

DIMENSIONAL



TECHNICAL SYMBOLOGY



STANDARDS/APPROVALS



GEWISS S.p.A. Via A. Volta, 1
24069 Cenate Sotto - Bergamo - Italy
tel. +39 035 94 61 11 fax +39 035 94 69 09
Company subject to the management and
coordination of Polifin S.p.A.

www.gewiss.com
sat@gewiss.com
Last update 28/06/2026

Data, measures, designs and pictures are shown
only as informative purposes,
and could be changed without previous notice