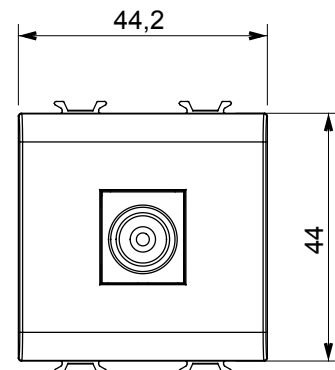
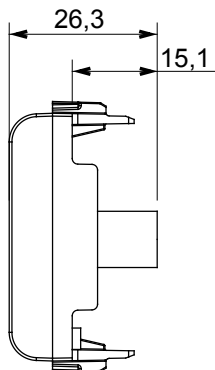
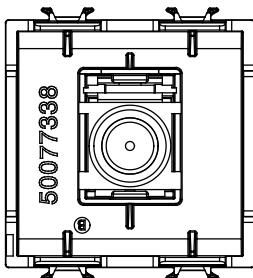




Wide range of control devices, sockets for power supply (conforming to national and international standards) signal pick-up, climate control, comfort management, technical alarm signalling and emergency lighting management. The ChoruSmart modular devices are available in five colours, glossy white, satin white, natural beige, satin black and lacquered titanium and in various sizes from 1/2, 1, 2 and 3 modules. Thanks to the mounting supports for rectangular, square and round boxes, endless combinations can be created with the ChoruSmart range of plates.

|                    |                       |              |                   |
|--------------------|-----------------------|--------------|-------------------|
| Category           | TV socket-outlet      | Description  | Direct            |
| Colour             | Satin black           | Attenuation  | 0 dB              |
| Frequency          | 5-2400 MHz            | Shielding    | Class A           |
| For connector type | IEC-Male              | Standard     | IEC 61169-2       |
| No. modules        | 2                     | Cable fixing | Pressure-operated |
| Case               | Plastic material body | Electrocod   | 0131              |
| Material           | Technopolymer         |              |                   |

### DIMENSIONAL



### STANDARDS/APPROVALS

