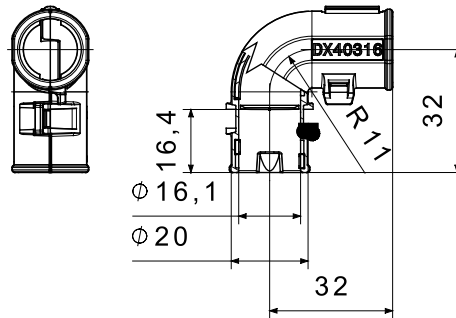




Routing components for rigid protective conduits with IP40 and IP67 protection degree.

GENERAL INFORMATION		MECHANICAL AND FUNCTIONAL CHARACTERISTICS	
Standard	EN 61386-1 (when applicable)	Conduits Ø (mm)	16
Type	Rigid conduit accessories	Operating temperature	-5 +60 °C
Description	Inspectable bend	IP degree	IP40
Type of material	Halogen free in compliance with EN 50642	Glow Wire Test	750 °C
Colour	Grey RAL 7035		

DIMENSIONAL



TECHNICAL SYMBOLOGY



STANDARDS/APPROVALS

